



Birlea

Suppliers of inspiration

Assembly Instructions

Thank you for
purchasing a
Birlea product.

For a chance to win a *Love 2 Shop* voucher simply post a picture of your new product on your preferred social channels tagging Birlea Furniture and using the hashtag **#ShareYourStyle** and **#Birlea**. One winner will be selected at random each month.

To view our full terms and conditions please visit our website. www.birlea.com

Are you happy with your purchase?

Yes: That's great, we would love to hear more from you. Please leave us a review on our social media channels or Trustpilot. Your feedback will be greatly appreciated.

No: If for any reason there is something missing, indifferent or incorrect with your order, please contact the retailer you purchased the item from. We will work with the retailer to resolve your issue as quickly as possible.



www.birlea.com



Birlea

Suppliers of inspiration

Assembly Video

For a step by step guide on how to build our Lynx 3 Drawer Dressing Table visit our YouTube channel 'BirleaFurnitureLtd' or alternatively scan the QR code on your smart phone.



How to scan a QR code from an apple device

Step One: Open up the camera app

Step Two: Hold the device's camera up to the QR code

Step Three: Your Apple device will automatically recognise the QR code and provide you with a link to the video.

How to scan a QR code from an android device

Step One: Download the QR Code reader application from the Play Store.

Step Two: Open the QR code application and open the camera.

Step Three: Your Android device will automatically recognise the QR code and provide you with a link to the video.

How to scan a QR code from a Window's device

Step One: Open up the camera app

Step Two: Hold the device's camera up to the QR code

Step Three: Your Window device will automatically recognise the QR code and provide you with a link to the video.

Please ensure that you device is up to date with the latest operating system.



Birlea

Suppliers of inspiration

Vendor: S000139



ASSEMBLY INSTRUCTIONS **LYNX 3 DRAWER DRESSING TABLE**

IMPORTANT: READ THESE INSTRUCTIONS CAREFULLY BEFORE ATTEMPTING TO ASSEMBLE OR USE YOUR LYNX 3 DRAWER DRESSING TABLE.

PLEASE KEEP THESE INSTRUCTIONS FOR FUTURE REFERENCE.

ASSEMBLY:

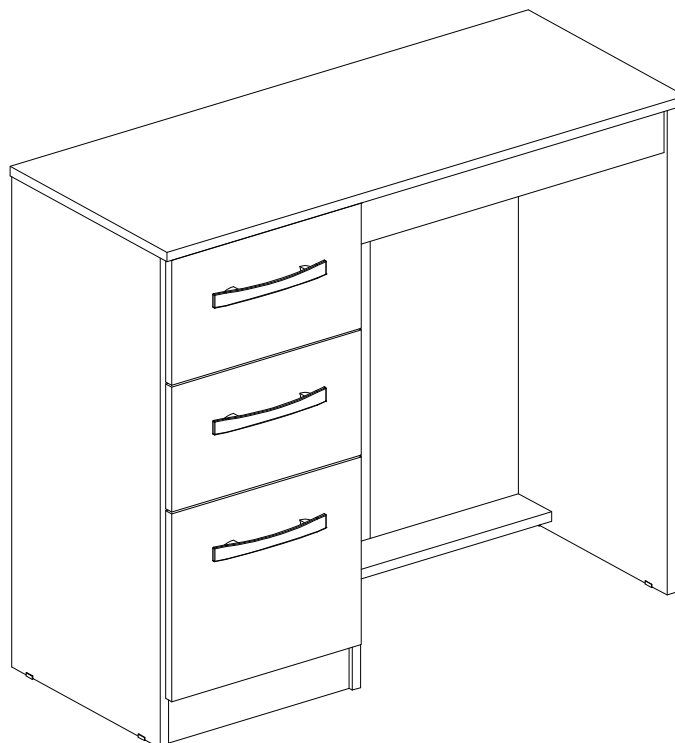
Assembly should be carried out with this item laying flat, not standing upright.
Assemble on a soft, clean surface to prevent damages.
To erase the numbers printed on the pieces, use the rubber into the accessories pack.

HEALTH & SAFETY:

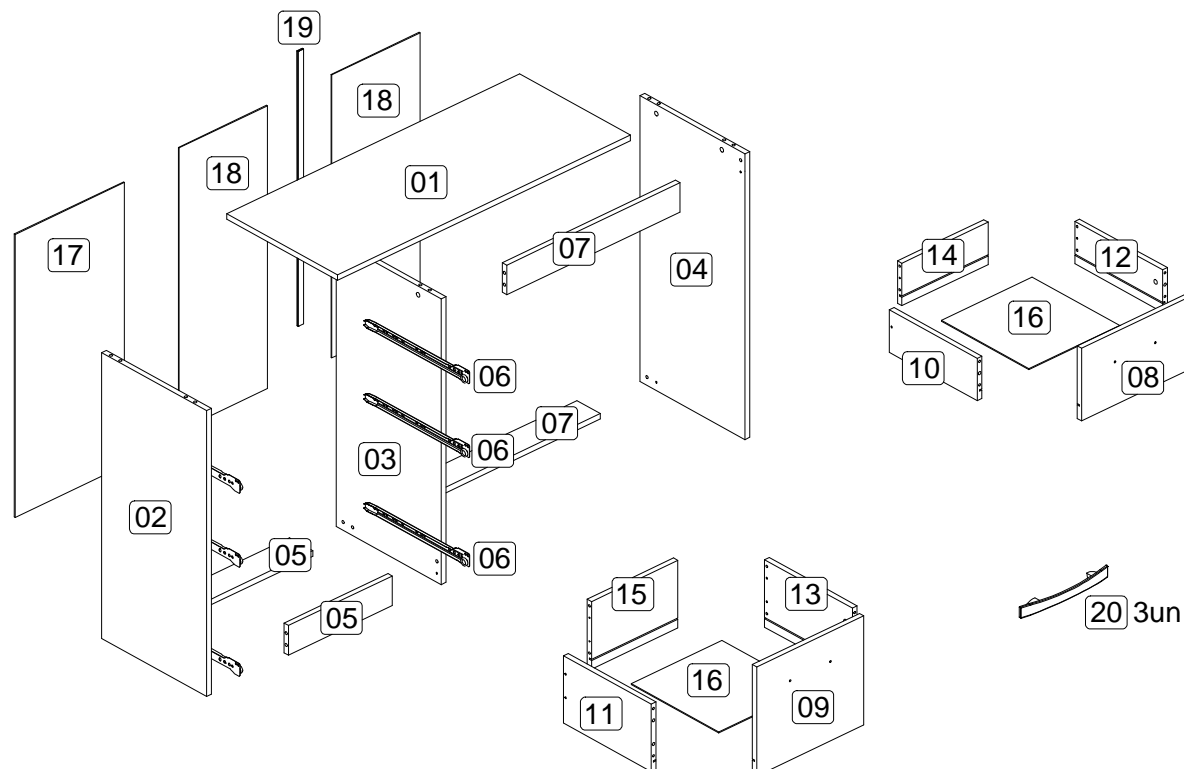
DO NOT use this dressing table if any parts are missing, damaged or worn.
DO NOT use this dressing table unless all fixings are secured.
Always use on a level, even surface.

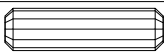
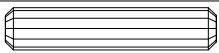
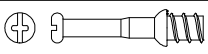
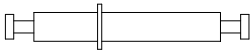




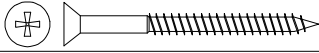

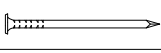

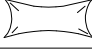
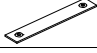
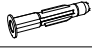
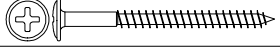
CARE & MAINTENANCE:

Periodically check all screws & fixings to ensure they are secure.
DO NOT push the dressing table as this will damage base.
Always lift the dressing table with two people to reposition.
Keep any sharp objects away from the dressing table.

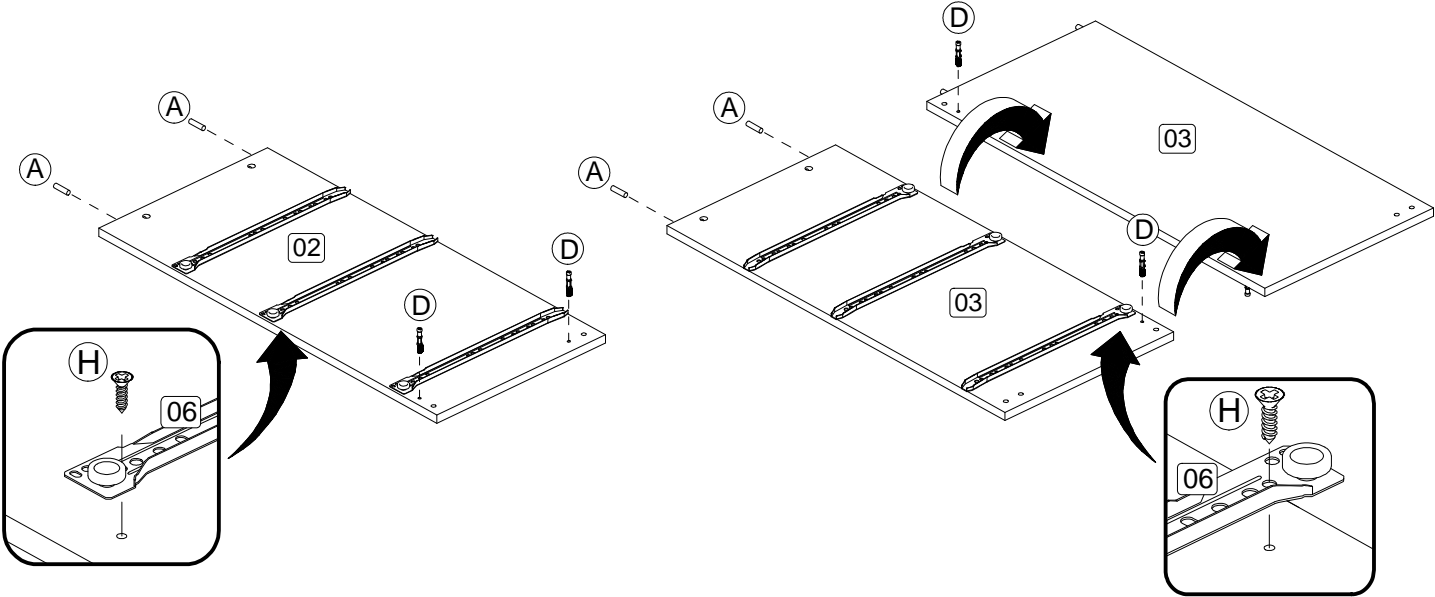


www.birlea.com

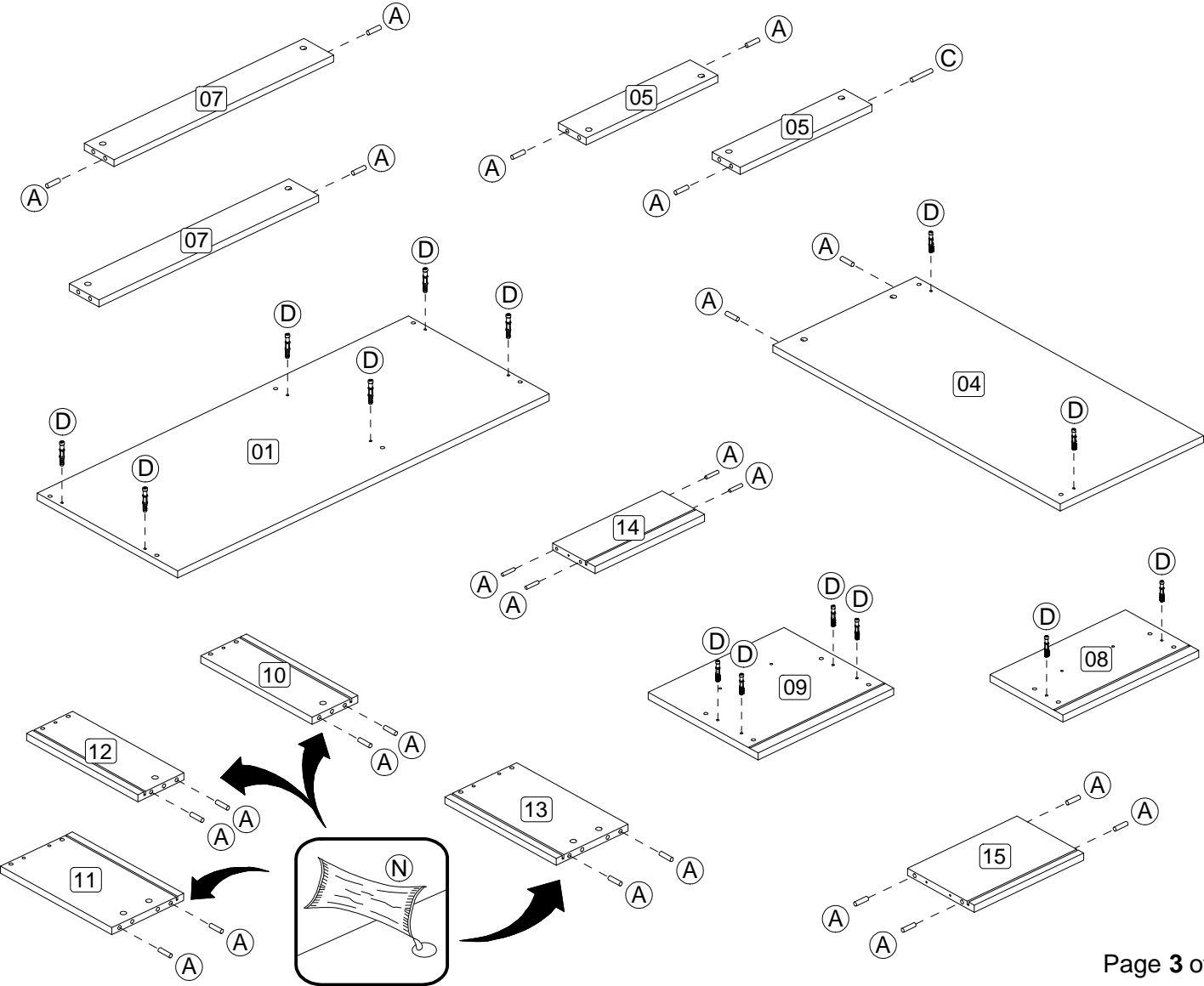


Parts List			Hardware List		
Part	Description	Qty	Part	Description	Qty
01	Top Panel	1	A	8 x 30mm Wooden Dowel 	36
02	Left Panel	1	C	8 x 50mm Wooden Dowel 	1
03	Centre Panel	1	D	Simple Minifix Screw 	20
04	Right Panel	1	E	Double Minifix Screw 	1
05	Plinth	2	F	Cam Lock 	22
06	Drawer Runners	3	G	Plastic Cap 	8
07	Supports	2	H	3 x 14mm Screw 	25
08	Small Drawer Front	2	I	3.5 x 25mm Screw 	6
09	Large Drawer Front	1	J	4.5 x 45mm Screw 	8
10	Left Panel – Small Drawer	2	K	Small Plastic Foot 	6
11	Left Panel – Large Drawer	1	L	10 x 10mm Tack 	40
12	Right Panel – Small Drawer	2	M	Metal Claw 	5
13	Right Panel – Large Drawer	1	N	Glue 	1
14	Small Drawer Back	2	O	Strap 	1
15	Large Drawer Back	1	P	Bushing 	1
16	Drawer Base	3	Q	5 x 60 mm Screw 	1
17	Left Back Panel	1	** You will need a small mallet and a screwdriver for assembly. ** Some screws and wooden dowel may remain.		
18	Back Panel	2			
19	Spine	1			
20	Handles	3			

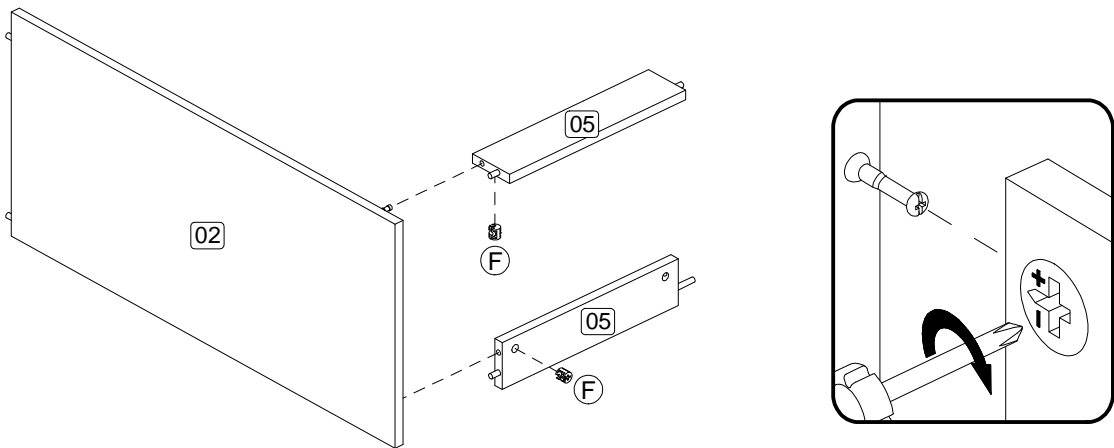
Step 1: Attach the drawer runners (6) to the left panel (2) and inside of the centre panel (3) using hardware part H. Insert hardware parts A and D into each panel using a small mallet and screwdriver (not provided). **DO NOT use any power tools as this may damage the frame and will invalidate any claim.**



Step 2: Insert hardware parts A, C and D as shown using hardware part N, a small mallet and a screwdriver (not provided). **DO NOT use any power tools as this may damage the frame and will invalidate any claim.**

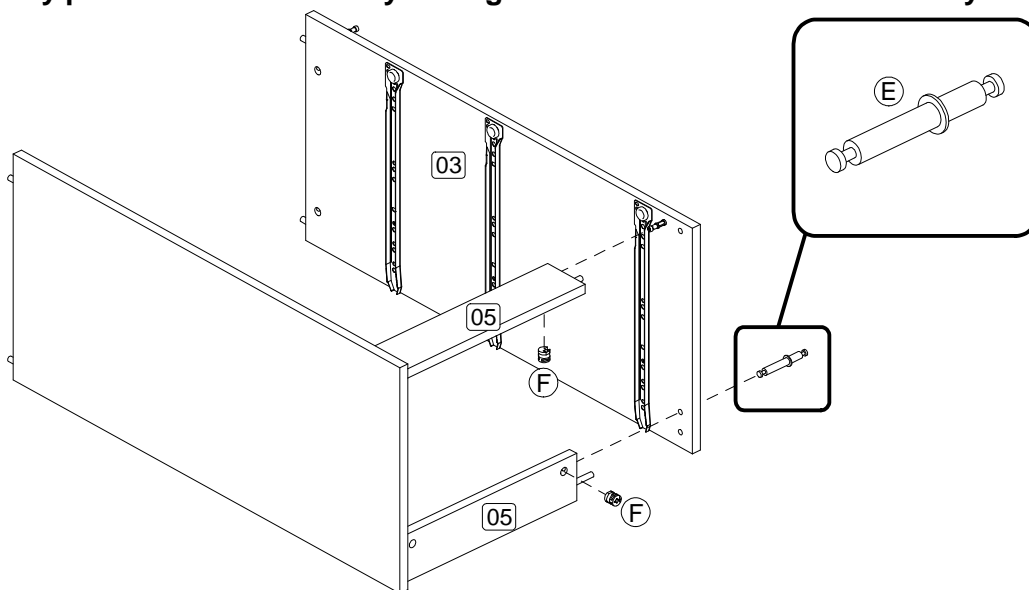


Step 3: Attach the plinths (5) to the left panel (2) using hardware parts D and F with a screwdriver (not provided). **DO NOT use any power tools as this may damage the frame and will invalidate any claim.**



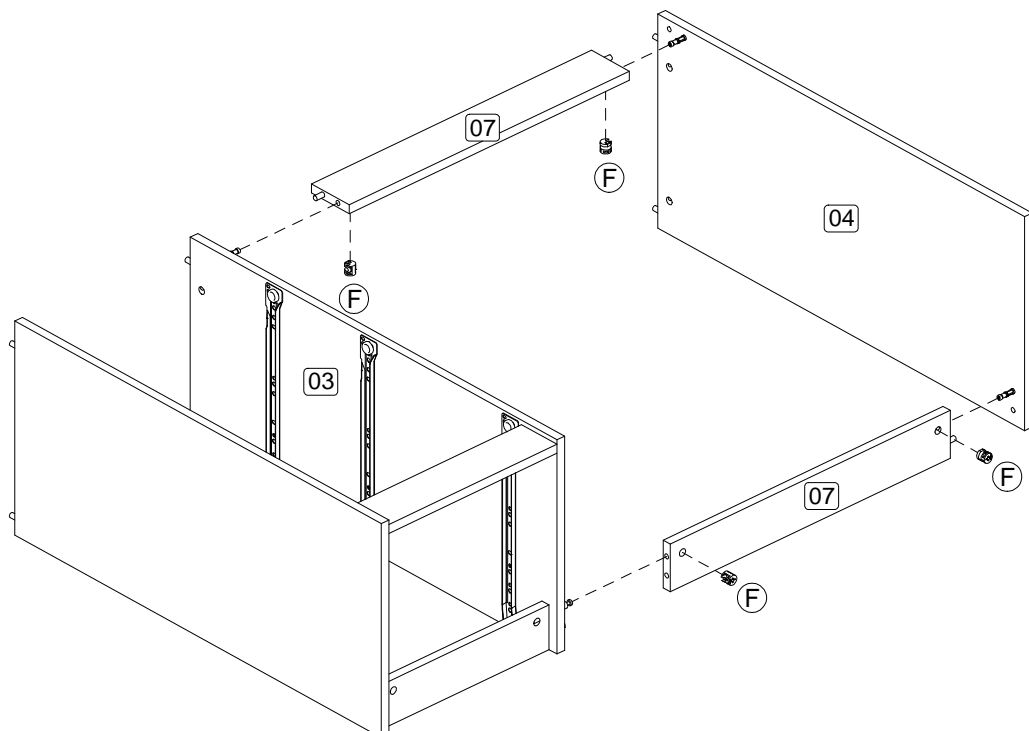
Step 4: Attach the centre panel (3) to the plinths (5) using hardware parts E and F with a screwdriver (not provided).

DO NOT use any power tools as this may damage the frame and will invalidate any claim.



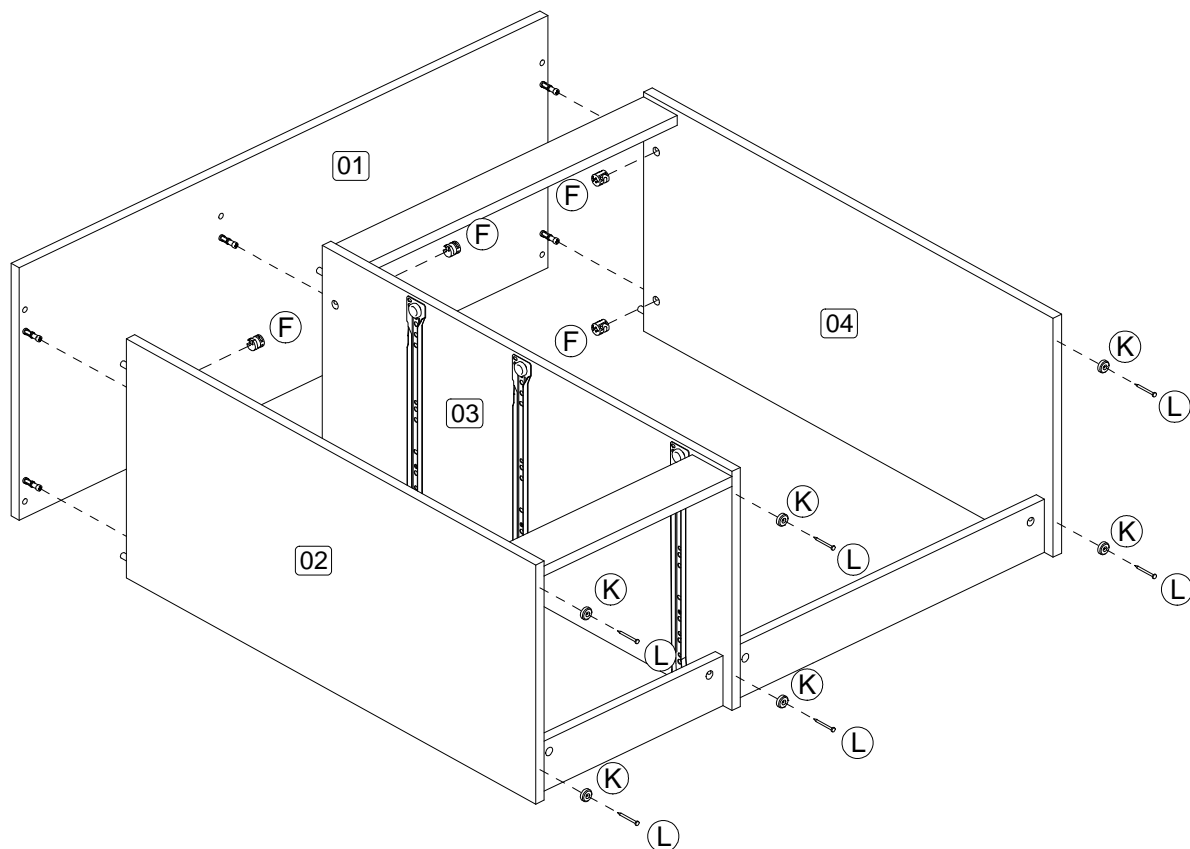
Step 5: Attach the supports (7) to the centre panel (3) then attach the right panel (4) using hardware part F and a screwdriver (not provided).

DO NOT use any power tools as this may damage the frame and will invalidate any claim.



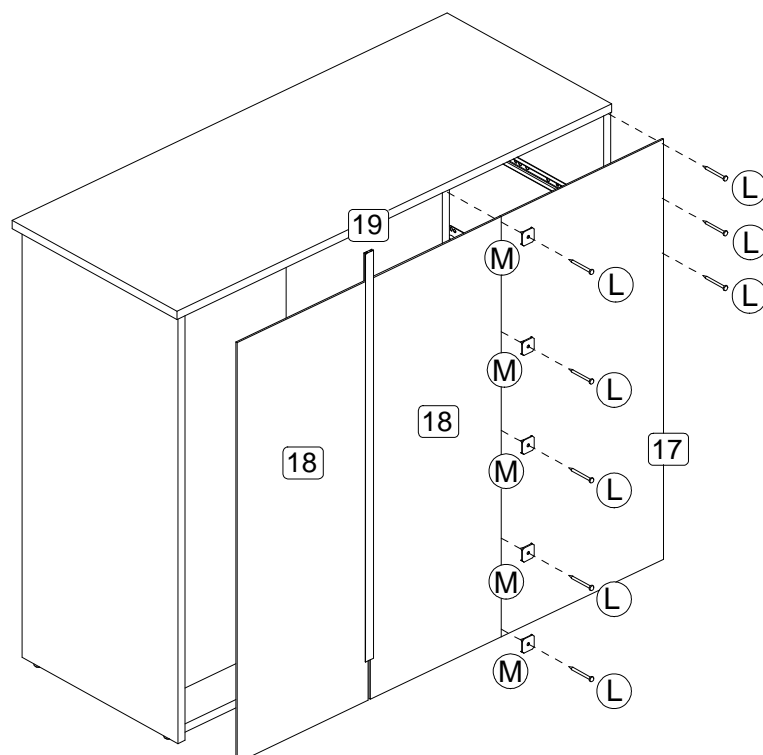
Step 6: Attach the top panel (1) using hardware part F, then attach hardware part K to the base using hardware part L. You will need to use a screwdriver (not provided).

DO NOT use any power tools as this may damage the frame and will invalidate any claim.



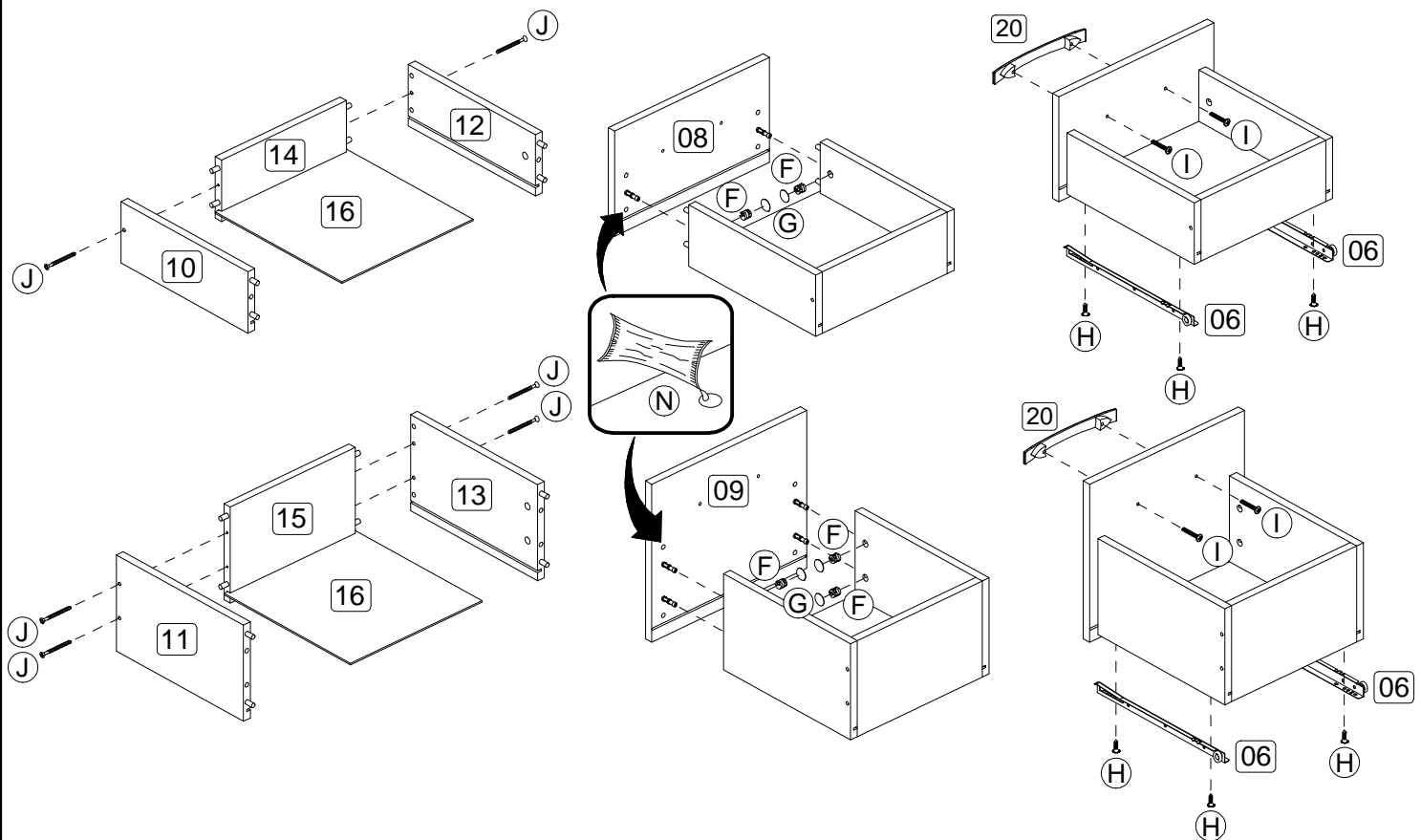
Step 7: Secure the back panel (17) using hardware part L, then connect the remaining back panels (18) using the spine (19) and secure using hardware parts L and M. You will need to use a screwdriver (not provided).

DO NOT use any power tools as this may damage the frame and will invalidate any claim.



Step 8: Assemble the drawer components using hardware parts F, G, H, I, J and N. You will need to use a screwdriver (not provided).

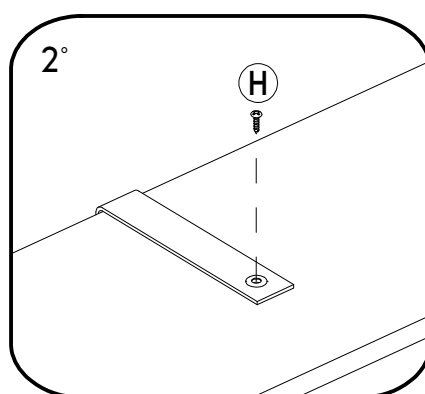
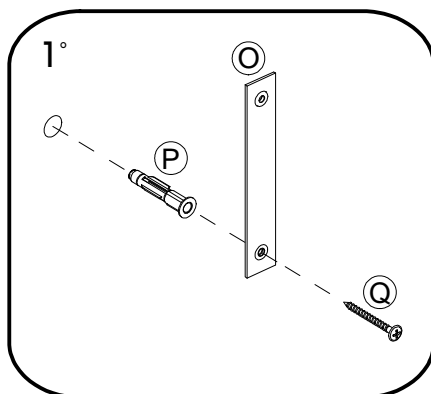
DO NOT use any power tools as this may damage the frame and will invalidate any claim.



Step 9: To secure the item to the wall use hardware parts O, P and Q using a screwdriver (not provided). Then attach hardware part H to the item with a screwdriver (not provided).

DO NOT use any power tools as this may damage the frame and will invalidate any claim.

Birlea Furniture advise you use the wall straps provided to further enhance the safety of this product



Additional Information:

- For complete product information, images and dimension diagrams please visit the website www.birlea.com
- If you have any issues with your item please contact the retailer directly you purchased it from who will be able to resolve any issues with Birlea.
- Why don't you send us photos of your assembled furniture to info@birlea.com to be shared in our #birleahome feature on Instagram.



Birlea

Suppliers of inspiration