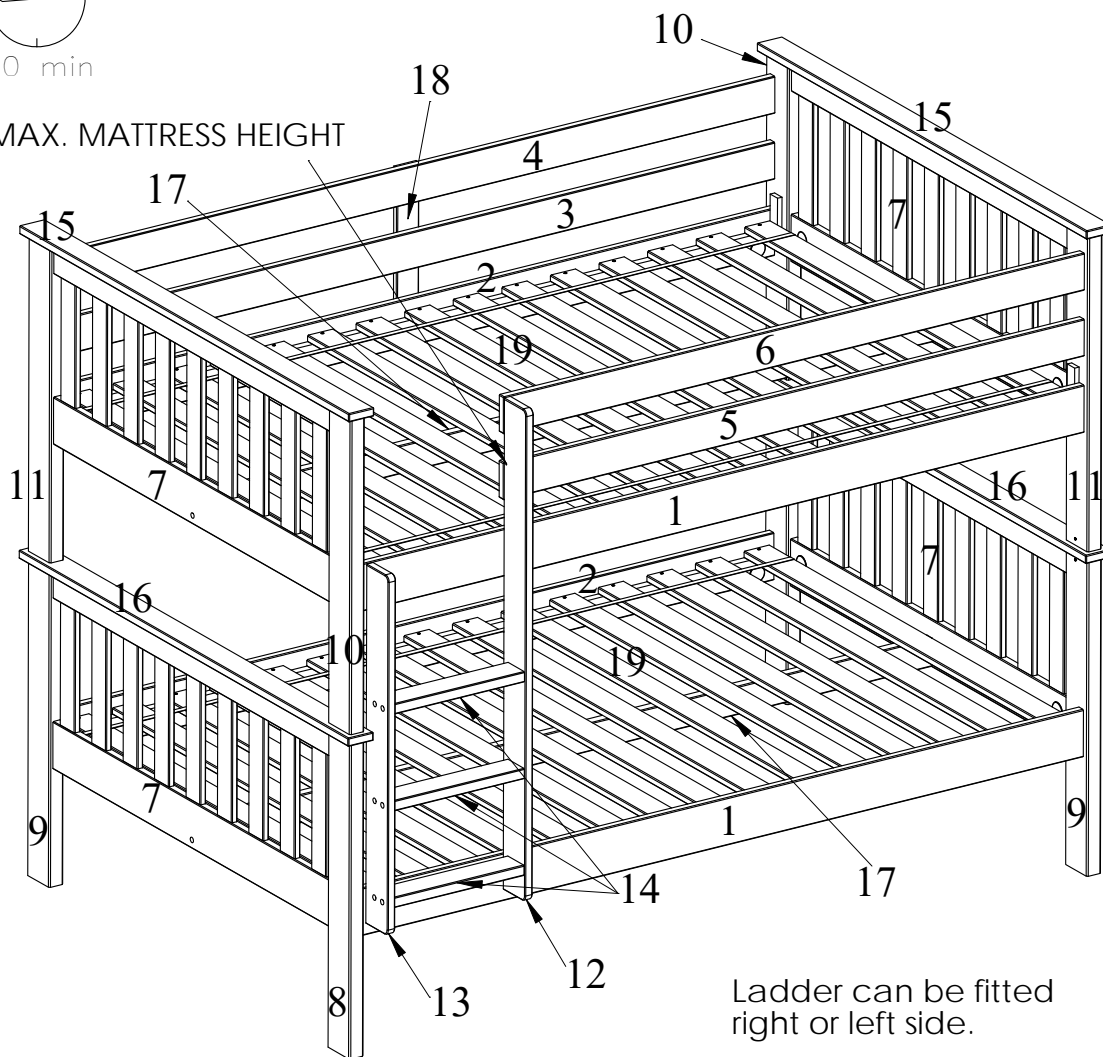
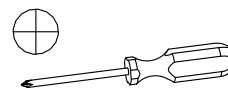
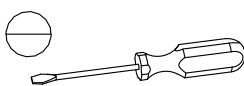
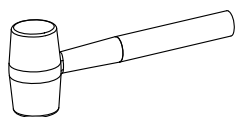


MAX. MATTRESS HEIGHT



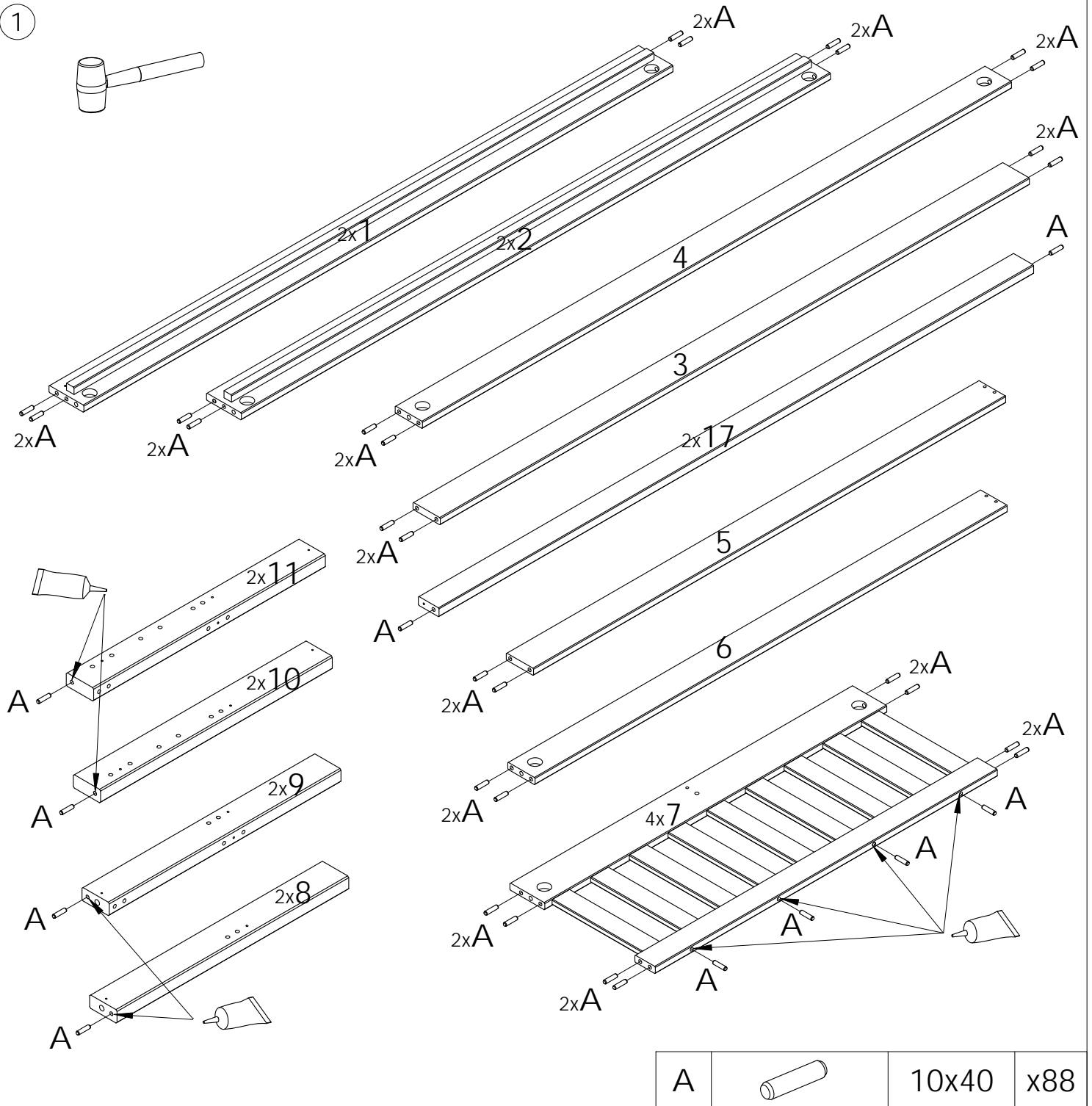
Tools needed (not supplied)



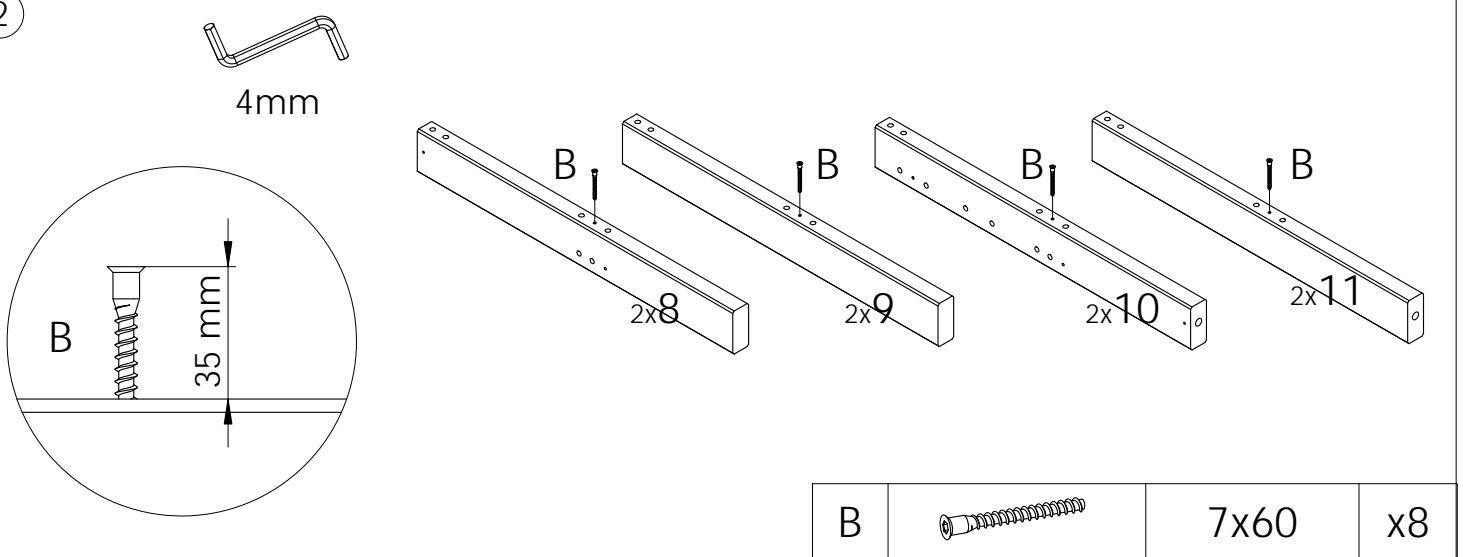
A		10x40	x88
B		7x60	x23
C		D35	x19
D		15x80	x4
E		4,2x35	x8
F		7x50	x12
G		55x12,2x5	x8
H		3,5x40	x60
J		5x30	x6

K		D5x8	x2
L		D10x15	x8
M		D15x18	x4
N		D4x13	x16
P		D35x40	x19
Q		4mm	x1
R		80x30x12	x2
S		GLUE	x1

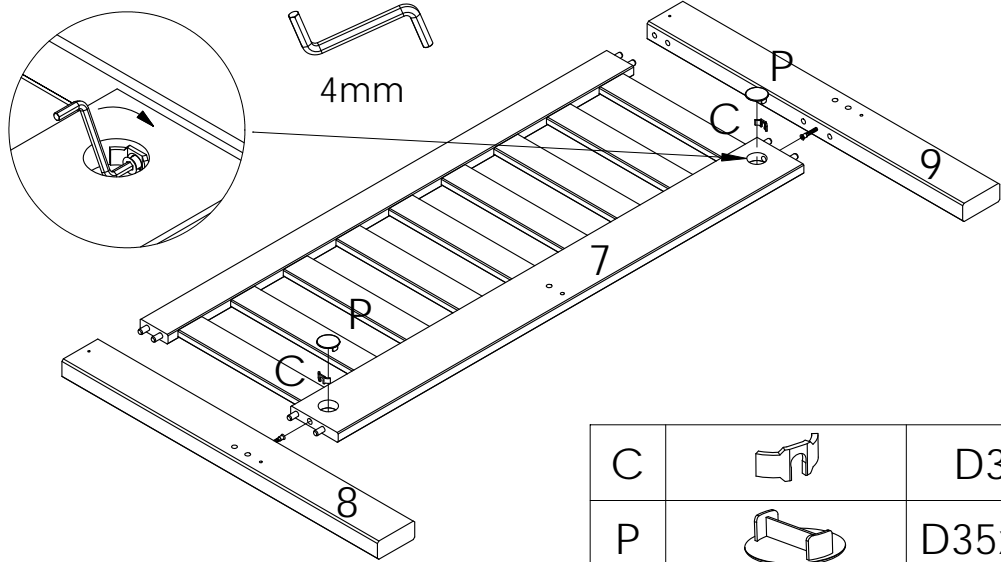
1



2

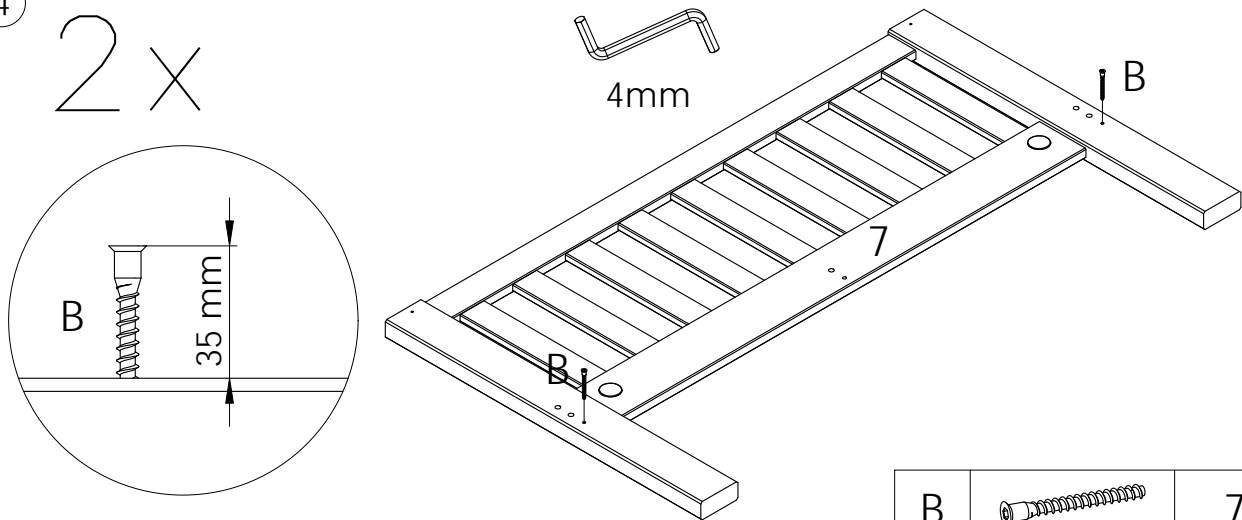


③ 2x



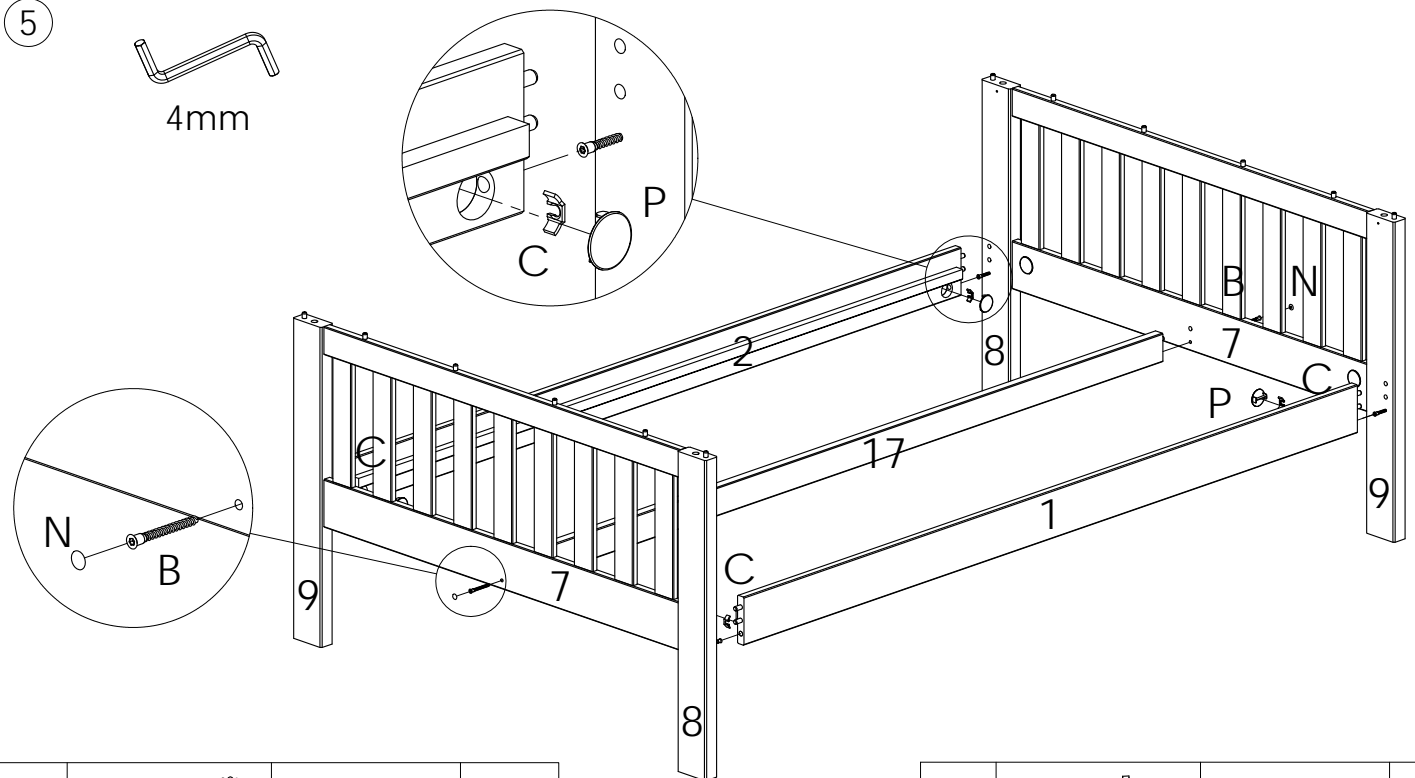
C		D35	x4
P		D35x40	x4

④ 2x



B		7x60	x4
---	--	------	----

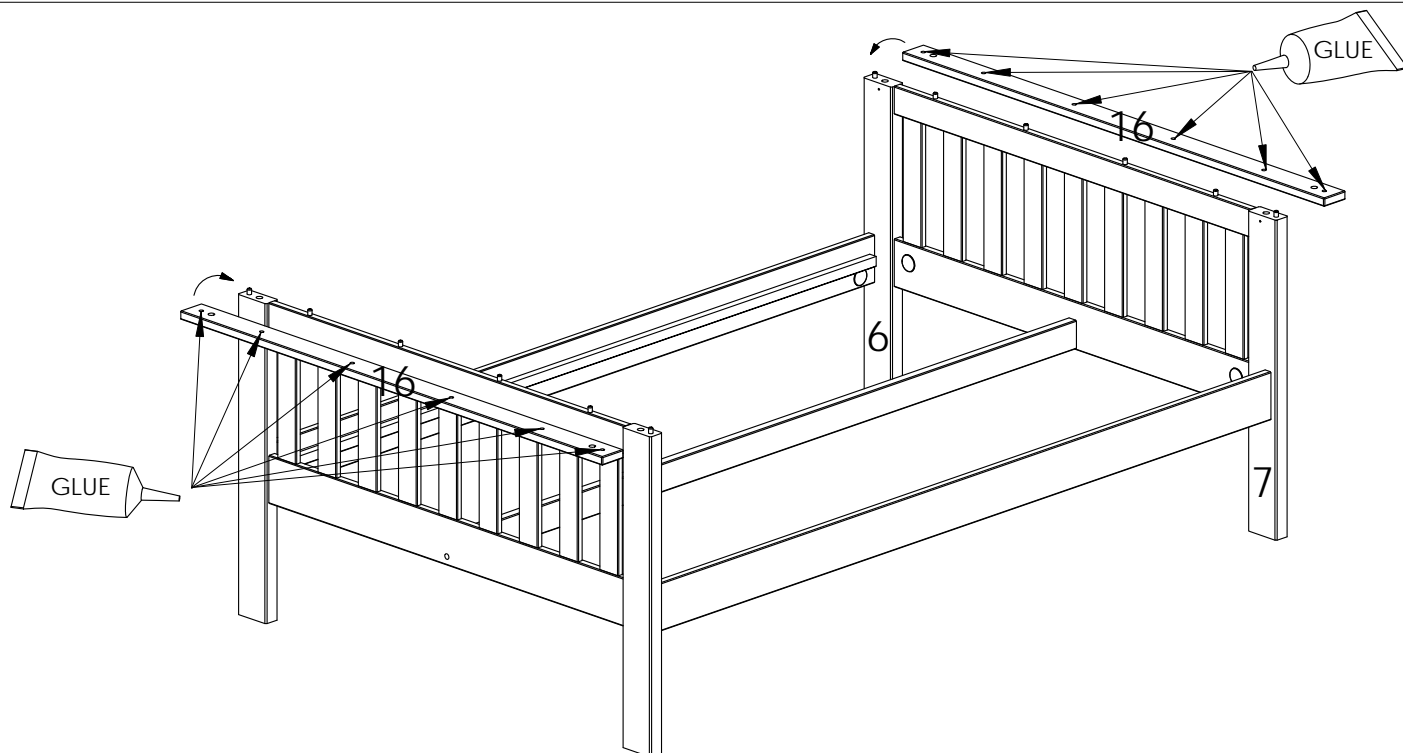
⑤



B		7x60	x2
N		D4x13	x2

C		D35	x4
P		D35x40	x4

6

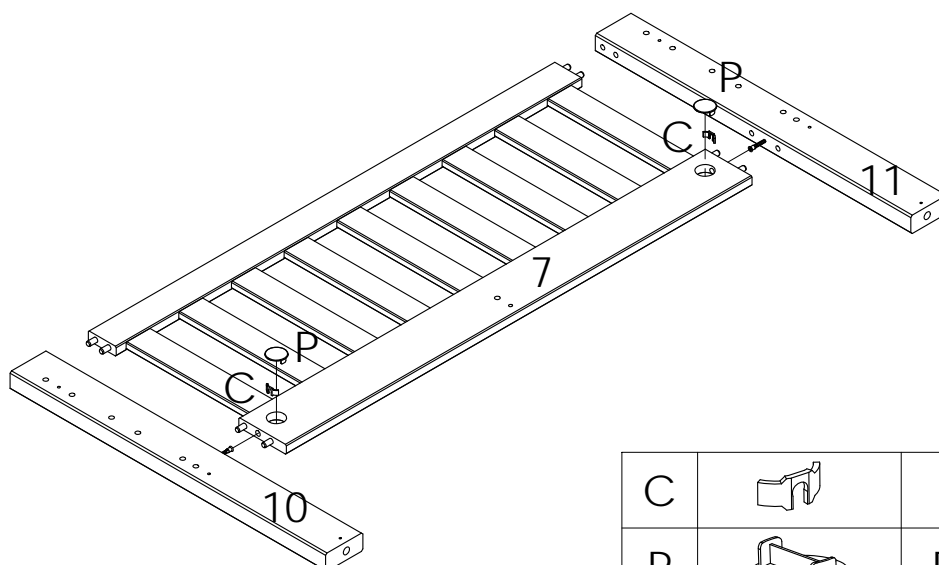


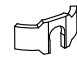
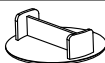
7



4mm

2x

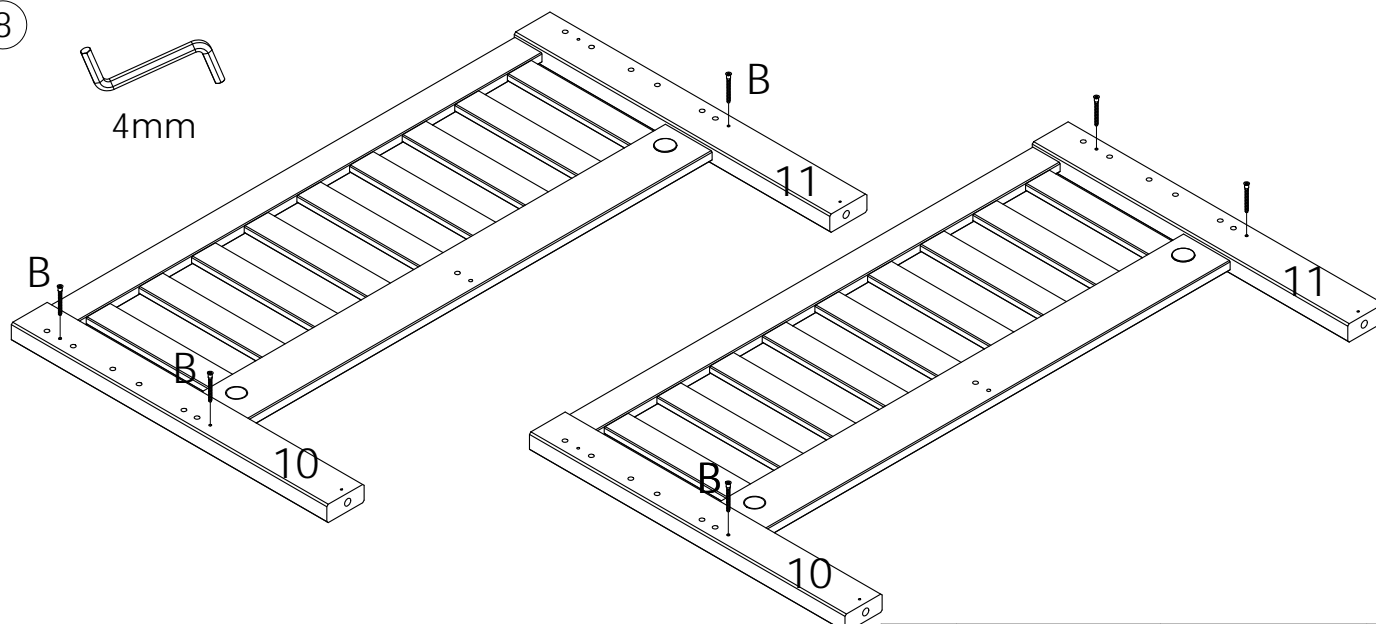


C		D35	x4
P		D35x40	x4

8

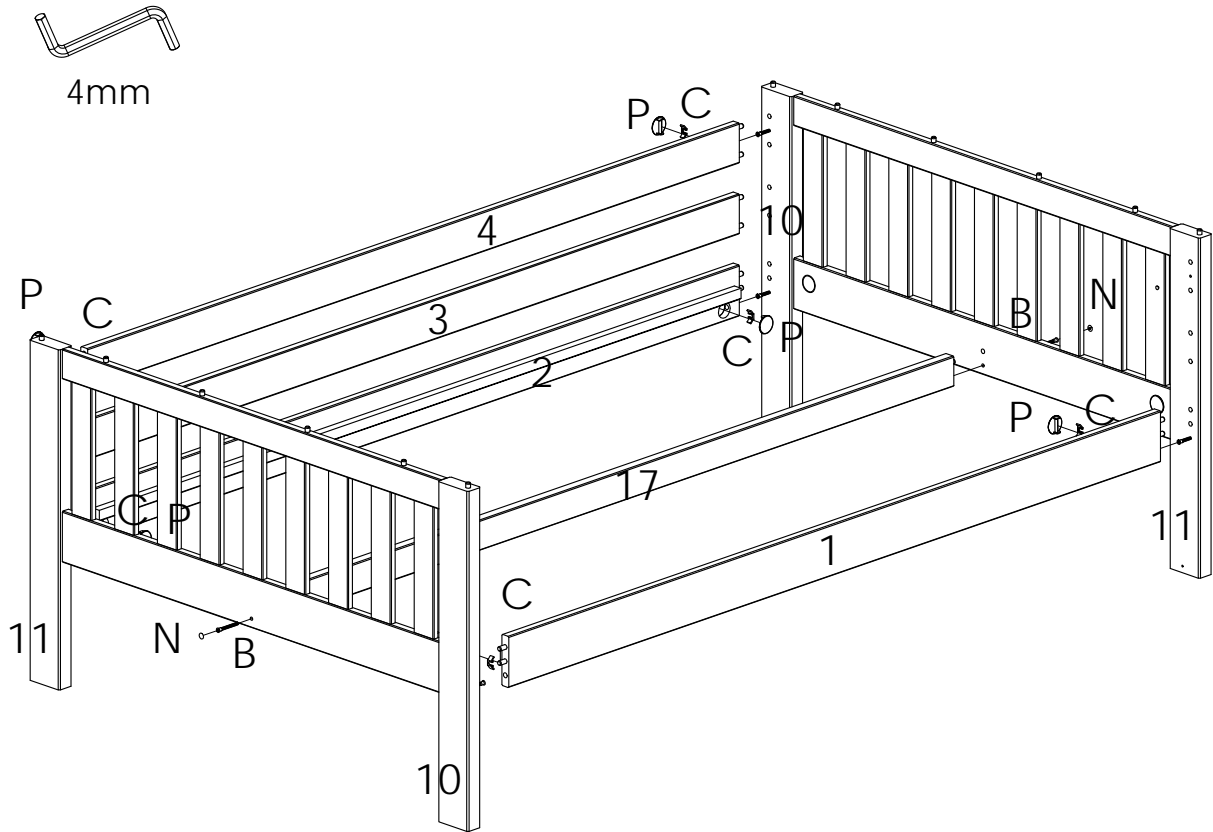




4mm


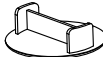


B		7x60	x6
---	---	------	----

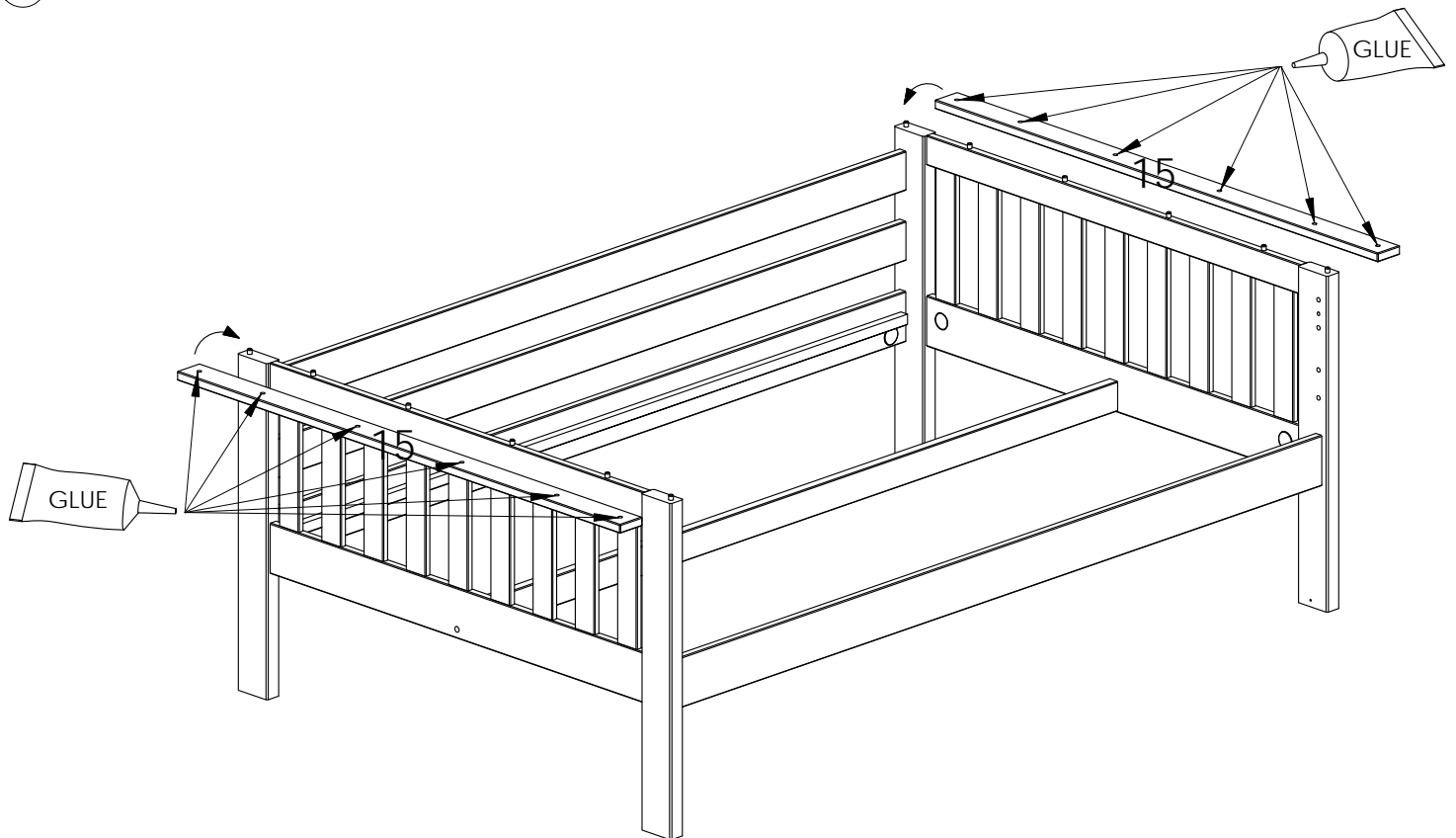
9



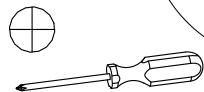
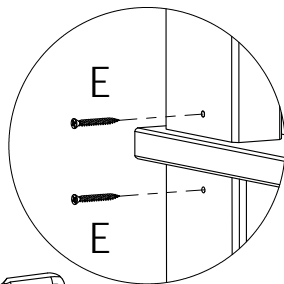
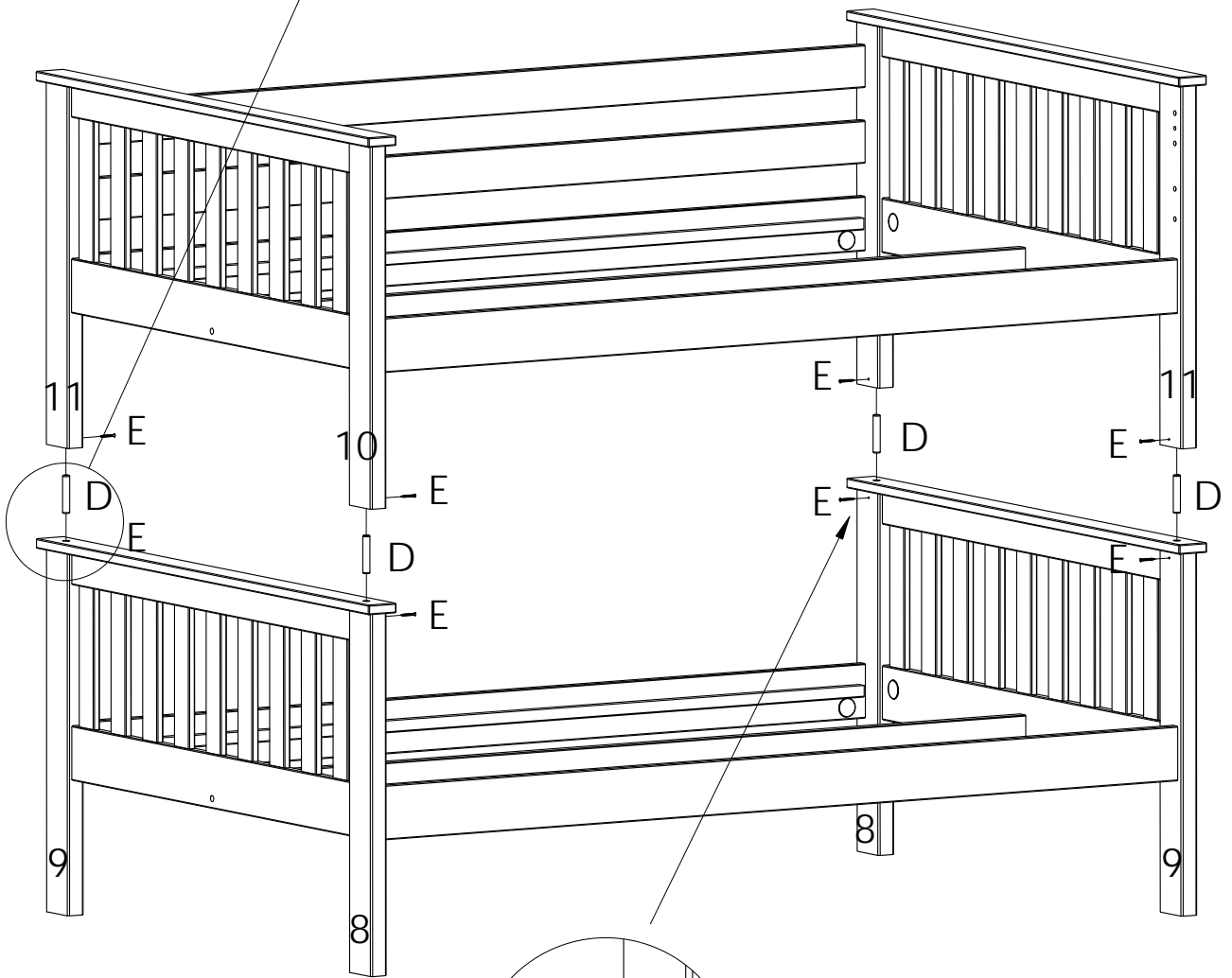
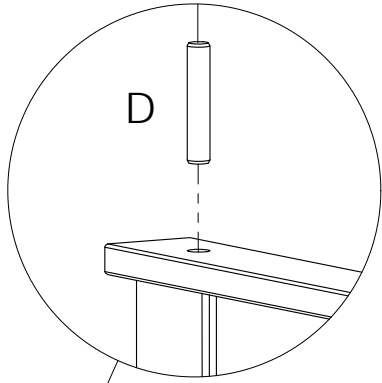
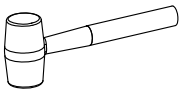
B		7x60	x2
N		D4x13	x2

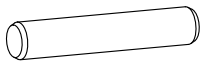

C		D35	x6
P		D35x40	x6

10



11

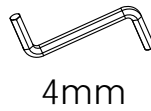
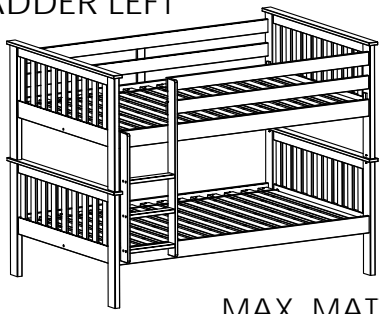


D		15x80	x4
E		4,2x35	x8

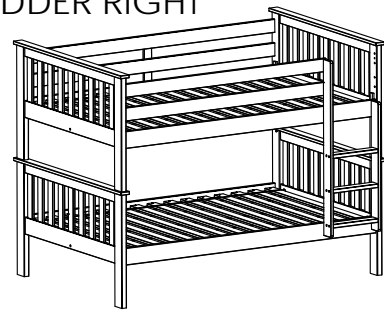
12

LADDER LEFT

LADDER RIGHT



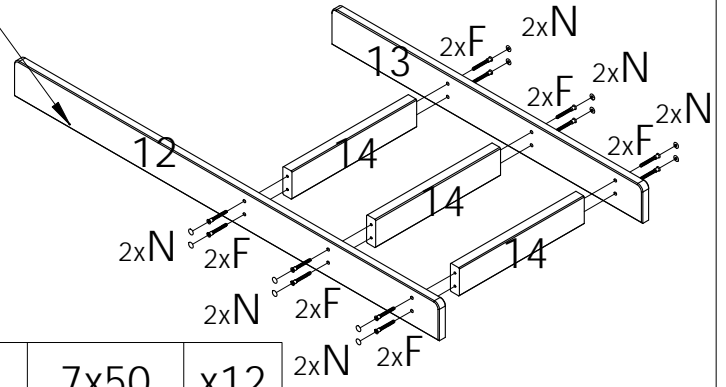
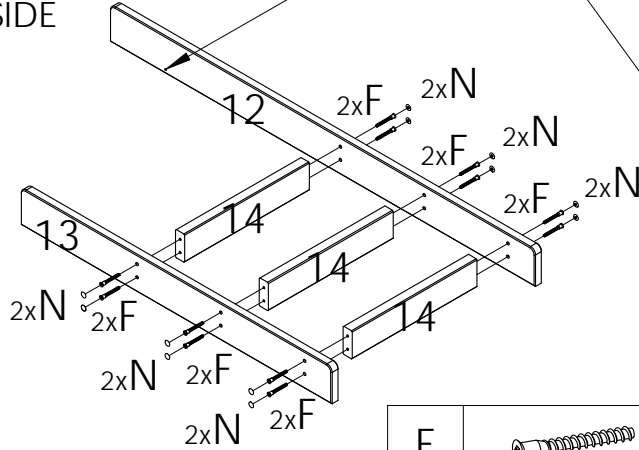
4mm



MAX. MATTRESS HEIGHT

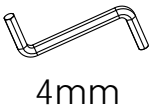
ASSEMBLING LADDER LEFT SIDE

ASSEMBLING LADDER RIGHT SIDE

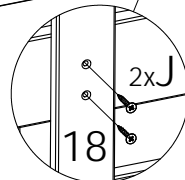
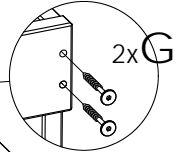
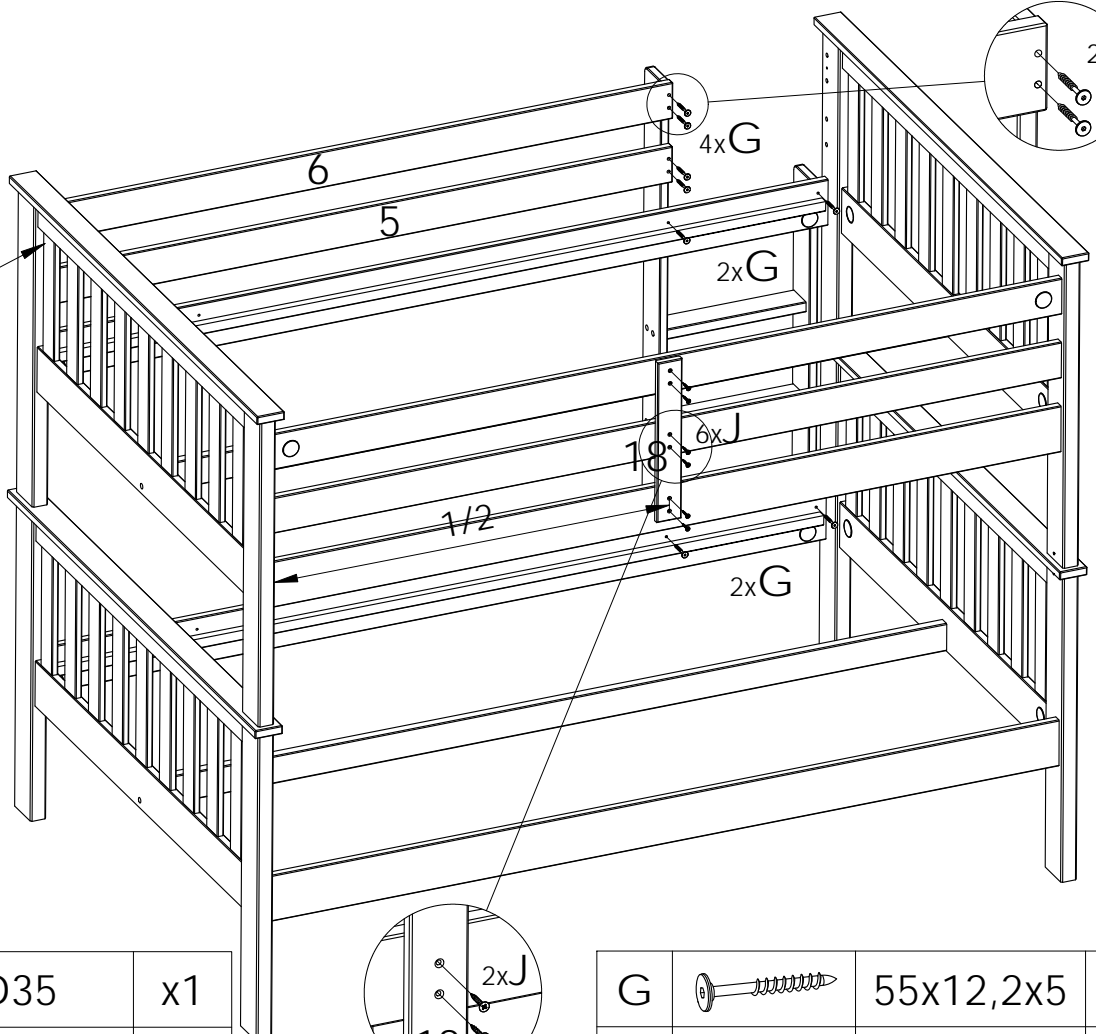
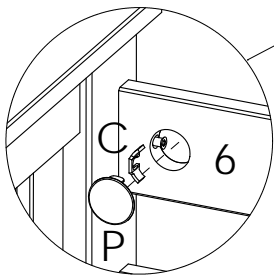


F		7x50	x12
N		D4x13	x12

13



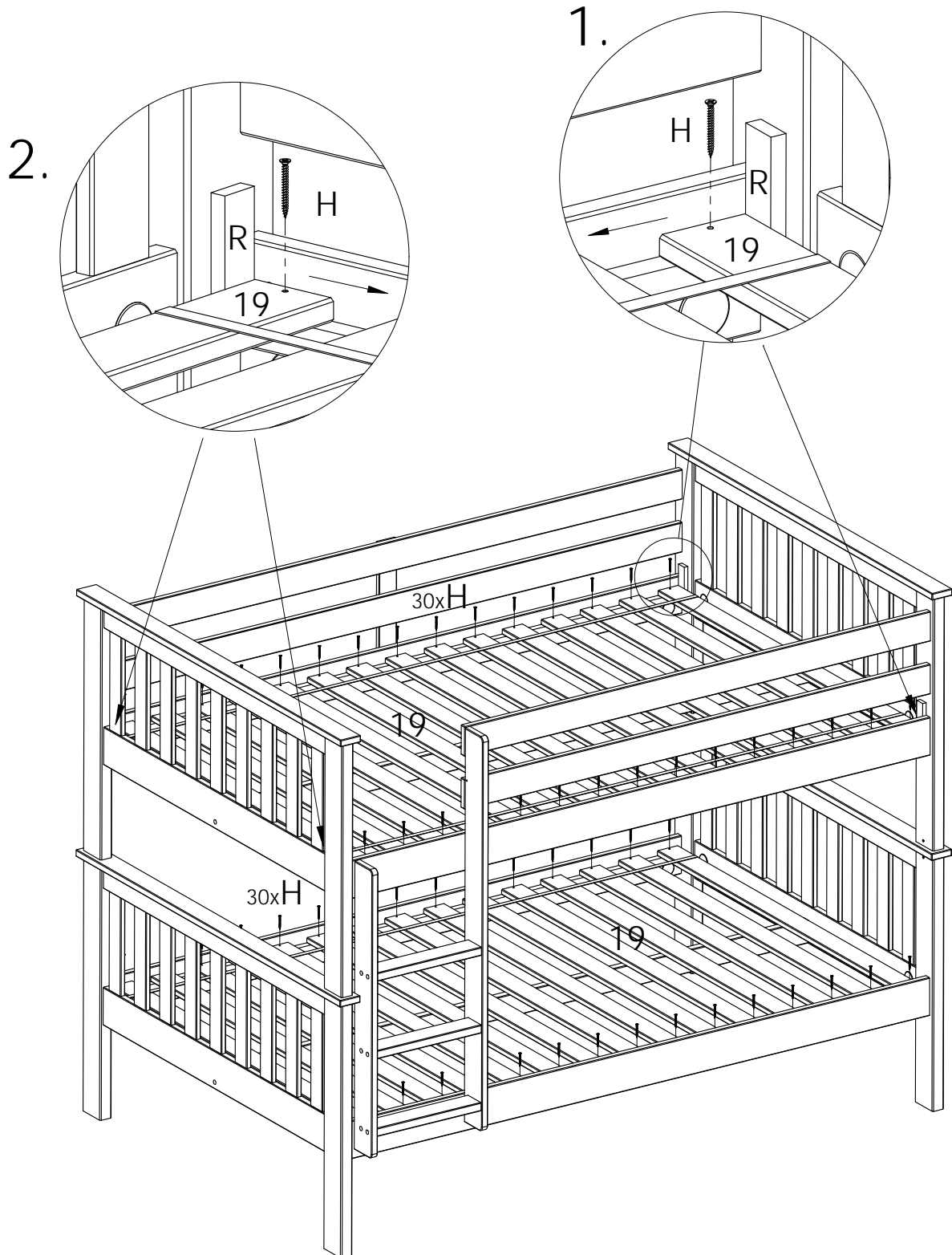
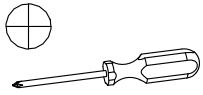
4mm





C		D35	x1
P		D35x40	x1

G		55x12,2x5	x8
J		5x30	x6

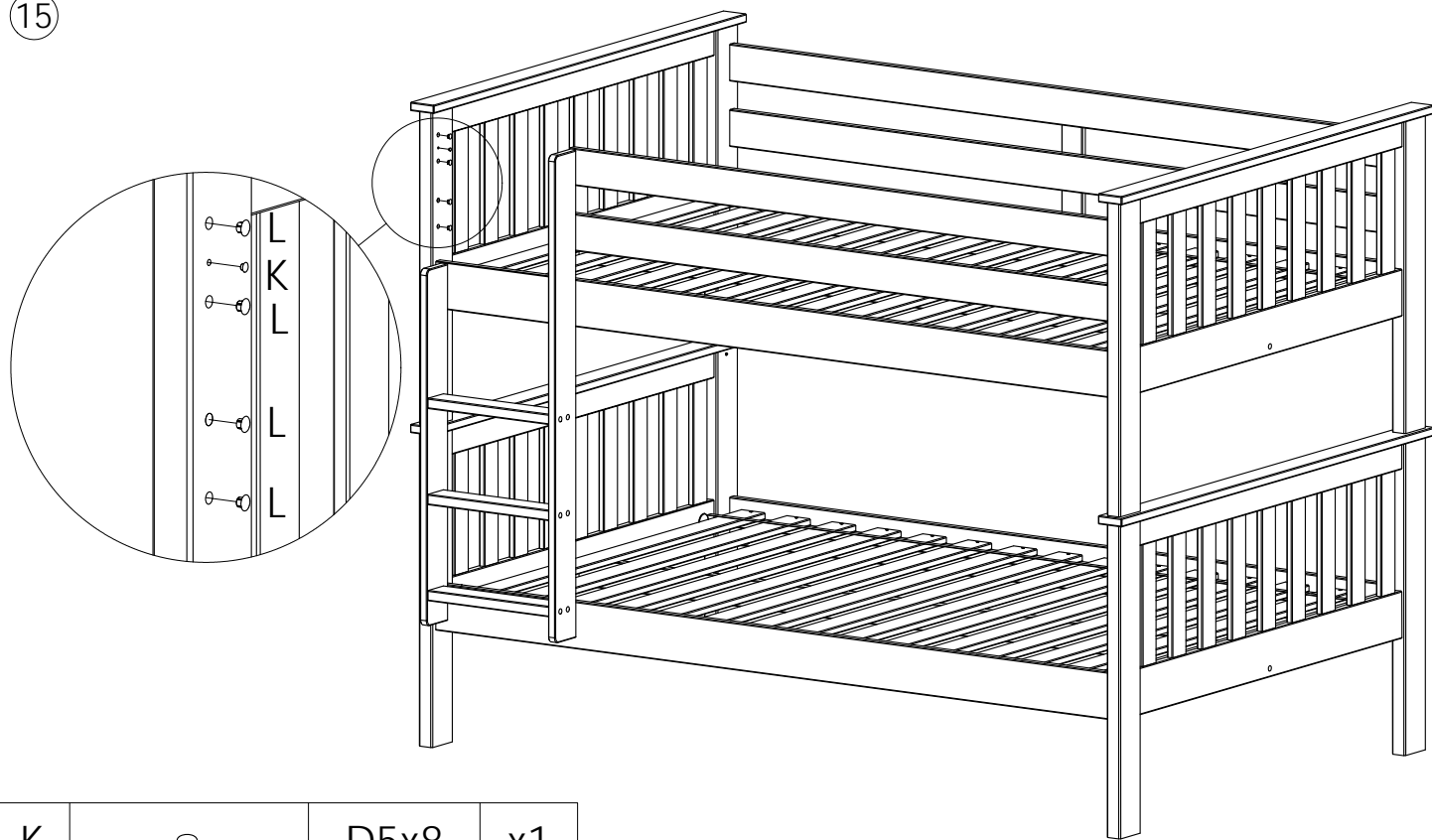
14





R		80x30x12	x2
H		3,5x40	x60

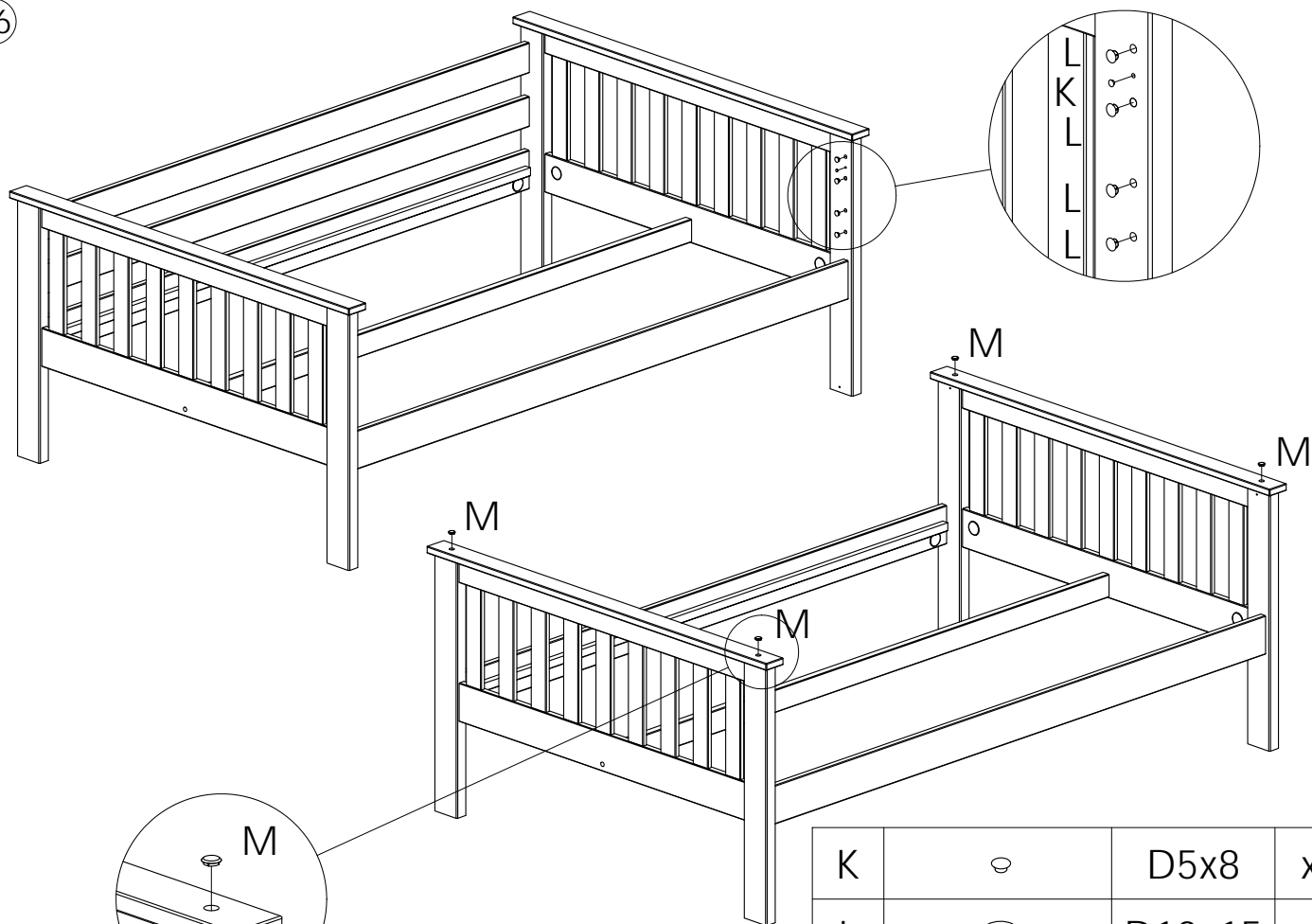





15



K		D5x8	x1
L		D10x15	x4

16



K		D5x8	x1
L		D10x15	x4
M		D15x18	x4