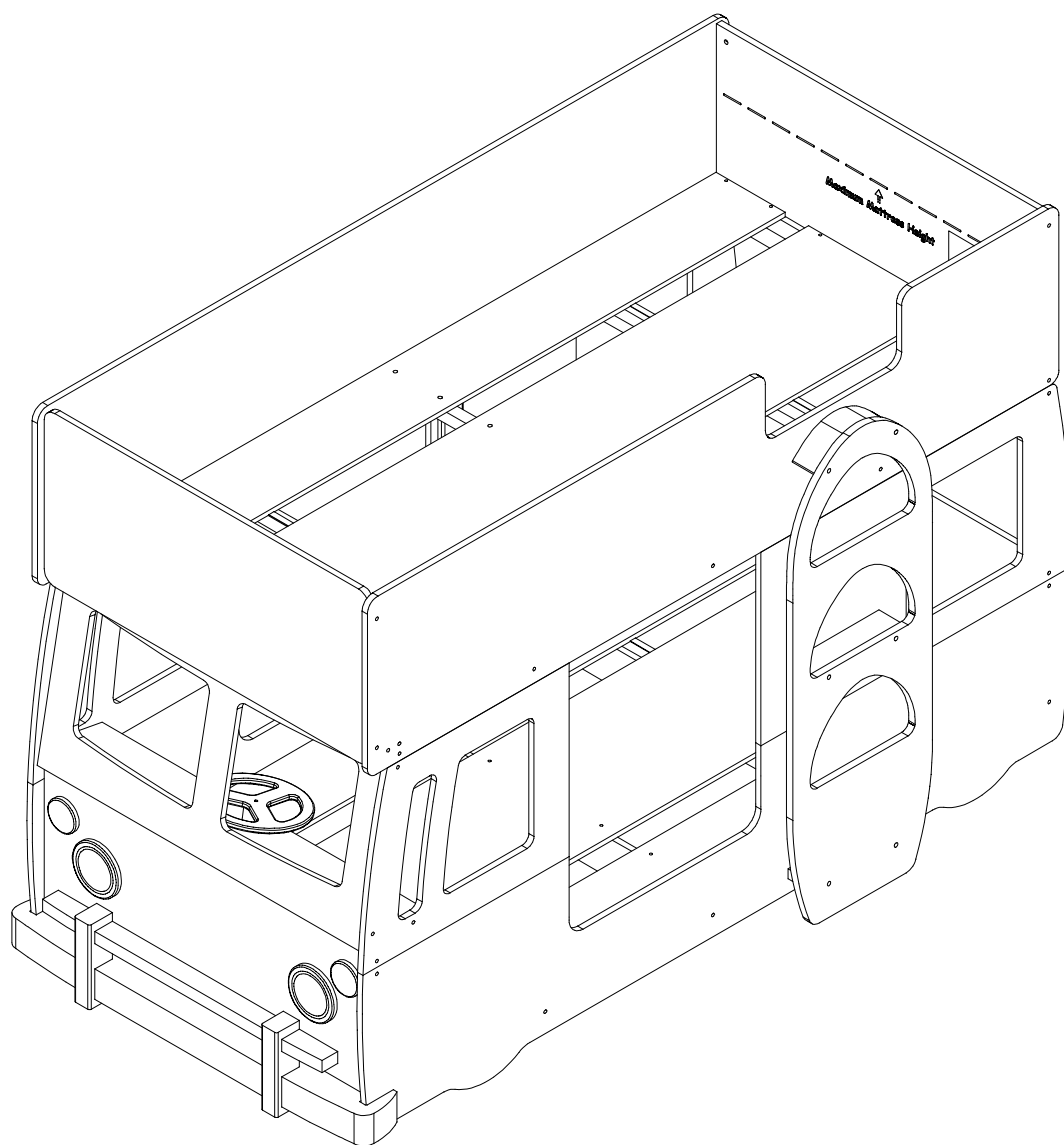


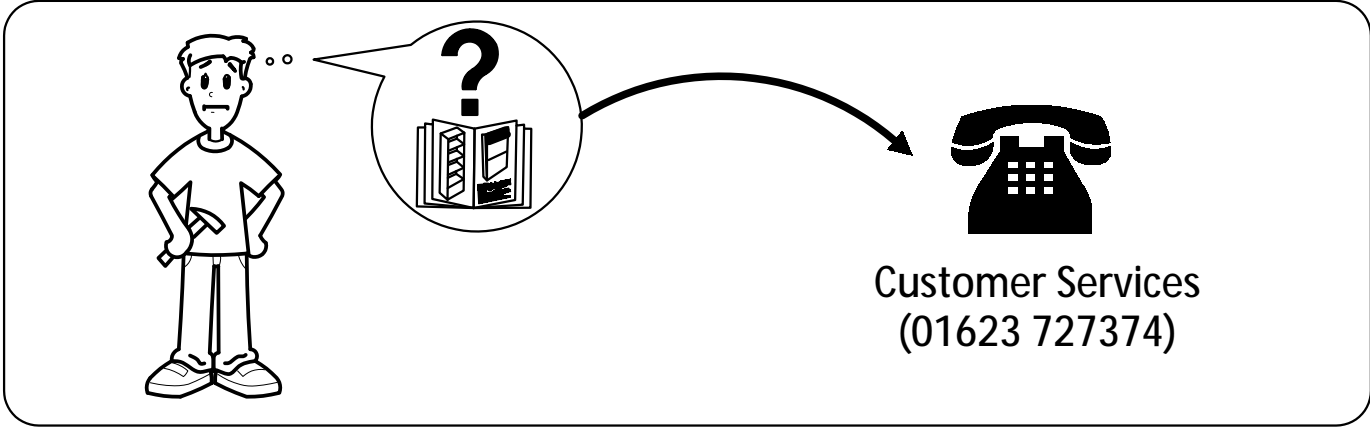
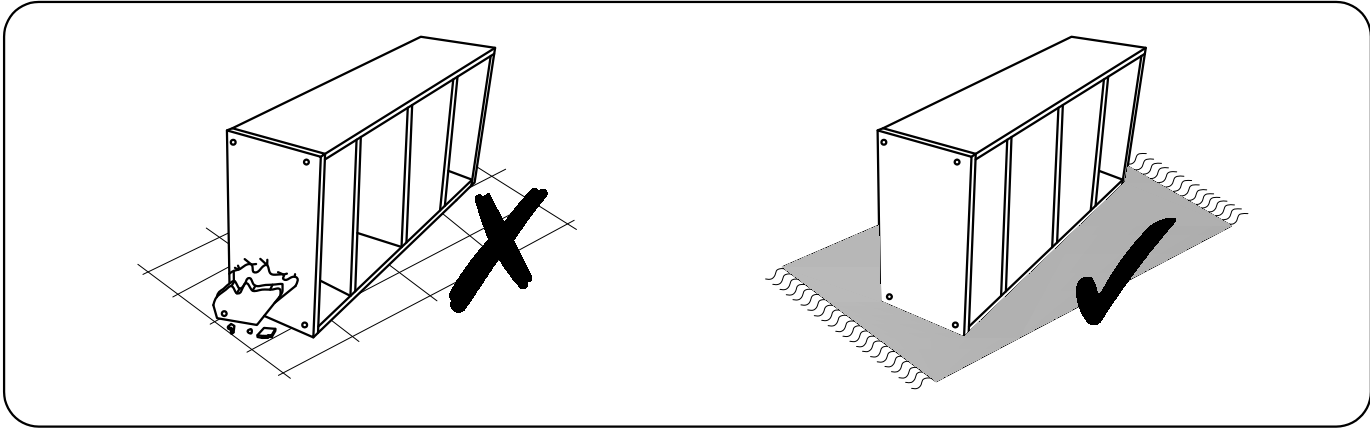
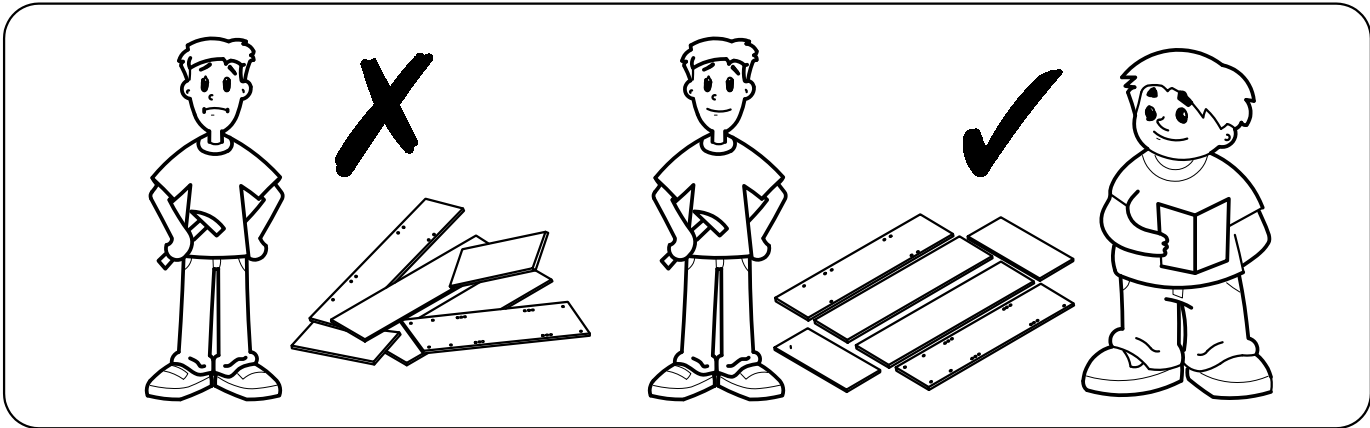
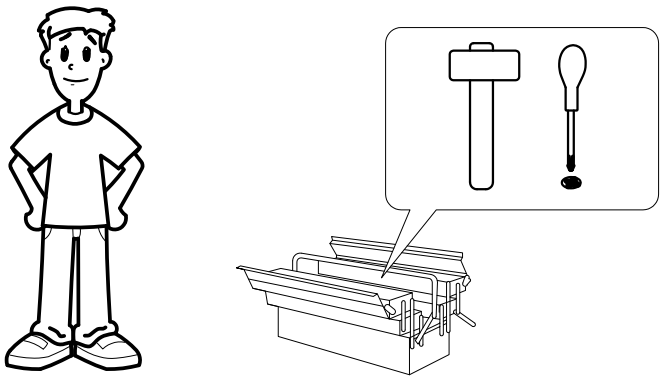
**IMPORTANT - READ CAREFULLY - RETAIN
FOR FUTURE REFERENCE**

Campervan Bunk Bed Assembly Instructions

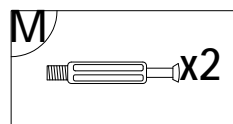
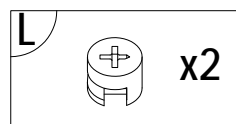
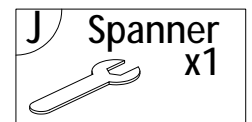
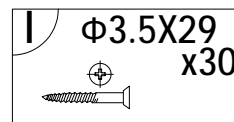
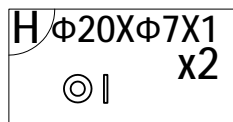
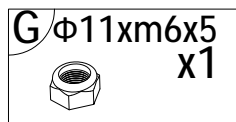
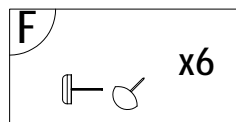
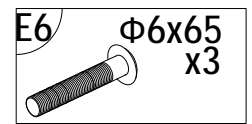
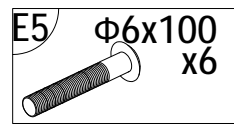
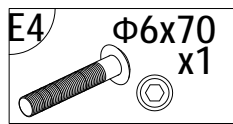
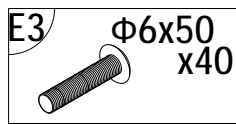
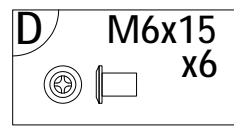
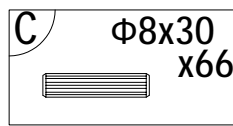
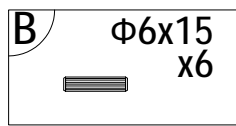
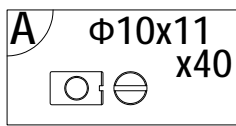


VERSION:190412

We strongly urge that you do not use Power Tools, such as drills or electric screwdrivers during this assembly as this could cause irreparable damage to your product and will invalidate the warranty.



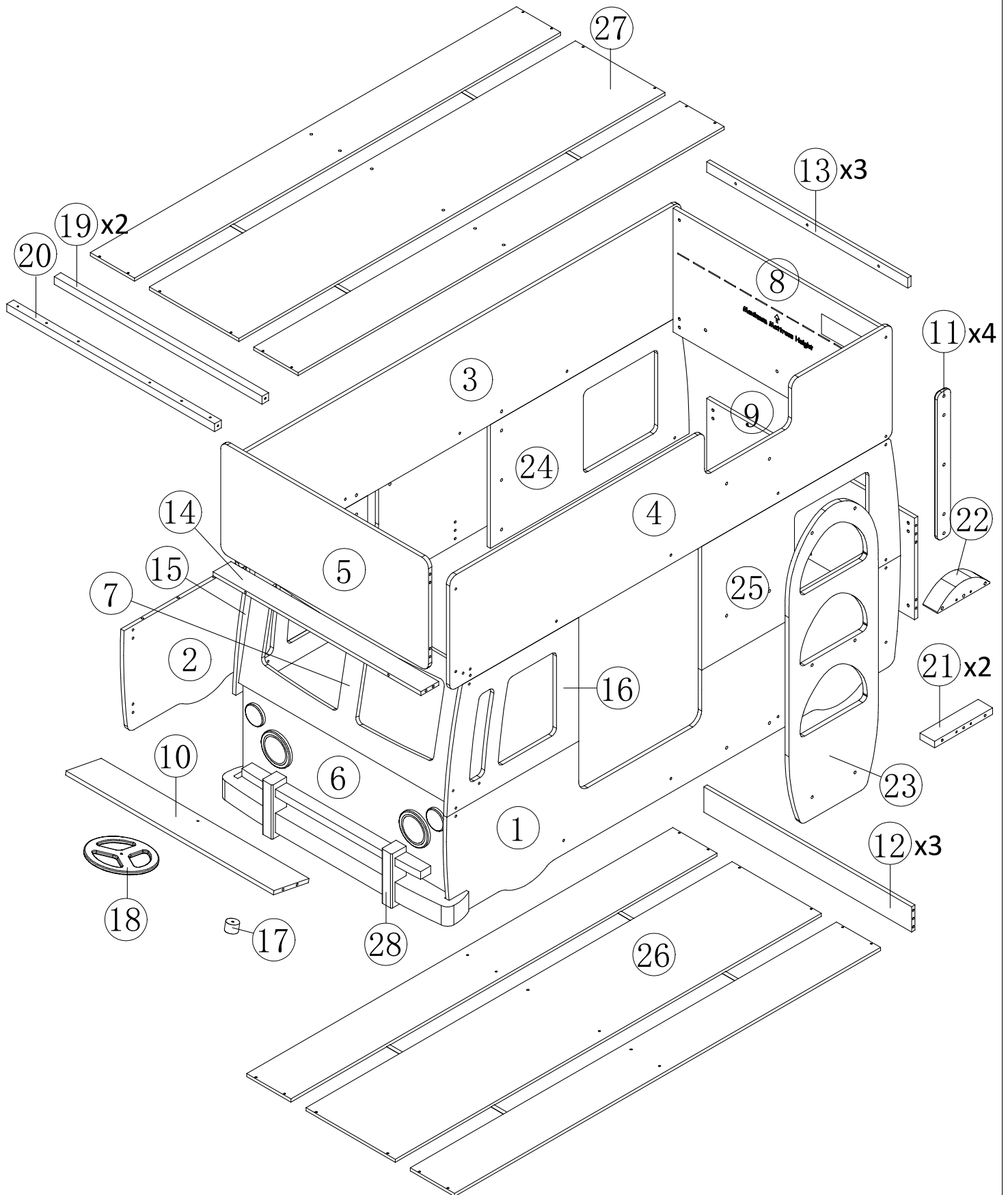
HARDWARE



Do Not Use Power Tools

We strongly advise you refrain from using power tools when assembling the Campervan. Power tools can overtighten the bolts causing the paintwork to crack this will result in irreparable damage to the bed and void any warranty.

PARTS



Safety Advice

WARNING: This bunk is intended for use by children only, with a maximum recommended weight of 75 Kg. Vendor cannot be held responsible for failure or damage to the bunk or personal injuries should this warning be ignored.

Please take the time to carefully read through the whole of these instructions before you commence.

Keep these instructions for future reference.

Unpack, inspect and check off all of the contents.

Please dispose of all packaging safely.

Small component parts could choke a child if swallowed.

We strongly recommend that you keep children well away from the work area.

It would be sensible to lay a sheet or blanket on the floor where you intend to work to avoid scratching this product and to protect your floor.

This product is heavy. Take extreme care when lifting to avoid personal injury or damage to the product.

Assemble the product as close to its intended final position in the room as possible.

Please check the contents of the boxes before attempting to assemble this product.

A full checklist of parts and fittings is given in pages 3 and 4 of this instruction leaflet.

HANDY HINT: If you keep the hardware in a bowl during assembly you will be less likely to lose them.

Important Information

Tighten firmly all the fittings when the assembly is complete.

The bed base is an integral and indissociable part of the bed.

WARNING: High beds and the upper bed of bunk beds are not suitable for children under six years due to the risk of injury through falls.

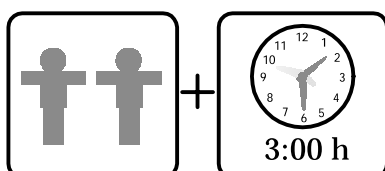
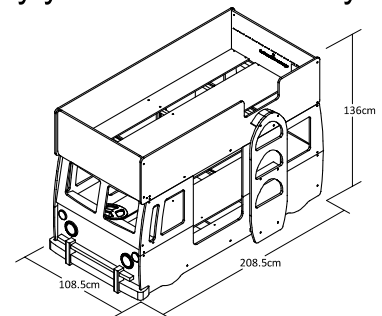
It is not safe to use this product if any part of the structure is missing or broken.

Children could strangle themselves with articles, such as ropes, strings, cords, harnesses and belts attached to, or hung on this product.

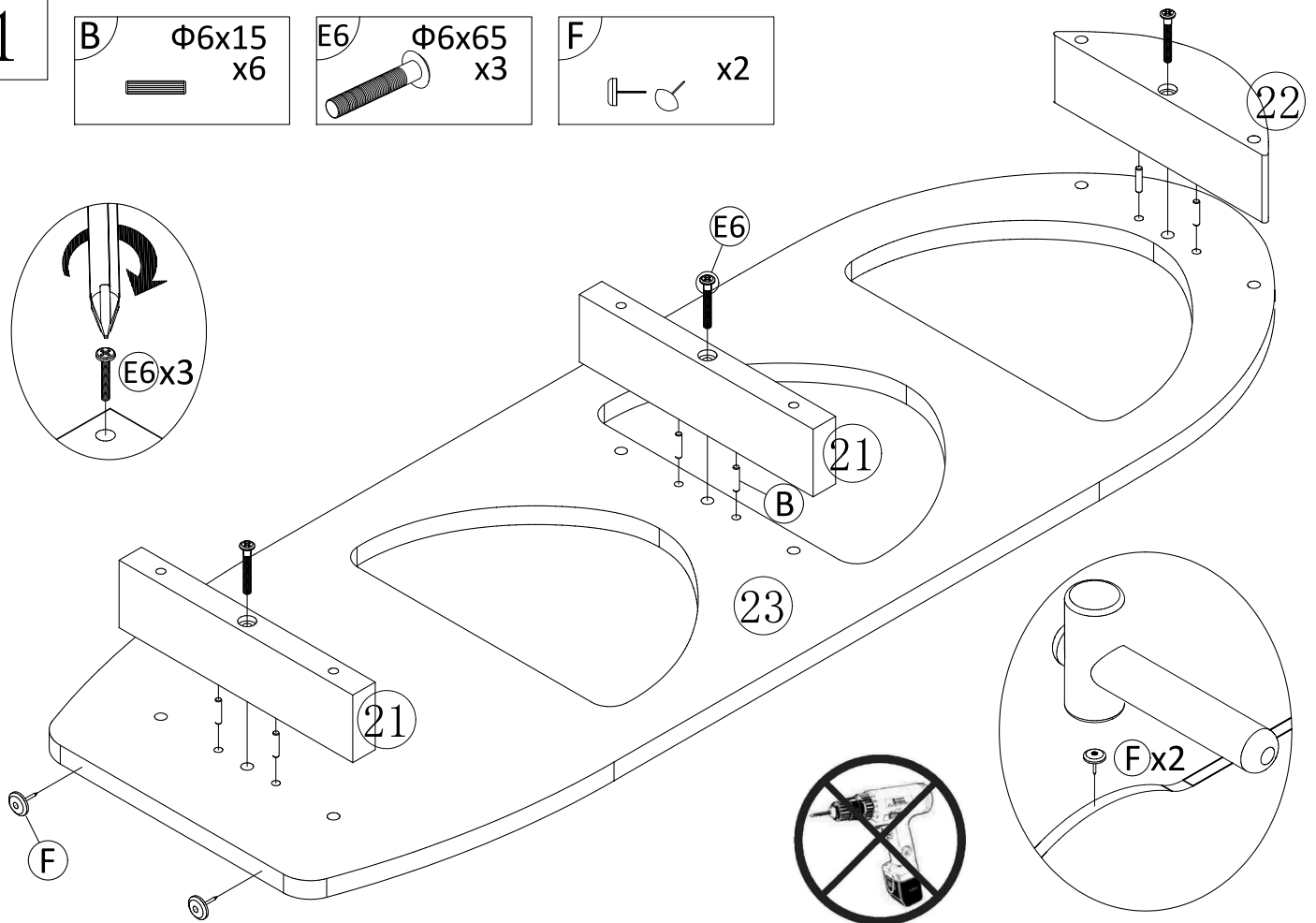
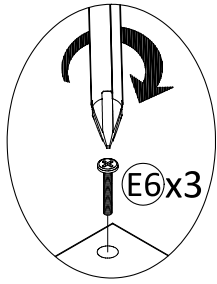
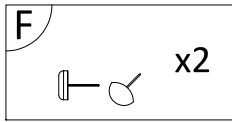
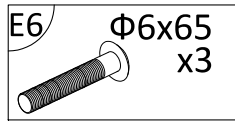
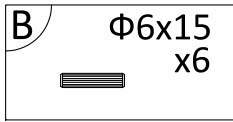
WARNING: Children can become trapped between the bed and the wall. To avoid risk of serious injury the distance between the top safety barrier and the wall shall not exceed 75 mm or shall be more than 230 mm.

The largest size of mattress : 190 x 91 x 19 cm.

Conforms with **BS EN 747 : 2012 Parts 1 & 2.**

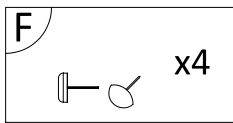


1

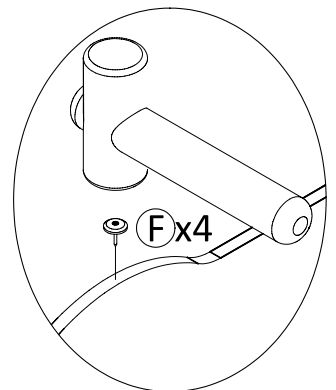
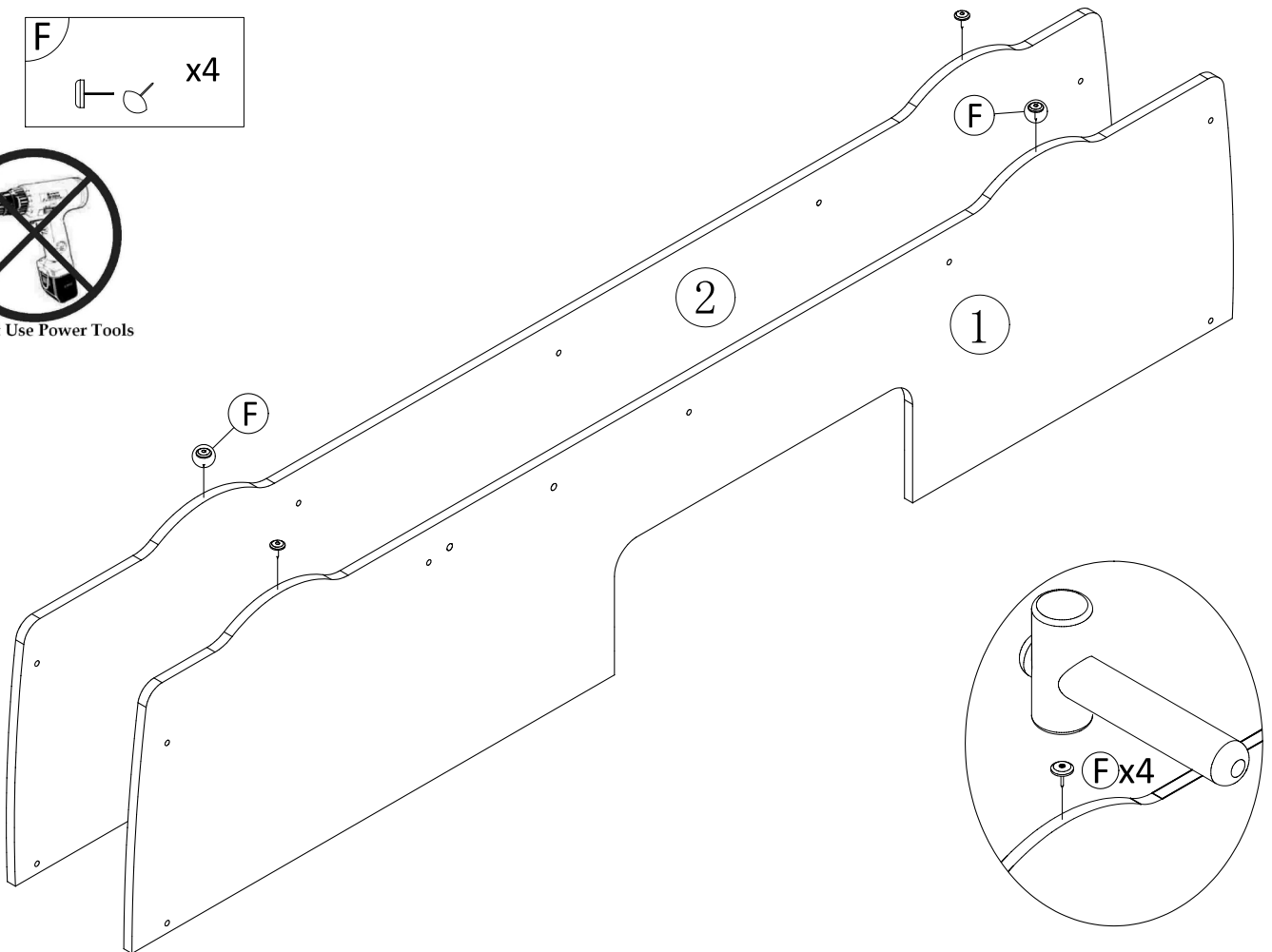


Do Not Use Power Tools

2



Do Not Use Power Tools



3

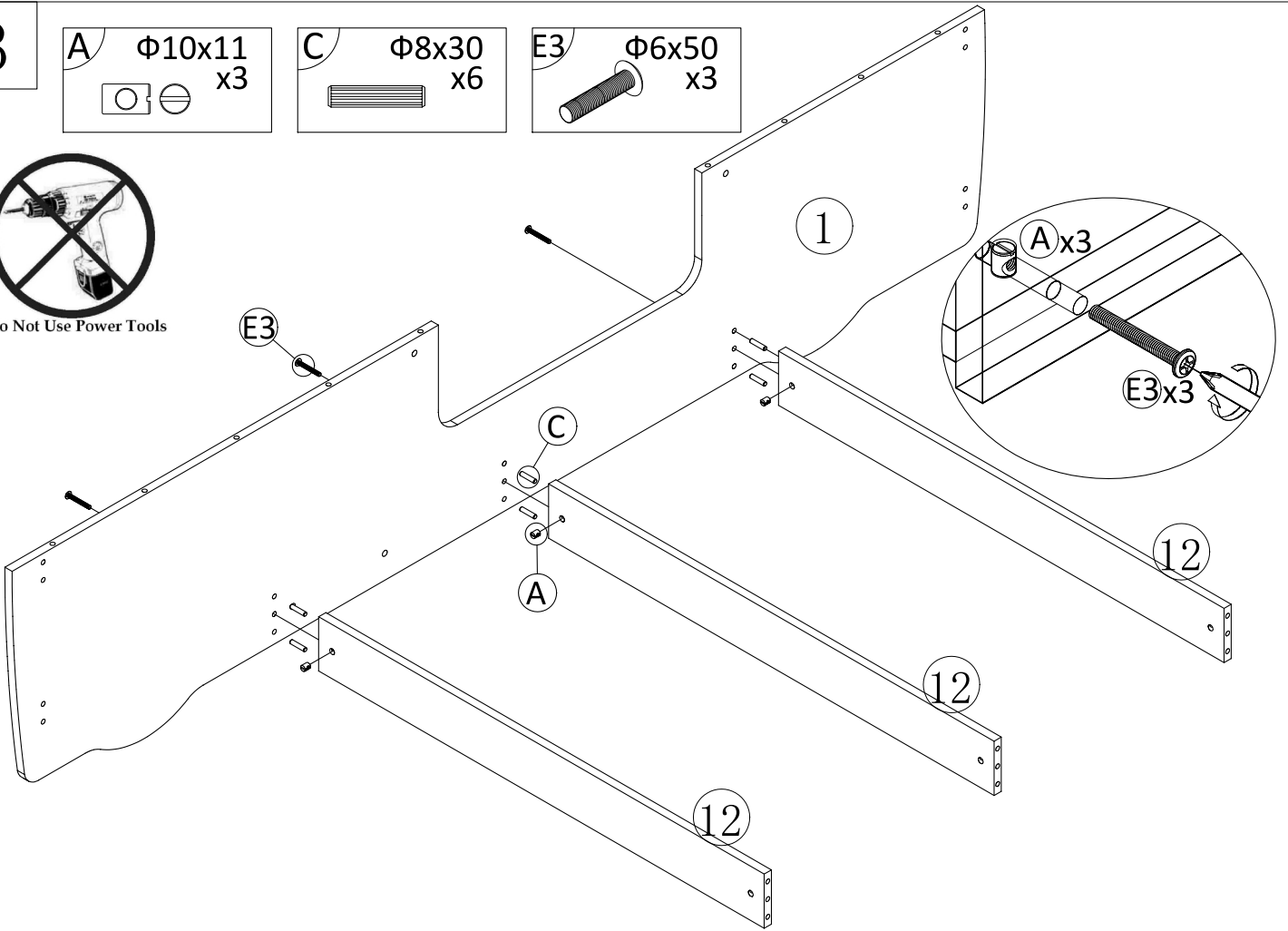
A $\Phi 10 \times 11$
x3

C $\Phi 8 \times 30$
x6

E3 $\Phi 6 \times 50$
x3



Do Not Use Power Tools



4

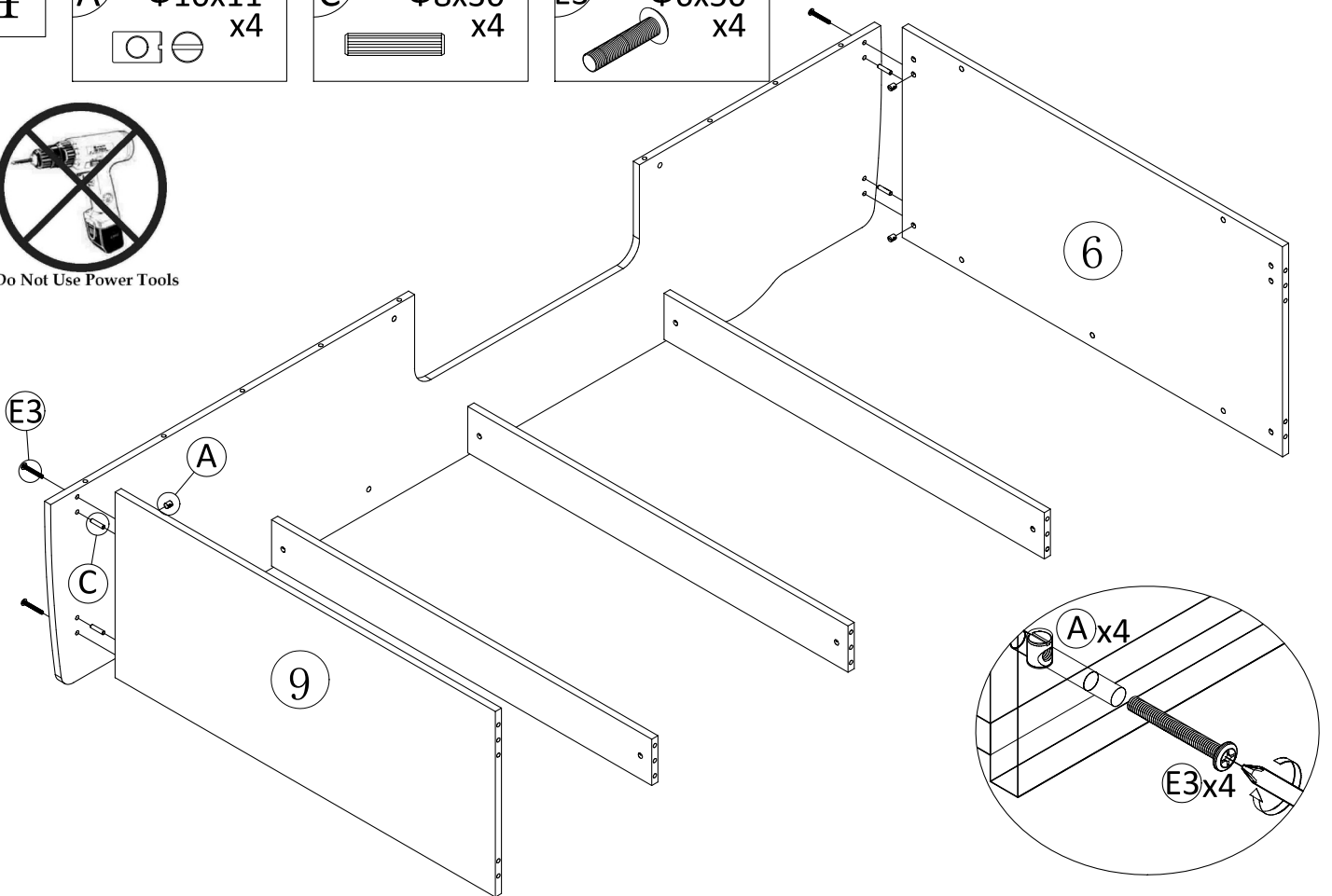
A $\Phi 10 \times 11$
x4

C $\Phi 8 \times 30$
x4

E3 $\Phi 6 \times 50$
x4



Do Not Use Power Tools



5

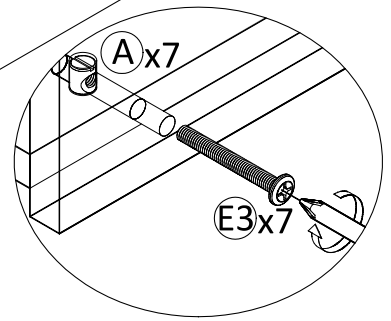
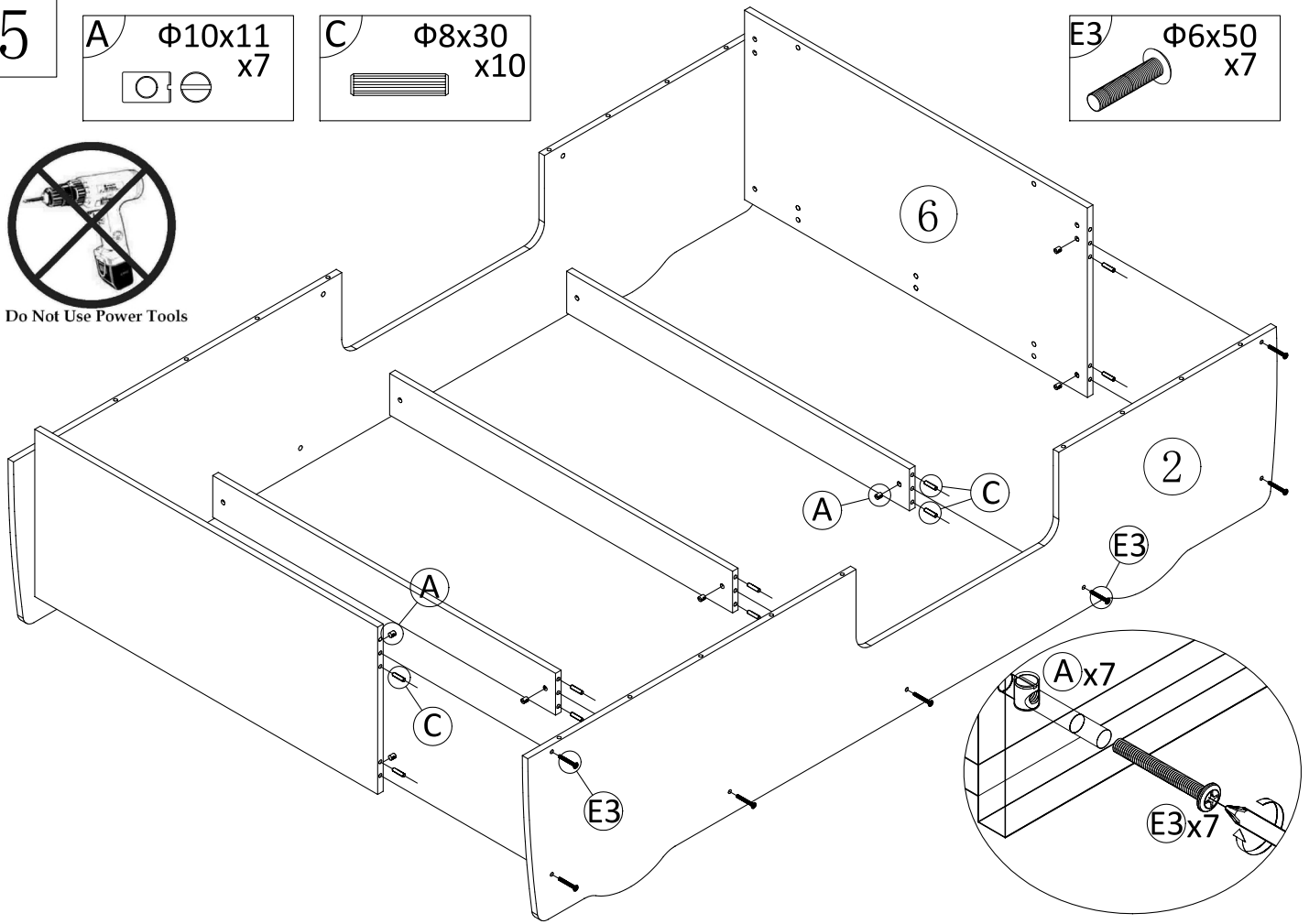
A $\Phi 10 \times 11$
x7

C $\Phi 8 \times 30$
x10

E3 $\Phi 6 \times 50$
x7



Do Not Use Power Tools

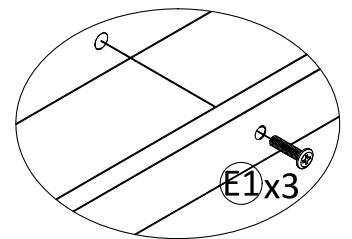
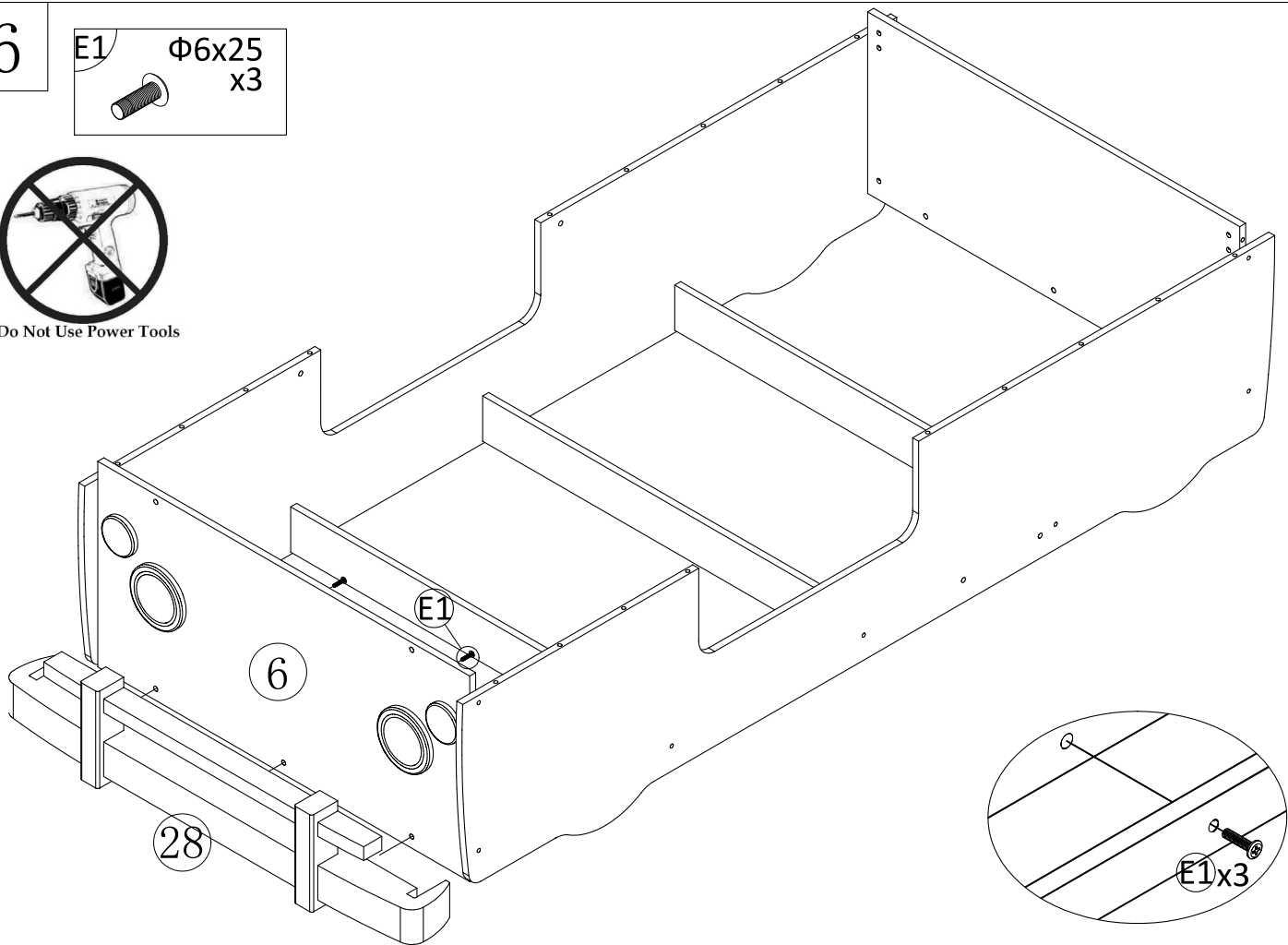


6

E1 $\Phi 6 \times 25$
x3



Do Not Use Power Tools

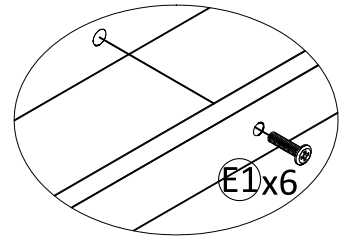
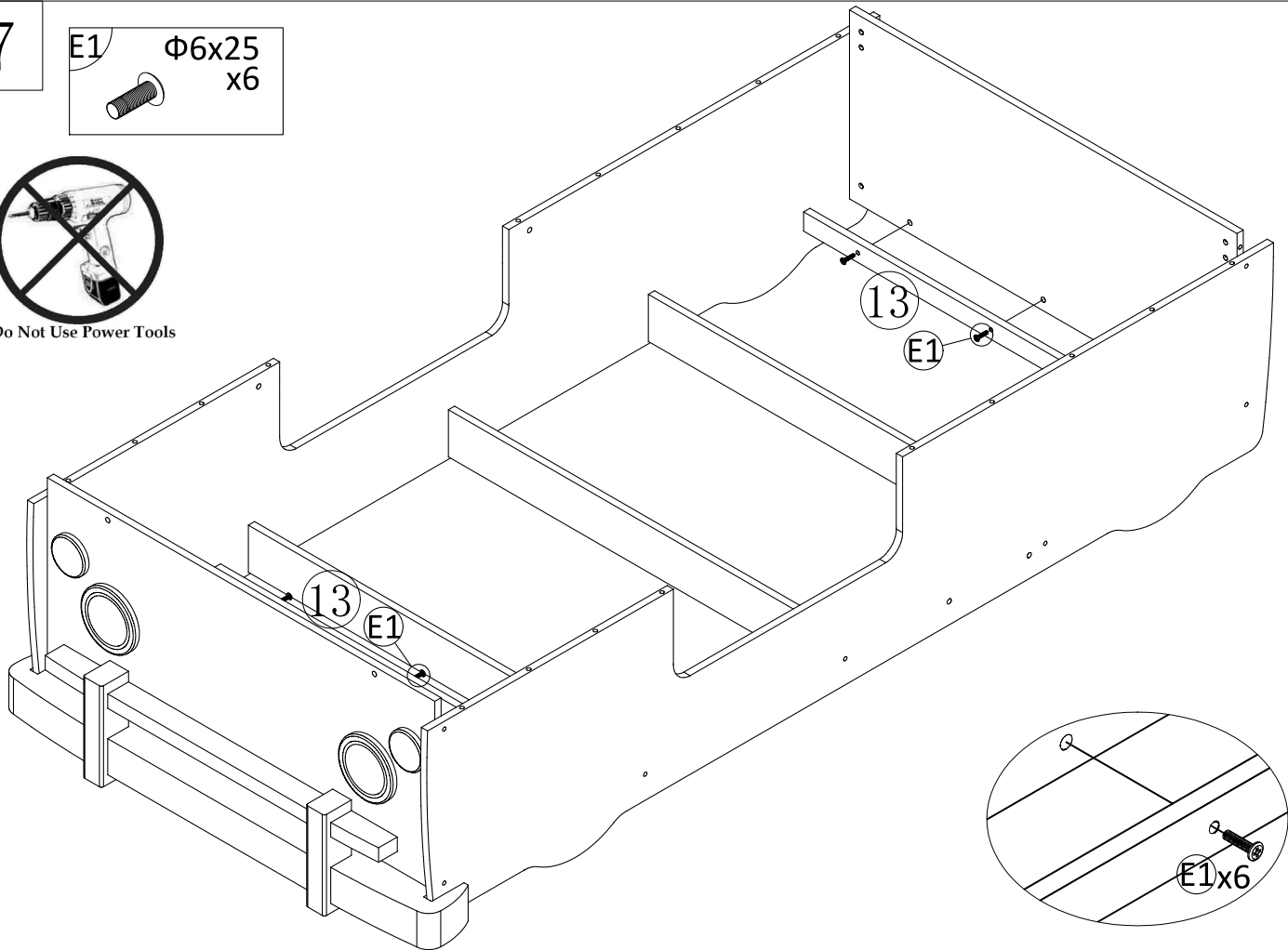


7

E1 $\Phi 6 \times 25$
x6



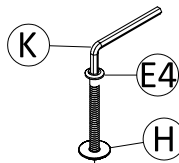
Do Not Use Power Tools



8

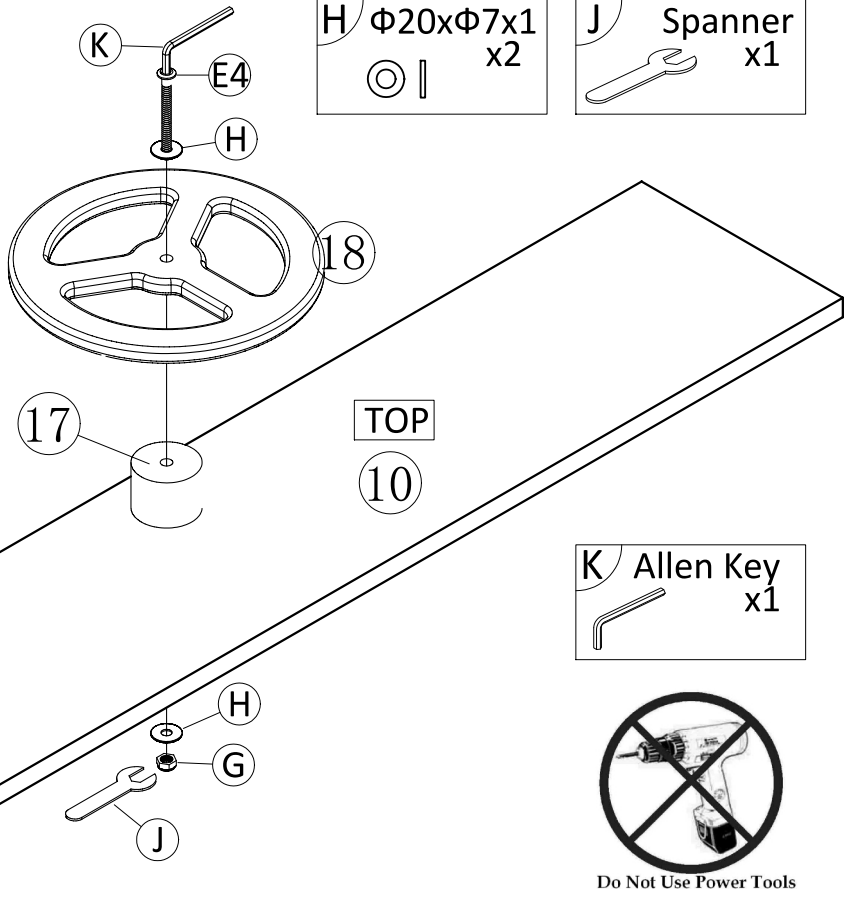
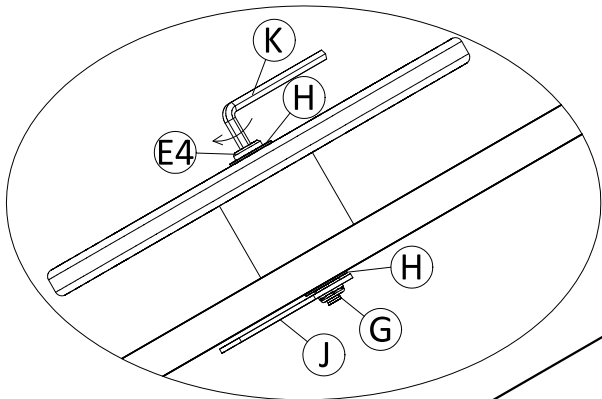
E4 $\Phi 6 \times 70$
x1

G $\Phi 11 \times m6 \times 5$
x1



H $\Phi 20 \times \Phi 7 \times 1$
x2

J Spanner
x1



K Allen Key
x1



Do Not Use Power Tools

Using the Spanner (J) and Allen Key (K), ensure that the Bolt (E4) and Locking Nut (G) are securely fixed and that the wheel can still turn freely.

9

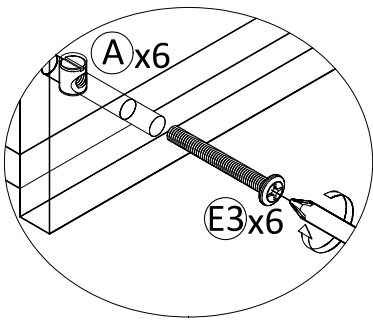
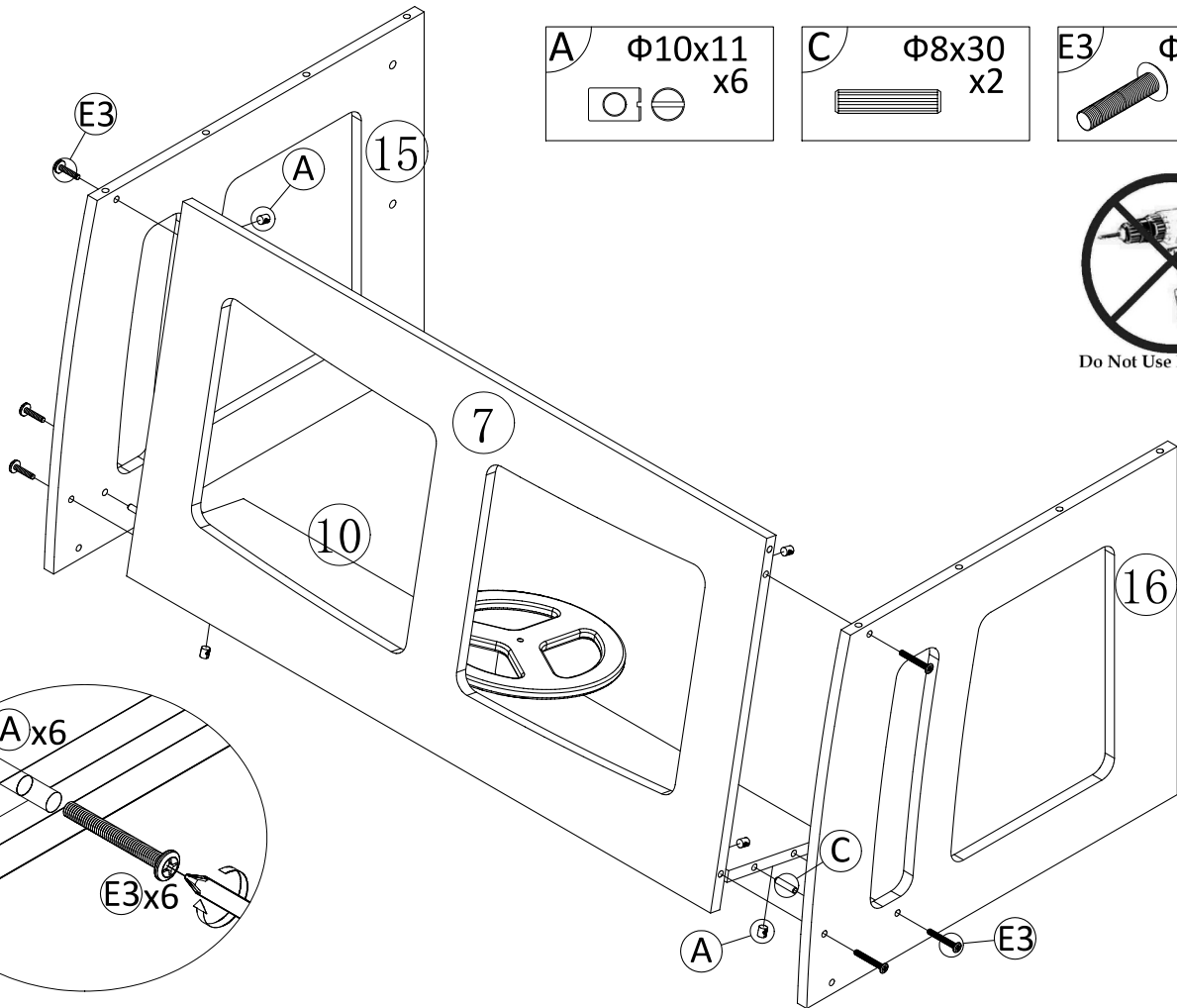
A $\Phi 10 \times 11$
x6

C $\Phi 8 \times 30$
x2

E3 $\Phi 6 \times 50$
x6



Do Not Use Power Tools



10

A $\Phi 10 \times 11$
x4

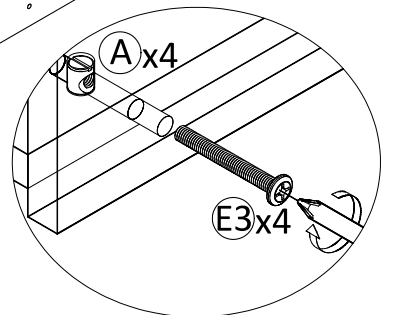
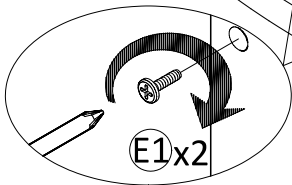
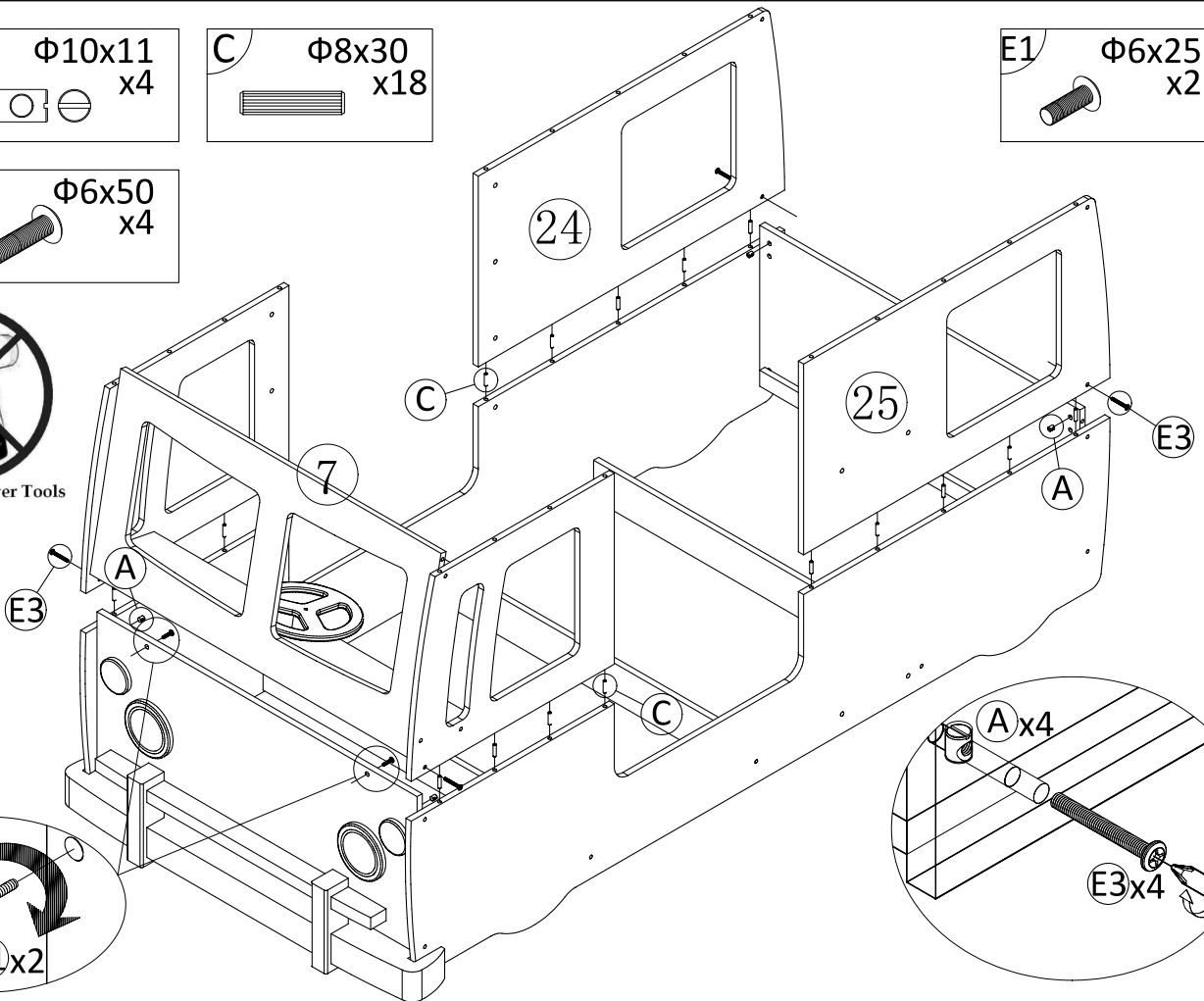
C $\Phi 8 \times 30$
x18

E1 $\Phi 6 \times 25$
x2

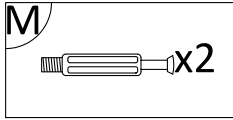
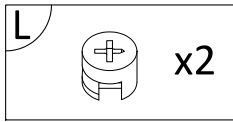
E3 $\Phi 6 \times 50$
x4



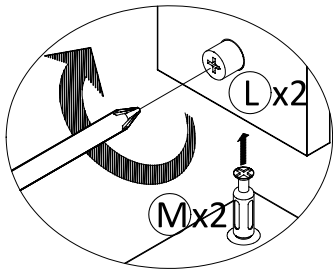
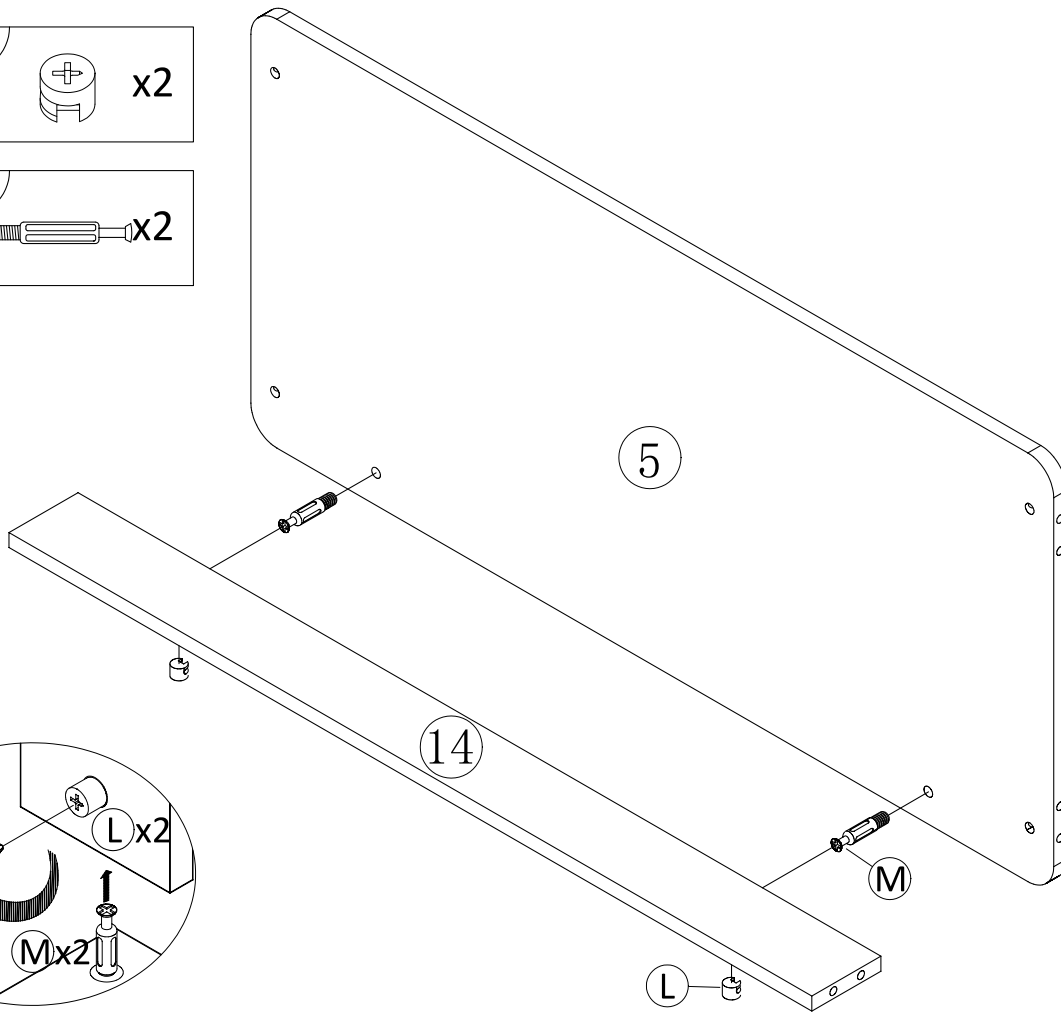
Do Not Use Power Tools



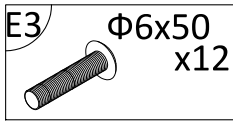
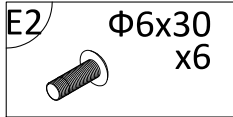
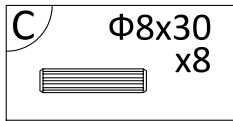
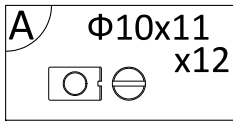
11



Do Not Use Power Tools

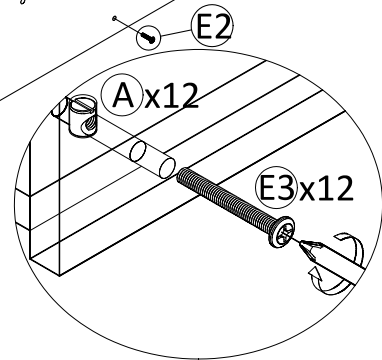
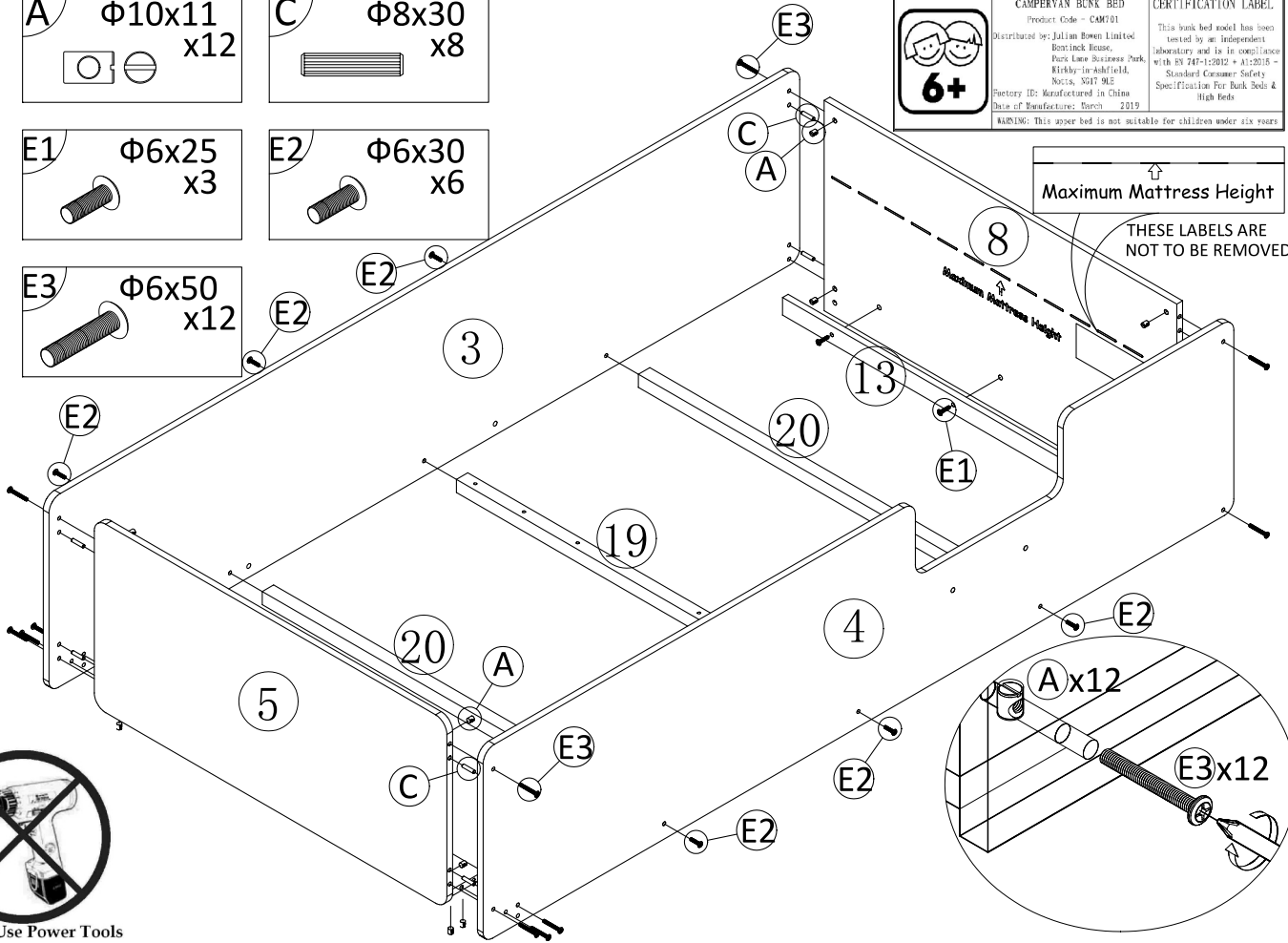


12



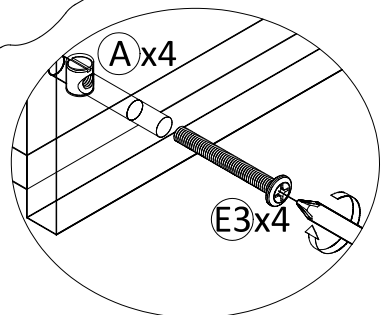
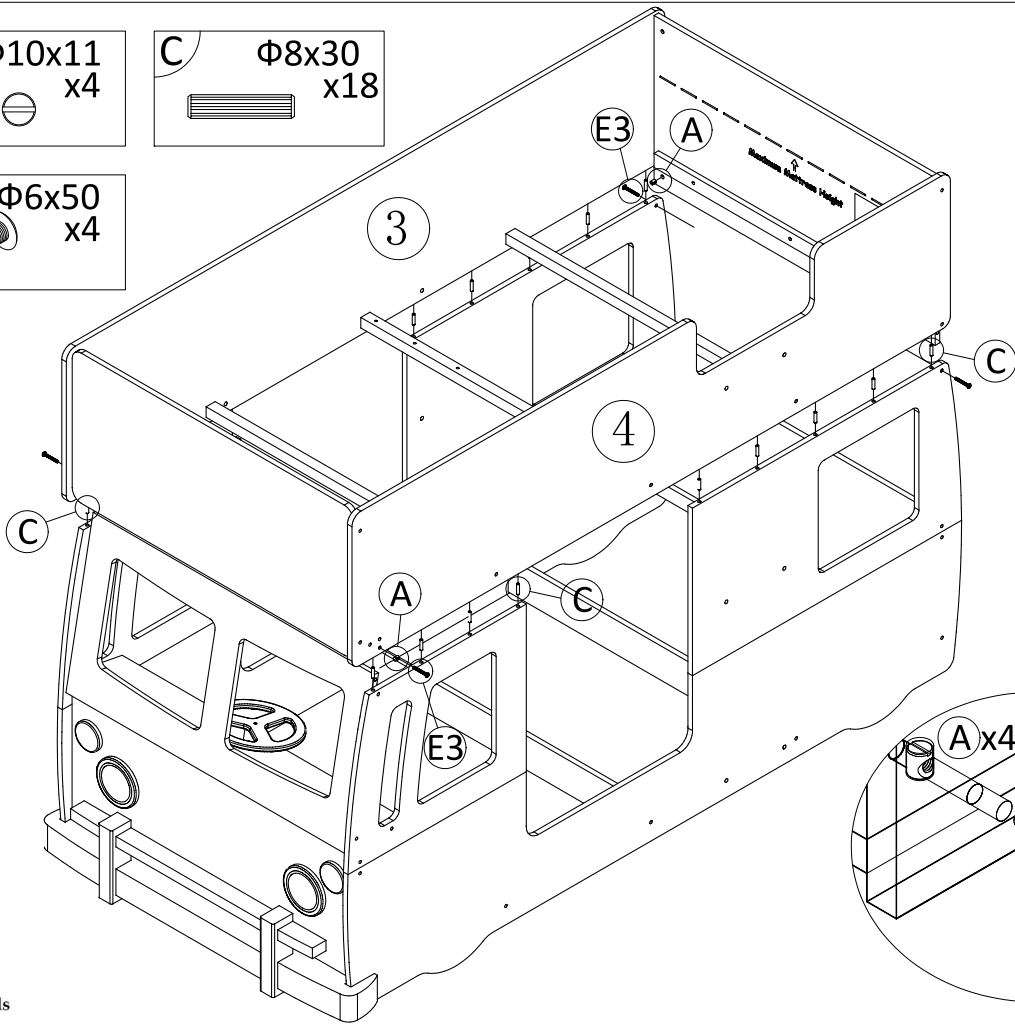
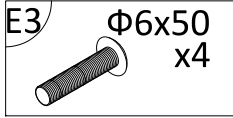
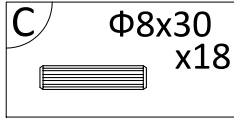
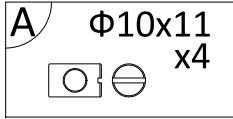
	CAMPERVAN BUNK BED	CERTIFICATION LABEL
	Product Code - CAM701	This bunk bed model has been tested by an independent laboratory and is in compliance with EN 747-1:2012 + A1:2015 - Standard Consumer Safety Specification For Bunk Beds & High Beds
	Distributed by: Julian Bowen Limited Berrinck House, Park Lane Business Park, Wickby-in-Ashfield, Notcs, NG17 9LE	
	Factory ID: Manufactured In China Date of Manufacture: Touch - 2019	

Maximum Mattress Height
THESE LABELS ARE NOT TO BE REMOVED

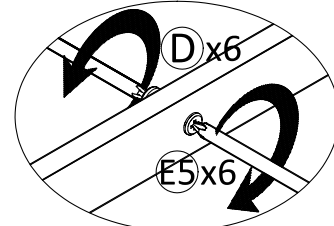
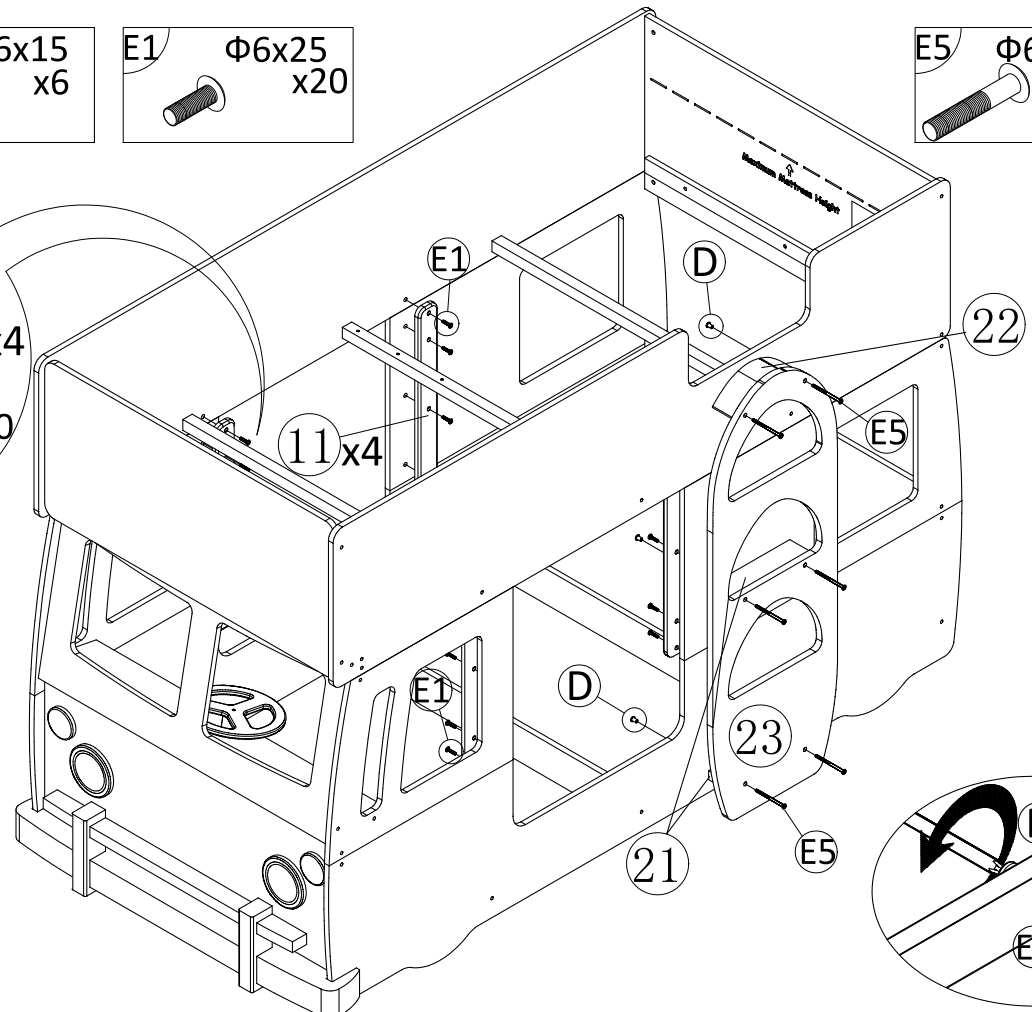
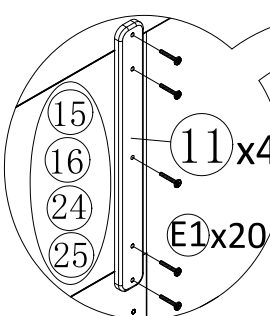
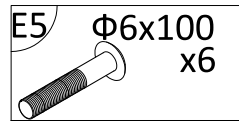
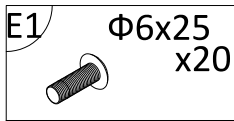
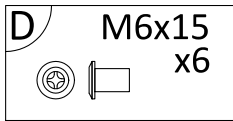


Do Not Use Power Tools

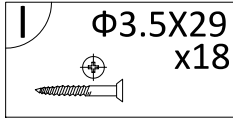
13



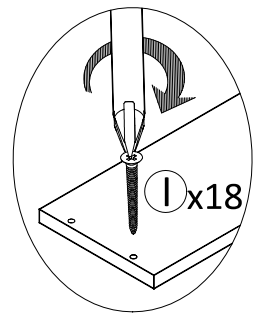
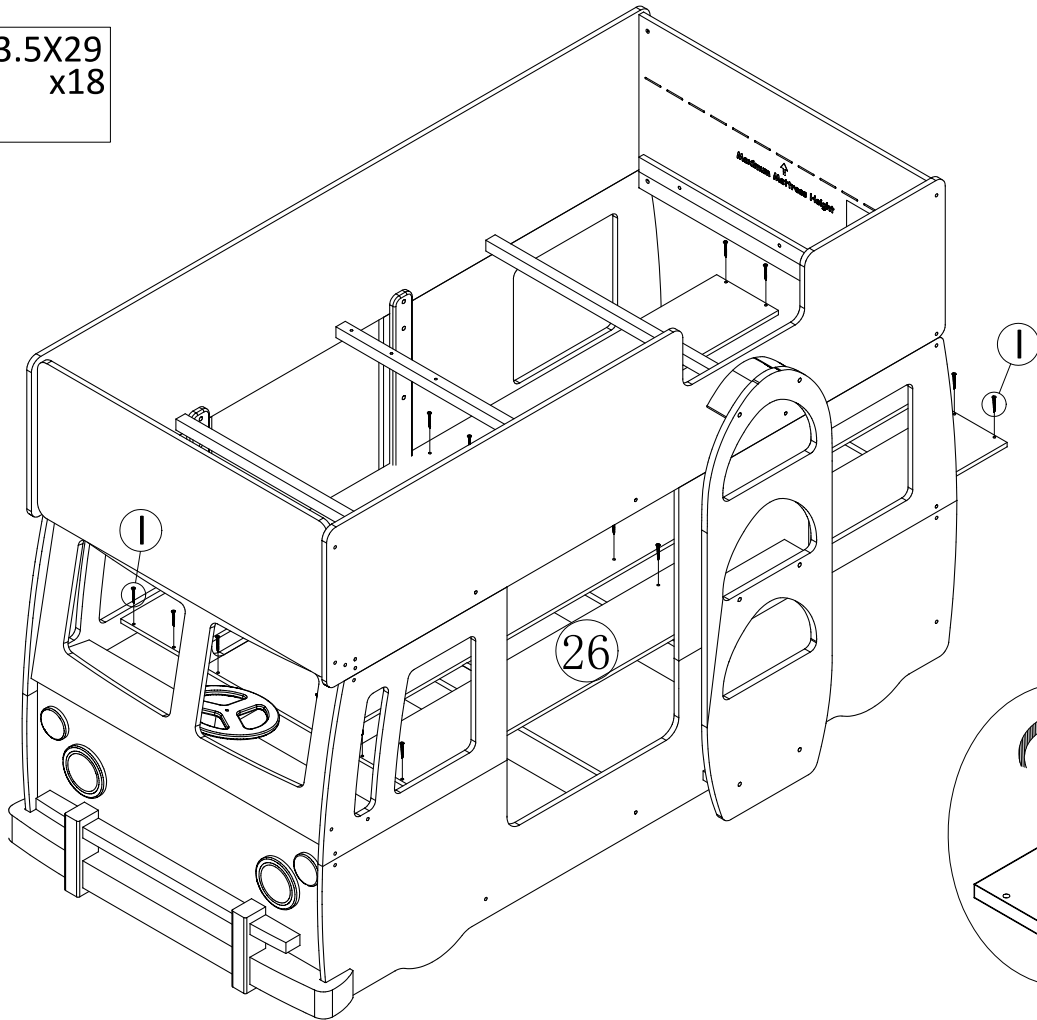
14



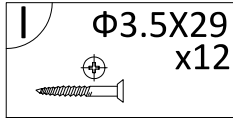
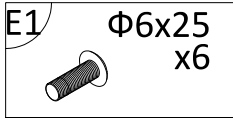
15



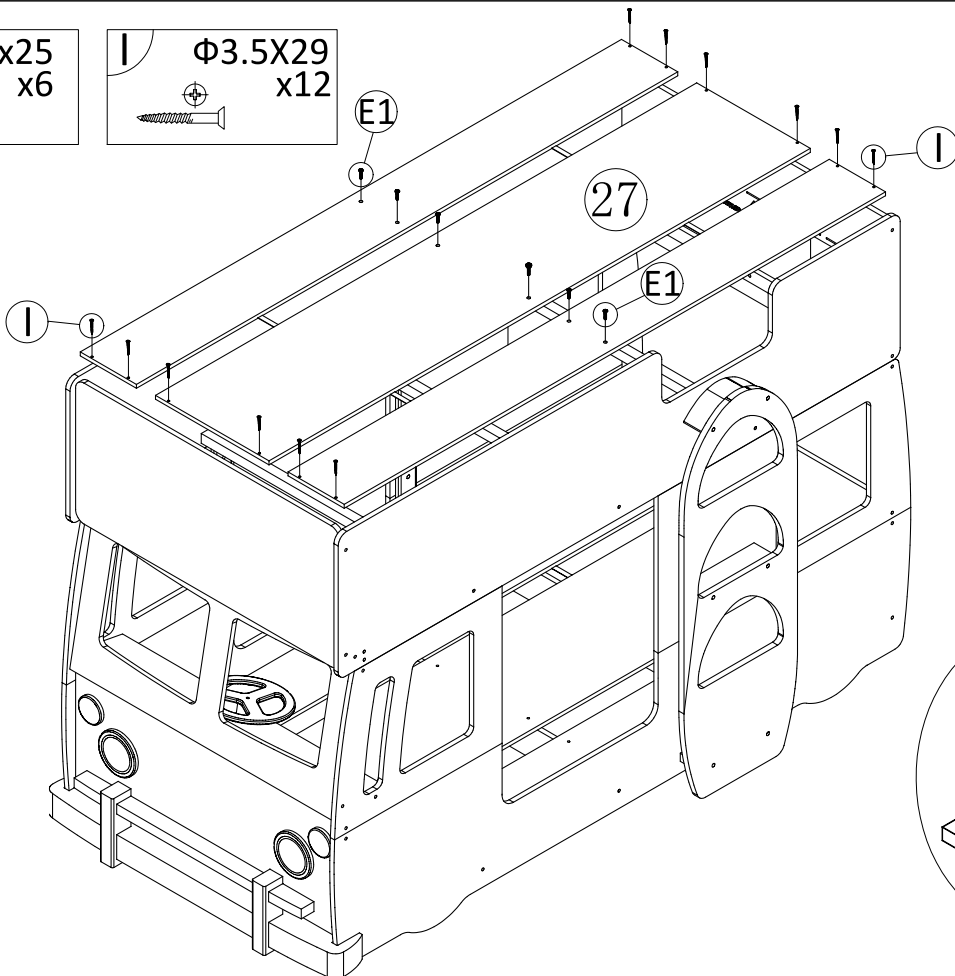
Do Not Use Power Tools



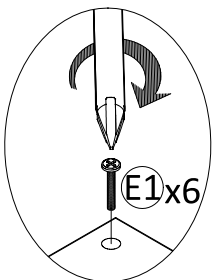
16



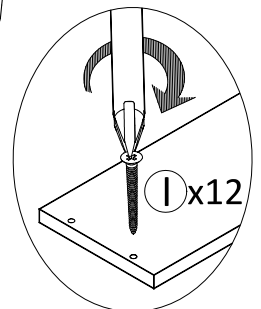
Do Not Use Power Tools



STEP 1



STEP 2



Your Campervan Bunk Bed Is Now Fully Assembled And Ready For Use.

General Care

Wipe clean with a slightly damp soft cloth.

Avoid the use of all household cleaners and abrasives.

When moving your furniture, carefully lift into place. Never drag or push the pieces across the floor as this will cause damage to the joints and could result in failure to the product that will invalidate the warranty.

Recommendations

Periodical re-tightening of fixings.

Warning

This unit is heavy. Please use an assistant when lifting.

Notes

We've tried to make this piece of furniture as easy to assemble as possible. In the unlikely event that you have problems putting it together or have damaged or missing pieces, please contact our customer services on 01623 727374