



Birlea

Suppliers of inspiration

Vendor: S000267



ASSEMBLY INSTRUCTIONS

LOFT 3 SEAT SOFA

IMPORTANT: READ THESE INSTRUCTIONS CAREFULLY BEFORE ASSEMBLING OR USING YOUR LOFT 3 SEAT SOFA.

PLEASE KEEP THESE INSTRUCTIONS FOR FUTURE REFERENCE.

HEALTH & SAFETY:

DO NOT jump on this sofa.

DO NOT use this sofa if any parts are missing, damaged or worn.

DO NOT use this sofa unless all fixings are secured.

Please keep small parts out of reach of children.

Always use on a level, even surface.

WARNING: If this sofa is placed on a non-carpeted floor you must place some protection under all legs to stop the sofa from moving. If this is not adhered to there is no guarantee if the sofa collapses.

CARE & MAINTENANCE:

Assemble in the room of use.

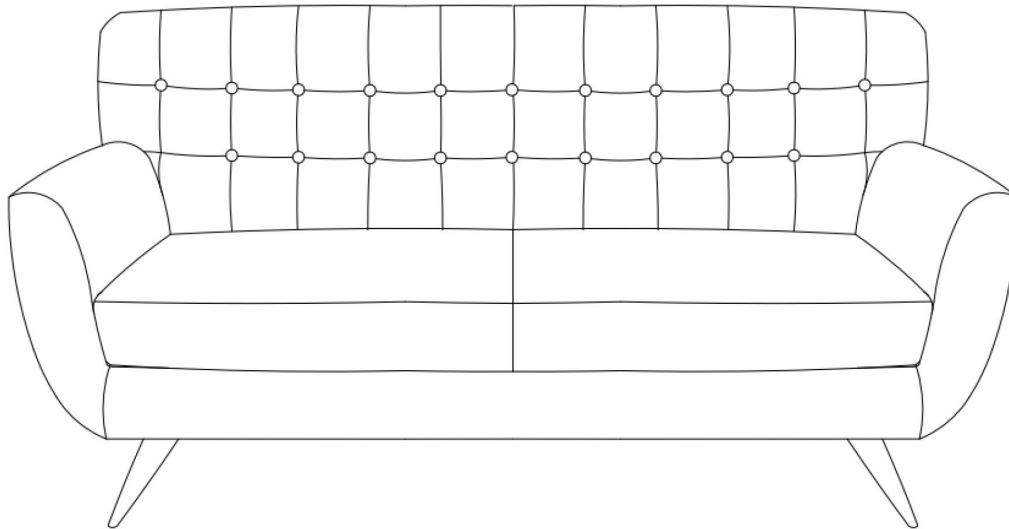
Periodically check all screws & fixings to ensure they are secure.

DO NOT push the sofa as this will damage the legs.

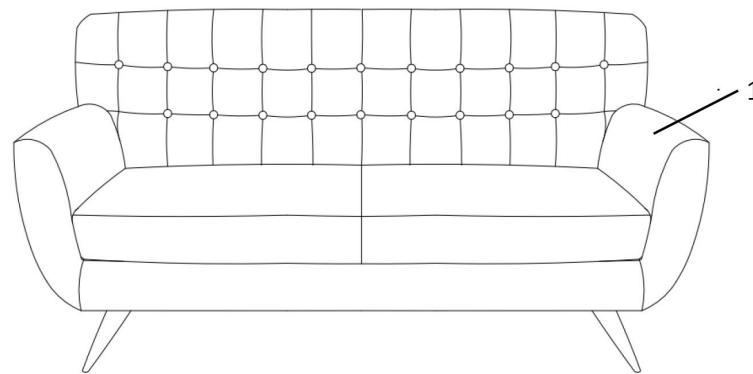
Always lift the sofa with two people to reposition.

Keep any sharp objects away from the sofa.

To clean use a damp (not wet) cloth and immediately wipe with a soft, dry cloth.



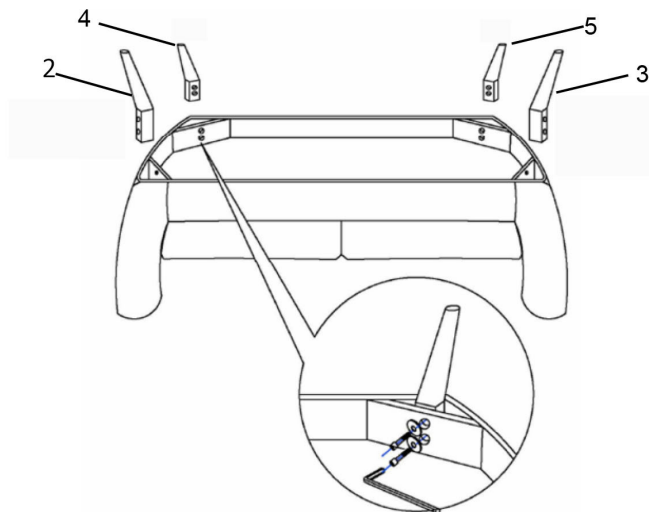
www.birlea.com



"PLEASE NOTE THE LEGS ARE PACKAGED IN A POCKET IN THE BASE OF SOFA"

Parts List			Hardware List		
Part	Description	Qty	Part	Description	Qty
1	Sofa	1	A	M8 Screw	8
2	Front Left Leg	1	B	M8 Washer	8
3	Front Right Leg	1			
4	Back Left Leg	1	C	Allen Key	1
5	Back Right Leg	1			

Step 1: Attach the legs (2, 3, 4, 5) to the sofa (1) using hardware parts A, B and C.
DO NOT use any power tools as this may damage the frame and will invalidate any claim.



Additional Information:

- For complete product information, images and dimension diagrams please visit the website www.birlea.com
- If you have any issues with your item please contact the retailer directly you purchased it from who will be able to resolve any issues with Birlea.
- Why don't you send us photos of your assembled furniture to info@birlea.com to be shared in our #birleahome feature on Instagram.