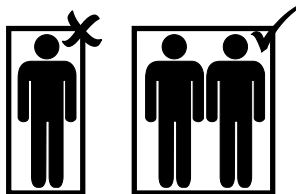
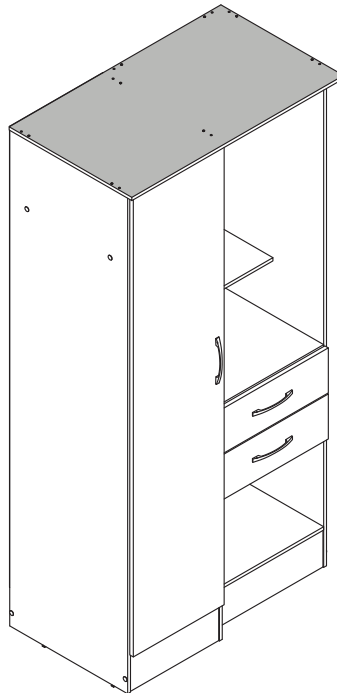


NEVADA VANITY 1 DOOR WARDROBE ASSEMBLY INSTRUCTIONS BLACK WOOD GRAIN

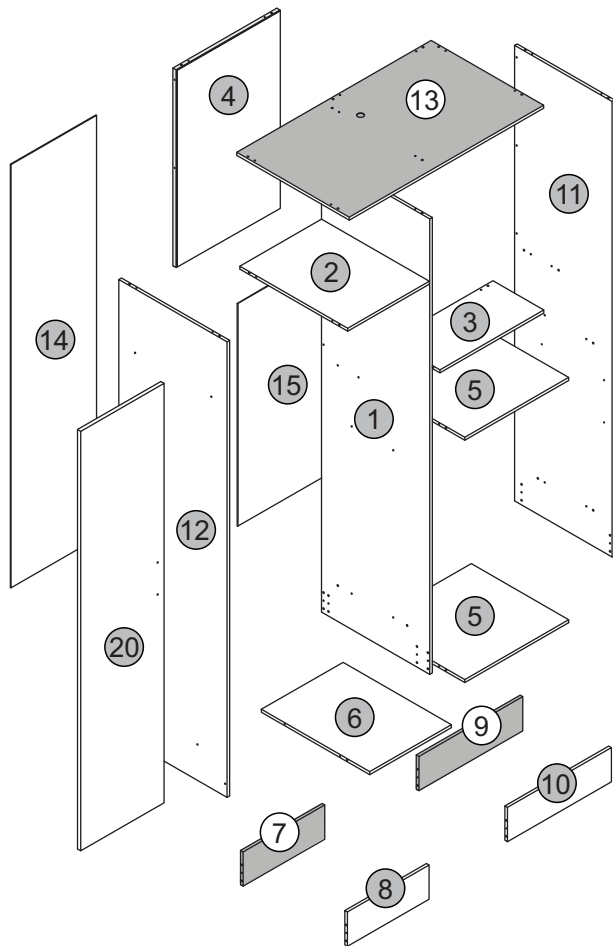


* You should assemble this product
in two people

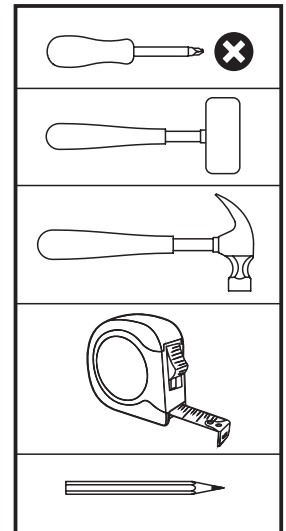


IMPORTANT FOR DOMESTIC USE ONLY PLEASE READ BEFORE YOU CONTINUE FURTHER CARE AND MAINTENANCE

- After unpacking this product please keep the original packaging in case it needs to be returned for any reason.
- Please ensure all fittings and parts are present before commencing with assembly.
 - Never drag or push products as this could cause damage to the joints making it inferior.
 - We strongly recommend that you keep children away from your work area.
 - We recommend that you lay a blanket or sheet on the floor to avoid damage to both your floor and the product.
 - Assemble this product as close to its final position as possible.
 - Do not place this product next to a radiator or in direct sunlight.
 - Do not drag or push items across your high gloss furniture as this may cause the surface to scratch
 - Wood is a natural product and may expand if subjected to damp and may shrink or crack if subjected to heat. Therefore it is recommended that room temperature is maintained, with no sudden temperature fluctuations.
 - Make sure any spillage is wiped off immediately.
 - Do not place hot or chilled items directly on to the surface, use a place mat or marking will occur.
 - For general cleaning use a soft cotton or micro fibre cloth, and do not use detergents of any kind.
 - From time to time it may be necessary to tighten fittings, regular inspections should be carried out.
 - Do not place on a wet or damp floor as staining may occur to your floor.



TOOLS REQUIRED

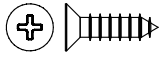


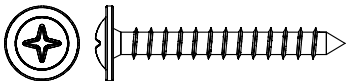
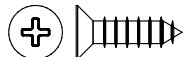
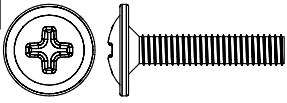
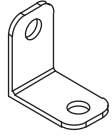
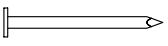


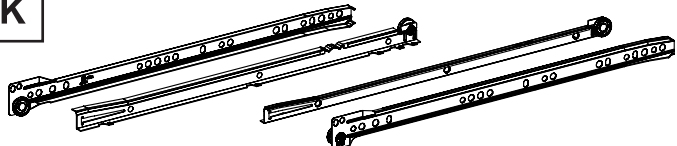
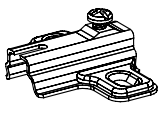
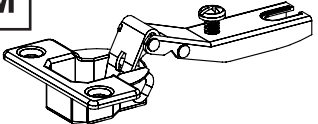
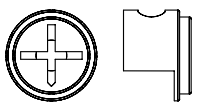
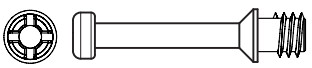

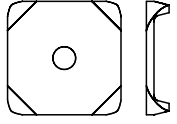
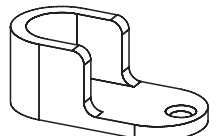
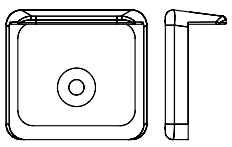

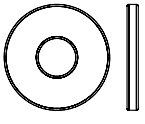
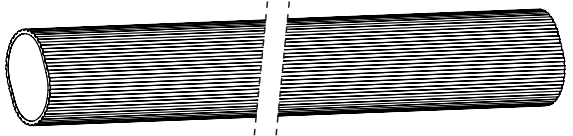
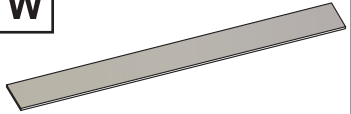
**PARTS LIST****Please Note:**

The below parts have all been stamped with the part number to help identify them during assembly

| Part Number | Part Code | Part Description | Quantity | Carton |
|--------------------|---------------------|-------------------------|-----------------|---------------|
| 1 | S100-101-154-DM1-01 | Division Panel | 1 | 1/2 |
| 2 | S100-101-154-DM1-02 | Small Shelf | 1 | 2/2 |
| 3 | S100-101-154-DM1-03 | Mirror Shelf | 1 | 2/2 |
| 4 | S100-101-154-DM1-04 | Mirror Panel | 1 | 2/2 |
| 5 | S100-101-154-DM1-05 | Large Shelf | 2 | 2/2 |
| 6 | S100-101-154-DM1-06 | Left Base | 1 | 2/2 |
| 7 | S100-101-154-DM1-07 | Small Back Baseboard | 1 | 2/2 |
| 8 | S100-101-154-DM1-08 | Small Front Baseboard | 1 | 2/2 |
| 9 | S100-101-154-DM1-09 | Back Baseboard | 1 | 2/2 |
| 10 | S100-101-154-DM1-10 | Front Baseboard | 1 | 2/2 |
| 11 | S100-101-154-DM1-11 | Right Side Panel | 1 | 1/2 |
| 12 | S100-101-154-DM1-12 | Left Side Panel | 1 | 1/2 |
| 13 | S100-101-154-DM1-13 | Top Panel | 1 | 2/2 |
| 14 | S100-101-154-DM1-14 | Large Back Panel | 1 | 1/2 |
| 15 | S100-101-154-DM1-15 | Small Back Panel | 1 | 2/2 |
| 16 | S100-101-154-DM1-16 | Drawer Front | 2 | 2/2 |
| 17 | S100-101-154-DM1-17 | Drawer Side | 4 | 2/2 |
| 18 | S100-101-154-DM1-18 | Drawer Back Panel | 2 | 2/2 |
| 19 | S100-101-154-DM1-19 | Drawer Bottom | 2 | 2/2 |
| 20 | S100-101-154-DM1-20 | Door | 1 | 1/2 |

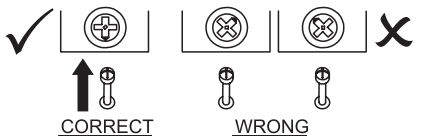
FITTINGS LIST

SEC/SW/12/21/DM1

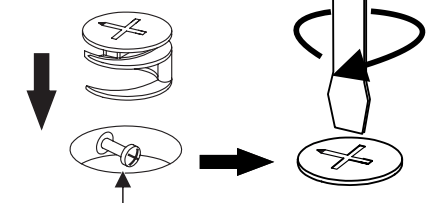
| | | |
|--|---|---|
| A  Flat Head Screw Ø3,5 x 12mm (12x) 2/+ | B  Flat Head Screw Ø6,0 x 8mm (8x) 2/+ | C  Flat Head Screw Ø3,5 x 40mm (46x) 2/+ |
| D  Flan Head Screw Ø3,5 x 30mm (2x) 1/+ | E  Flat Head Screw Ø4,0 x 14mm (20x) 2/+ | F  Flan Head Screw Ø4,0 x 20mm (6x) 1/+ |
| G  "L" Metallic Support (2x) 1/+ | H  Nail 10 x 10 (95x) 5/+ | I  Handle (3x) |
| J  Glue (3x) | K  Drawer Runners (2x) | L  Hinge Plate (3x) |
| M  Hinge (3x) | N  Cam Nut 12mm (4x) 1/+ | O  Cam Bolt (4x) 1/+ |
| P  Dowel Ø6,0 x 30mm (62x) 2/+ | Q  Back Panel Bracket (8x) 2/+ | R  Hanging Rail Support (2x) |
| S  Plastic Foot (6x) 1/+ | T  Hole Plugs (35x) 2/+ | U  Washer (4x) 1/+ |
| V  Hanging Rail (1x) | W  Strap 200mm (2x) | |

TIPS FOR FITTINGS CAM-LOCKS

WHEN FITTING CAM NUT. ENSURE STARTING POSITION IS CORRECT BEFORE YOU INSERT CONNECTING CAM BOLT TURN CLOCKWISE UNTIL SECURE



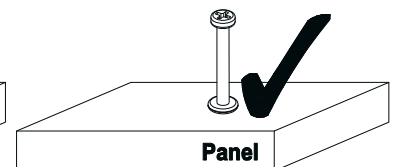
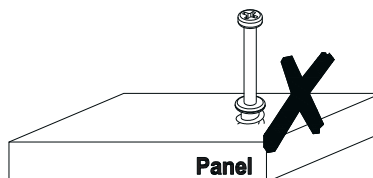
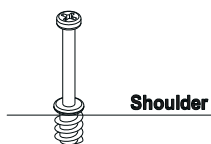
CORRECT
 WRONG



Cam bolt head needs to be in centre

CAMBOLT

Tighten until shoulder in flush with panel. Do not overtighten or undertighten (see example beside)




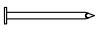
STEP 1

PARTS REQUIRED

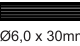
12 - LEFT SIDE PANEL x1

HARDWARE REQUIRED

A  02
Ø3,5 x 12mm

H  02

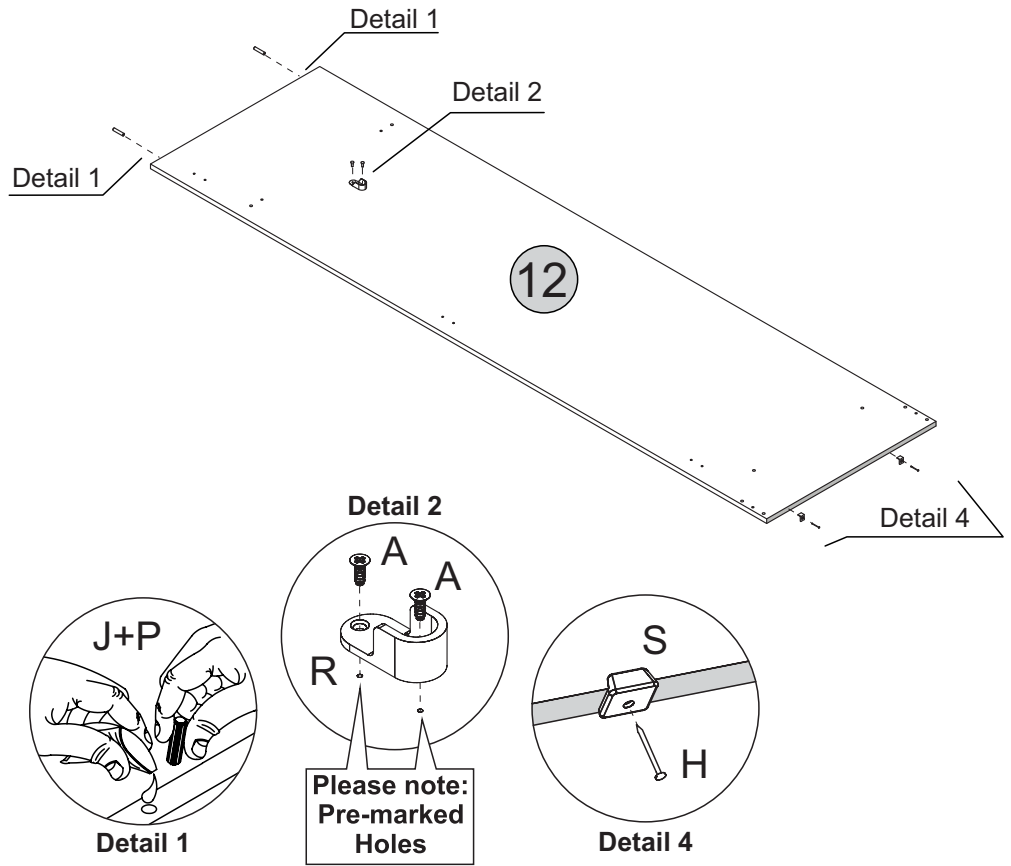
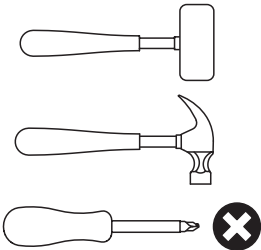
J  01

P  02
Ø6,0 x 30mm

R  01

S  02

TOOLS REQUIRED




STEP 2

PARTS REQUIRED

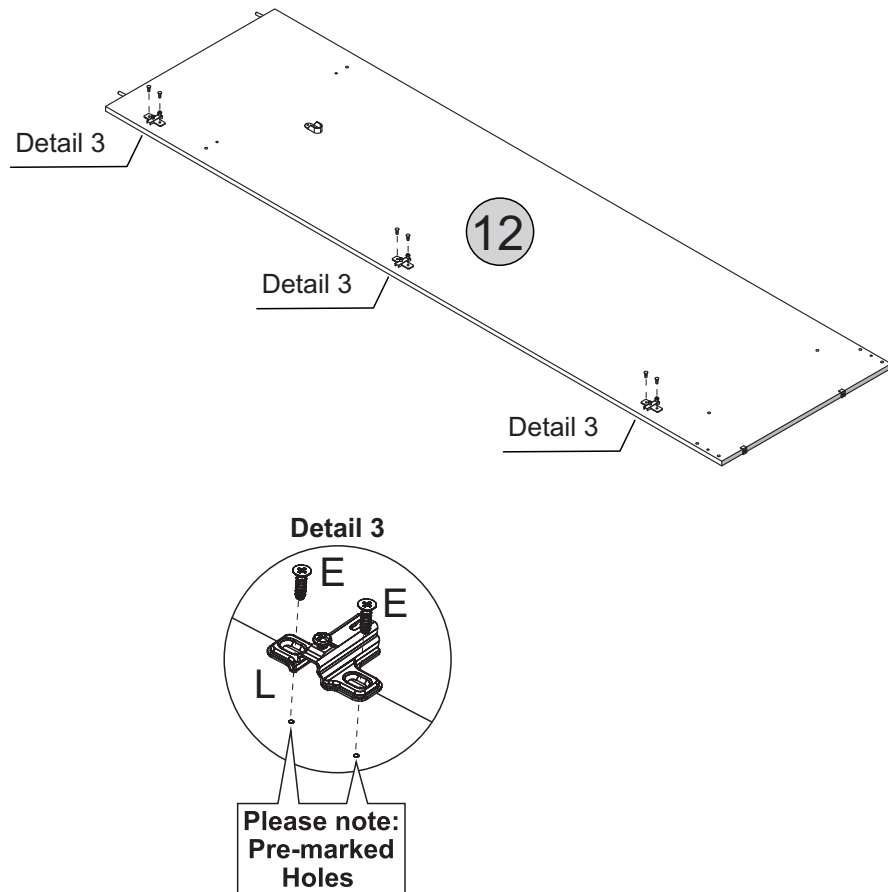
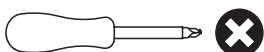
12 - LEFT SIDE PANEL x1

HARDWARE REQUIRED

E  06
Ø4,0 x 14mm

L  03

TOOLS REQUIRED





STEP 3

PARTS REQUIRED


1 - DIVISION PANEL x1

HARDWARE REQUIRED

A  02
Ø3,5 x 12mm

H  02

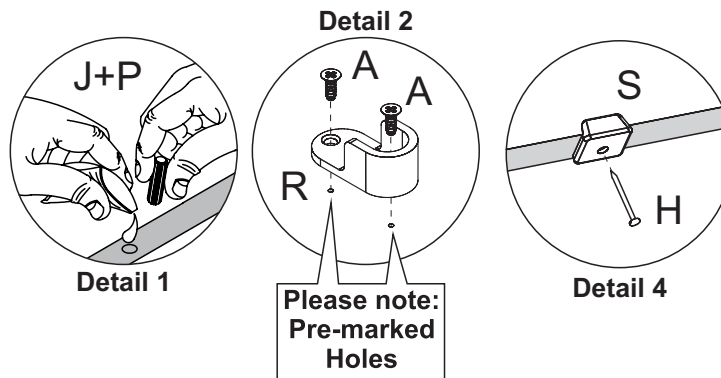
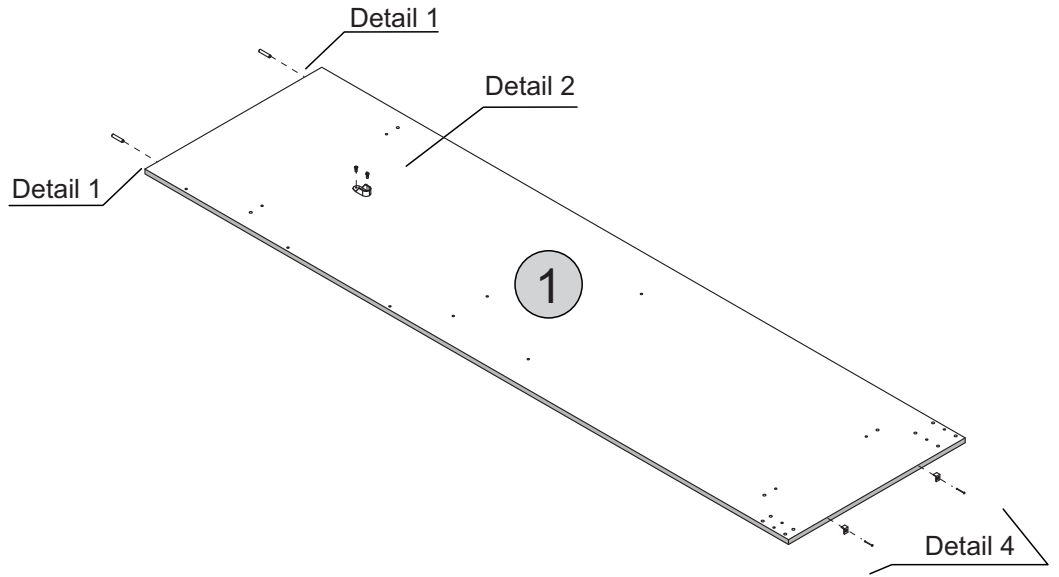
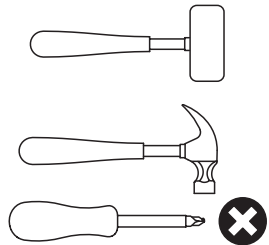
J  01
Glue

P  02
Ø6,0 x 30mm

R  01

S  02

TOOLS REQUIRED



STEP 4

PARTS REQUIRED

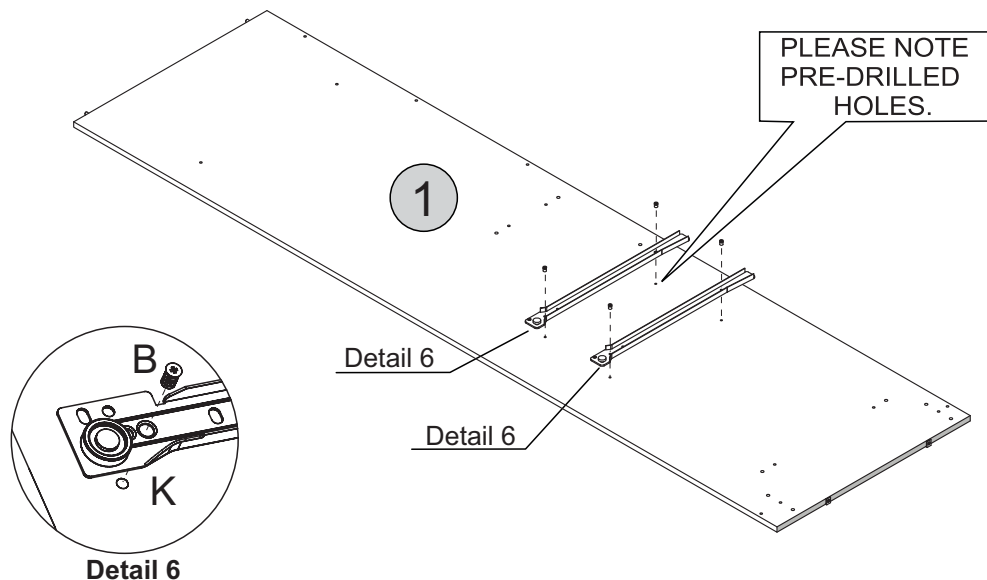
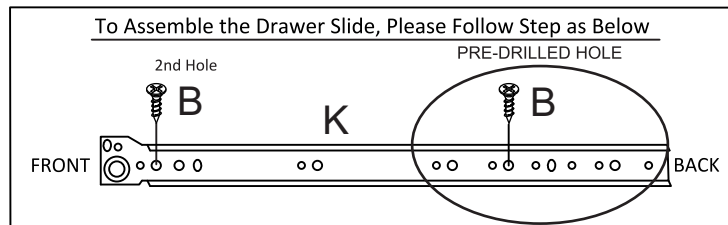
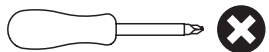
1 - DIVISION PANEL x1

HARDWARE REQUIRED

B  04
Ø6,0 x 8mm

K  02
Left

TOOLS REQUIRED



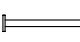
STEP 5

PARTS REQUIRED

11 - RIGHT SIDE PANEL x1


HARDWARE REQUIRED

B  04
Ø6,0 x 8mm

H  02

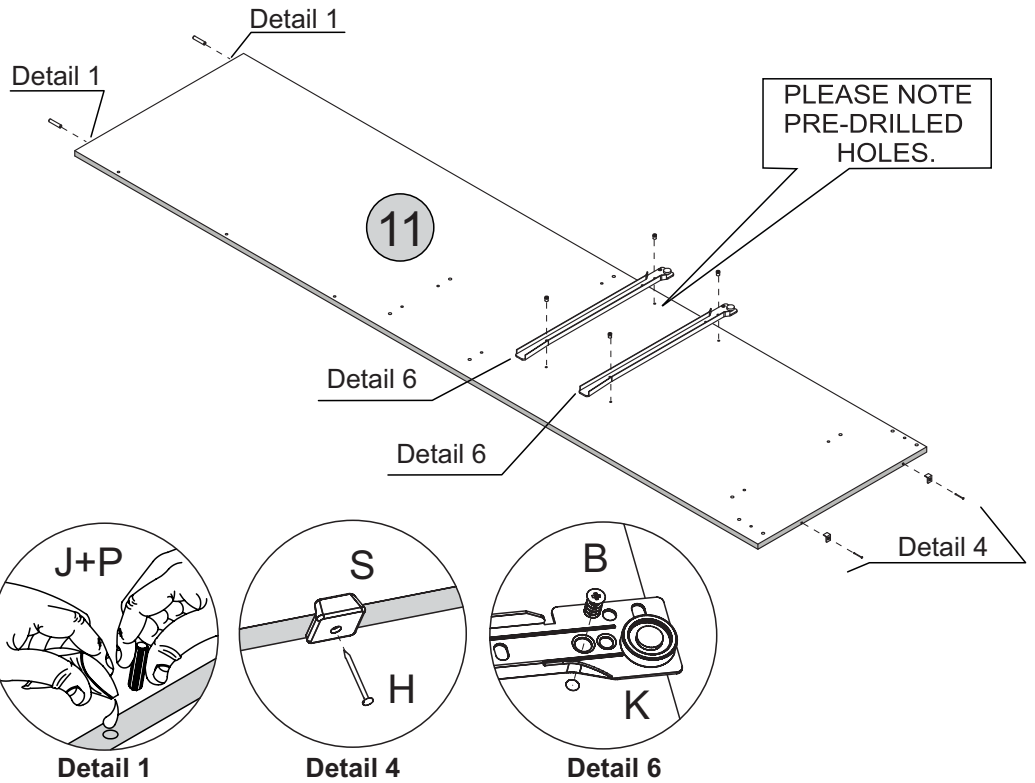
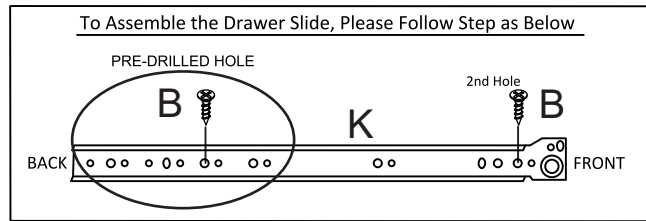
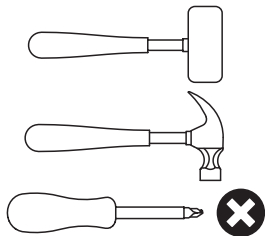
J  01

K  02
Right

P  02
Ø6,0 x 30mm

S  02

TOOLS REQUIRED



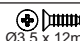
STEP 6

PARTS REQUIRED

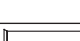
5 - LARGE SHELF x2

6 - LEFT BASE x1

HARDWARE REQUIRED

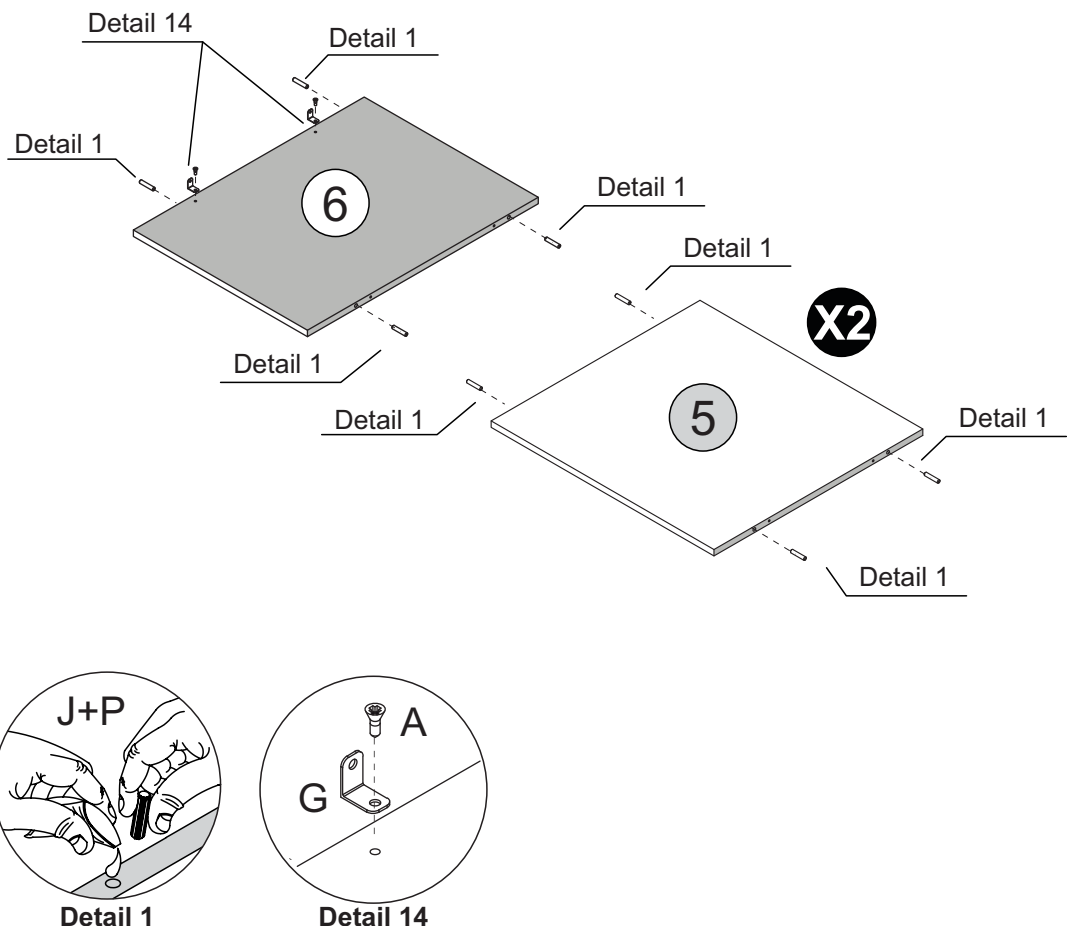
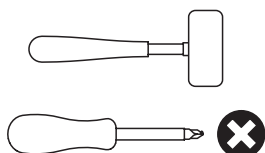
A  02
Ø3,5 x 12mm

G  02

J  01

P  12
Ø6,0 x 30mm

TOOLS REQUIRED


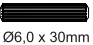


STEP 7

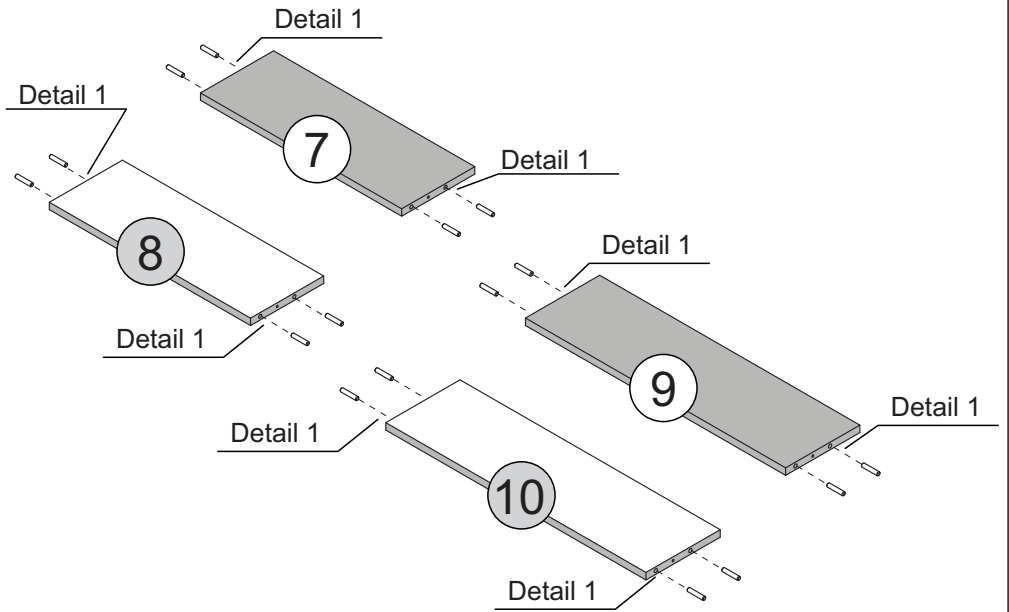
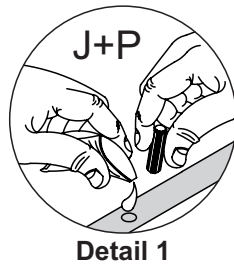
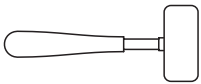
PARTS REQUIRED

- 7 - SMALL BACK BASEBOARD x1
- 8 - SMALL FRONT BASEBOARD x1
- 9 - BACK BASEBOARD x1
- 10- FRONT BASEBOARD x1

HARDWARE REQUIRED

- J  01
- P  Ø6,0 x 30mm 16

TOOLS REQUIRED


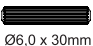


STEP 8

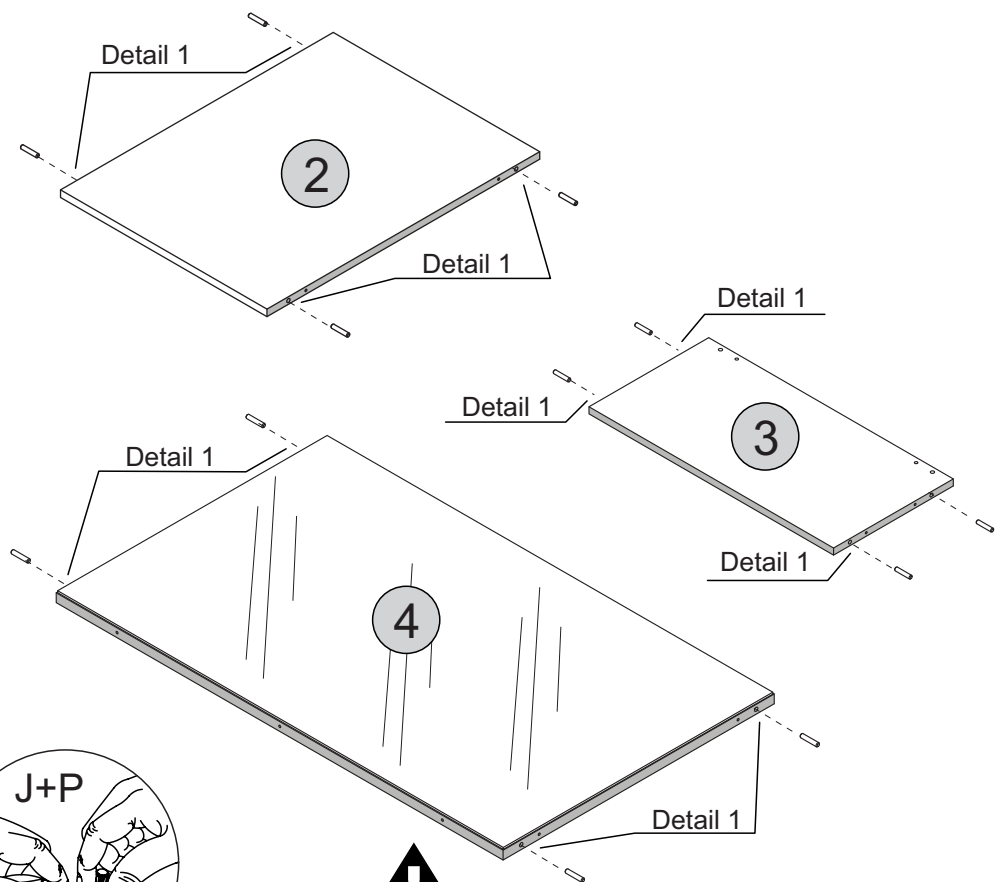
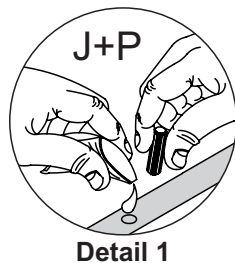
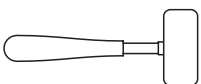
PARTS REQUIRED

- 2 - SMALL SHELF x1
- 3 - MIRROR SHELF x1
- 4 - MIRROR PANEL x1

HARDWARE REQUIRED

- J  01
- P  Ø6,0 x 30mm 12

TOOLS REQUIRED





STEP 9

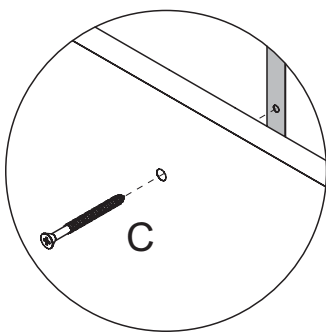
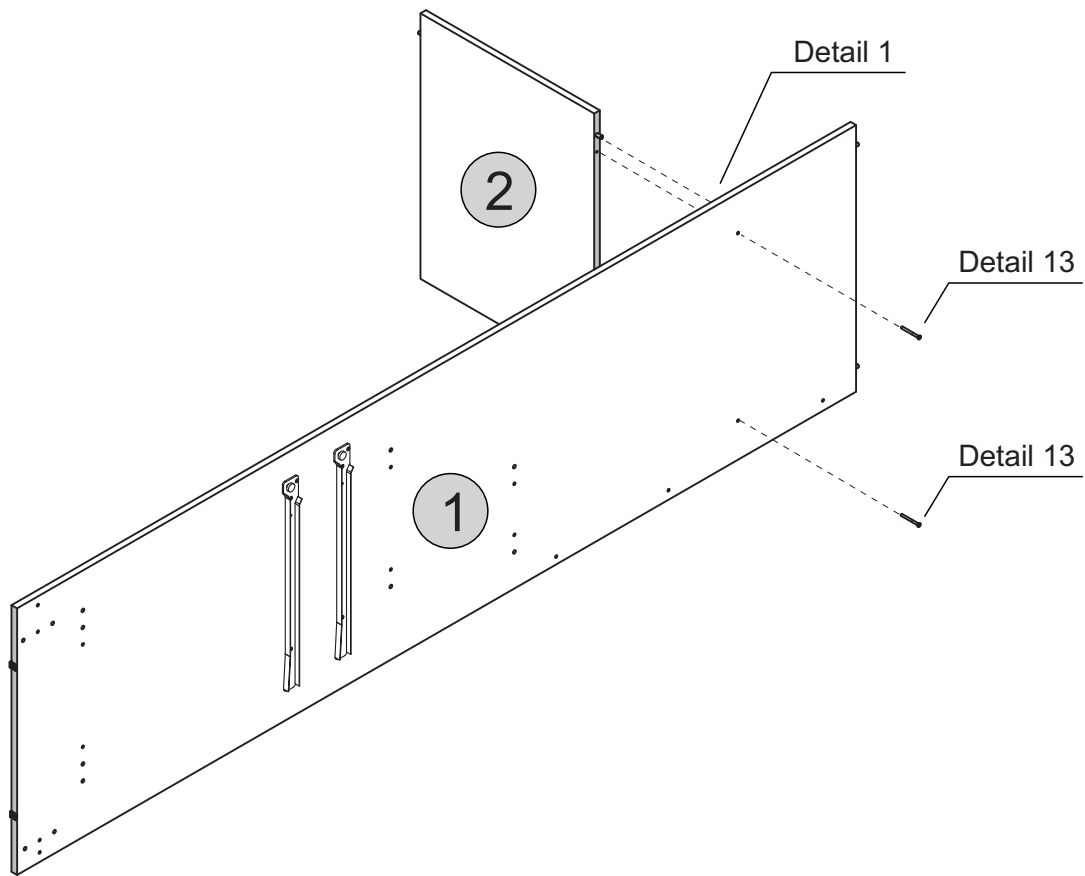
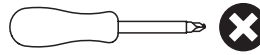
PARTS REQUIRED

| | |
|--------------------|----|
| 1 - DIVISION PANEL | x1 |
| 2 - SMALL SHELF | x1 |

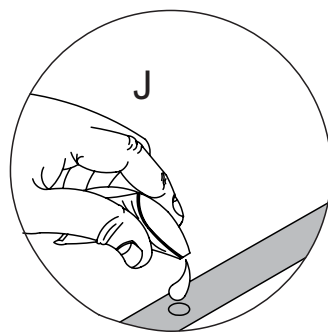
HARDWARE REQUIRED

| | | |
|---|---|----|
| C |  Ø3,5 x 40mm | 02 |
| J |  Glue | 01 |

TOOLS REQUIRED



Detail 13

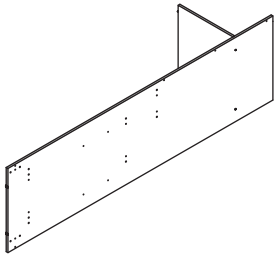


Detail 1

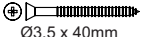
STEP 10

PARTS REQUIRED

3 - MIRROR SHELF x1

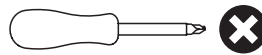


HARDWARE REQUIRED

C  02
Ø3,5 x 40mm

J  01

TOOLS REQUIRED



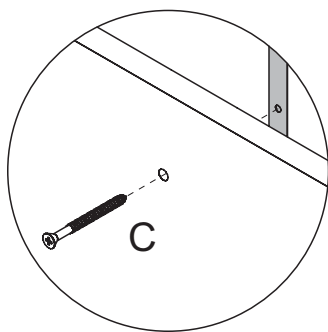
Detail 13

Detail 13

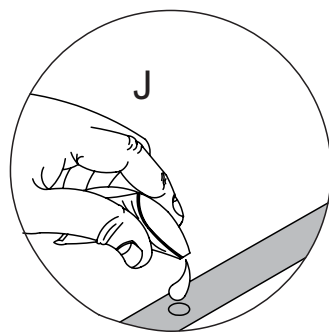
Detail 1

Detail 1

3



Detail 13

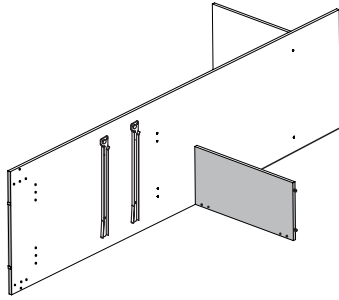


Detail 1

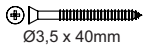
STEP 11

PARTS REQUIRED

4 - MIRROR PANEL x1

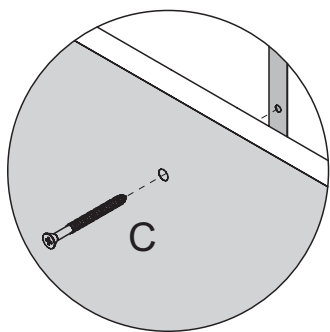
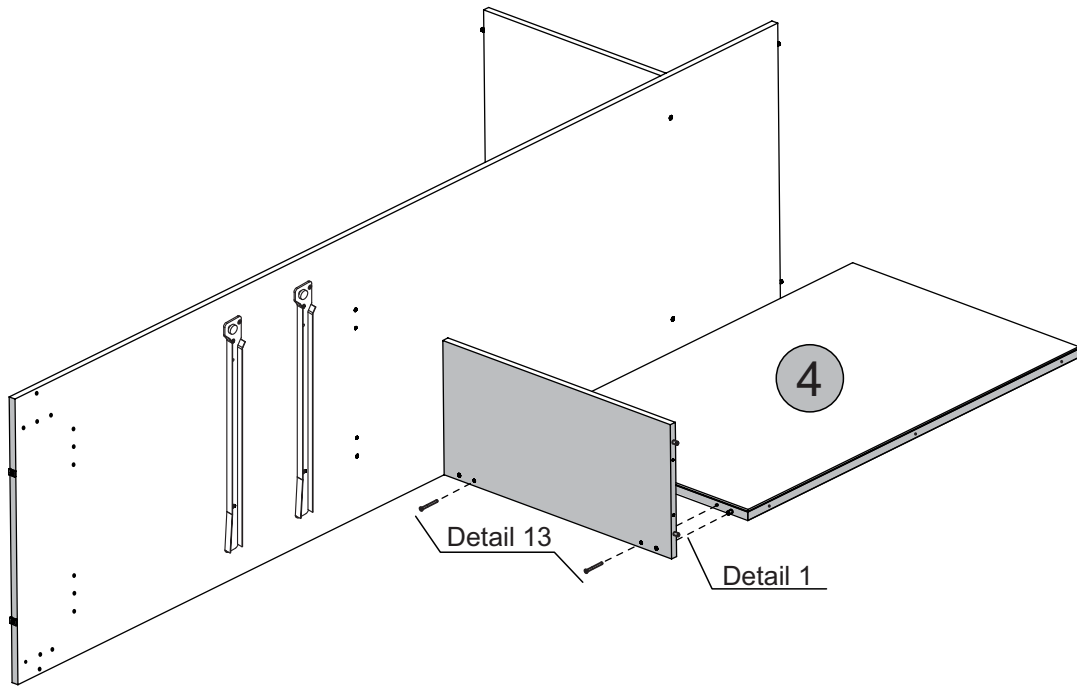
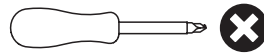


HARDWARE REQUIRED

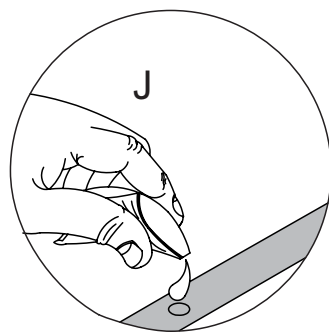
C  02
Ø3,5 x 40mm

J  01

TOOLS REQUIRED



Detail 13

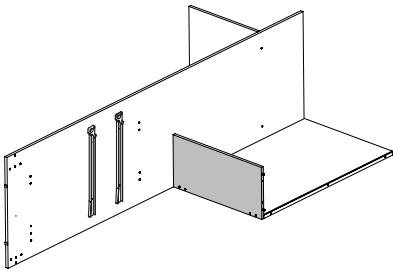


Detail 1


STEP 12

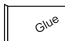
PARTS REQUIRED

5 - LARGE SHELF x2

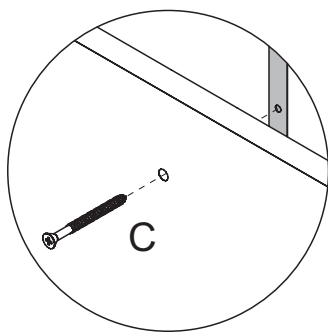
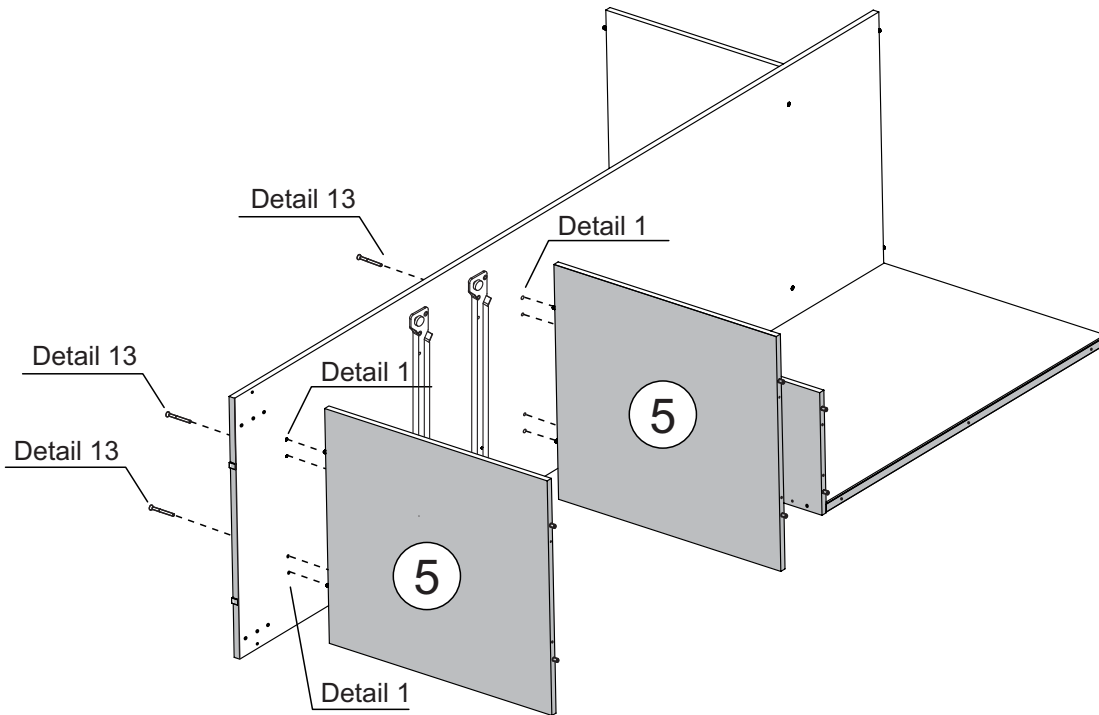
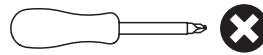


HARDWARE REQUIRED

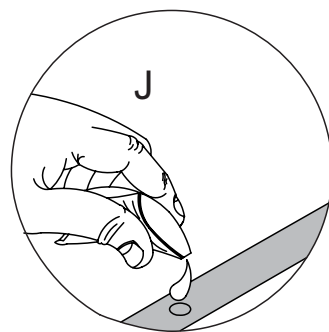
C  Ø3,5 x 40mm 04

J  01

TOOLS REQUIRED



Detail 13

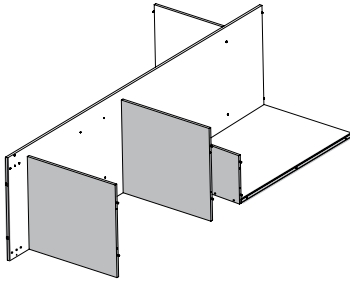


Detail 1

STEP 13

PARTS REQUIRED

6 - LEFT BASE x1

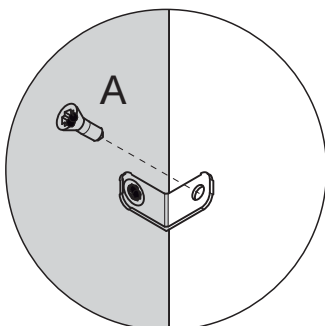
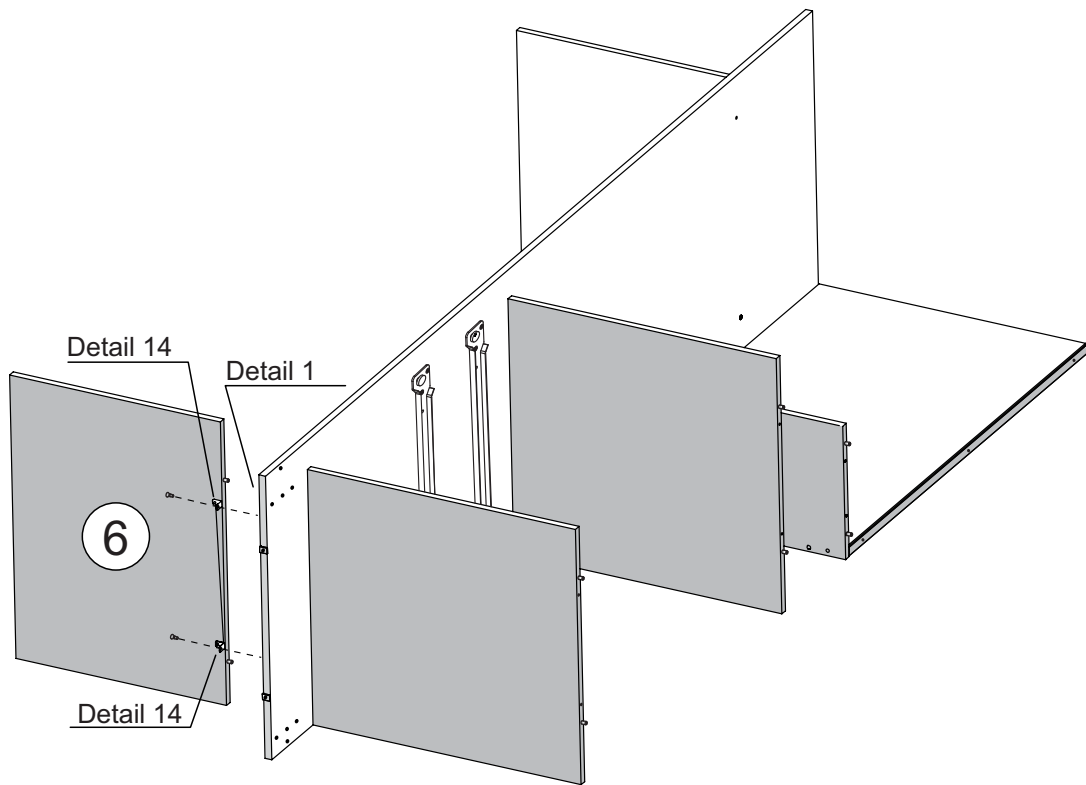
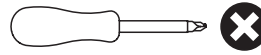


HARDWARE REQUIRED

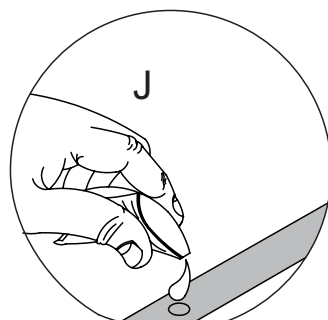
A  02
Ø3,5 x 12mm

J  01
Glue

TOOLS REQUIRED



Detail 14



Detail 1

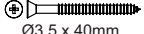
STEP 14


PARTS REQUIRED

7 - SMALL BACK BASEBOARD x1

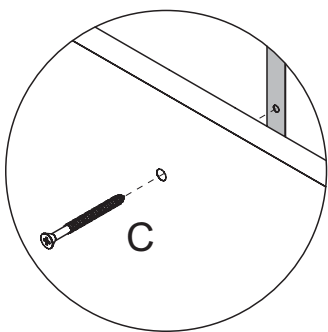
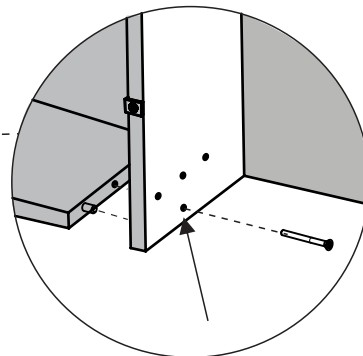
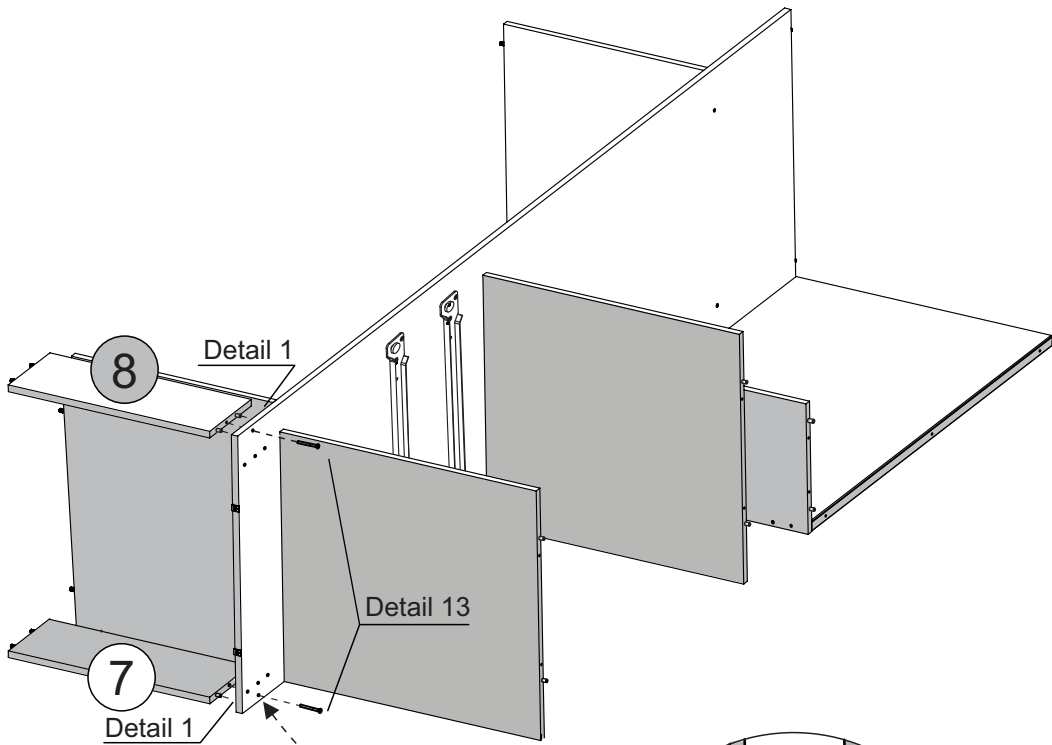
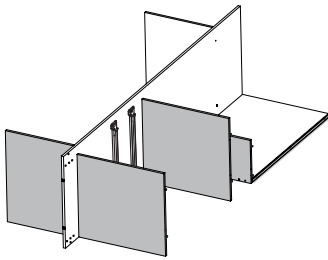
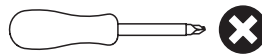
8 - SMALL FRONT BASEBOARD x1

HARDWARE REQUIRED

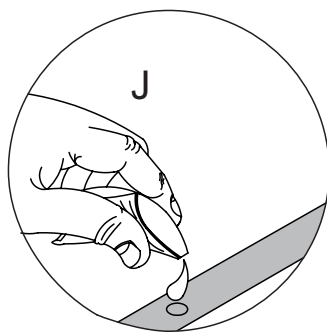
C  02
Ø3,5 x 40mm

J  01
Glue

TOOLS REQUIRED



Detail 13





Detail 1

STEP 15

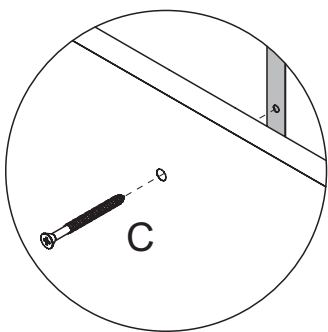
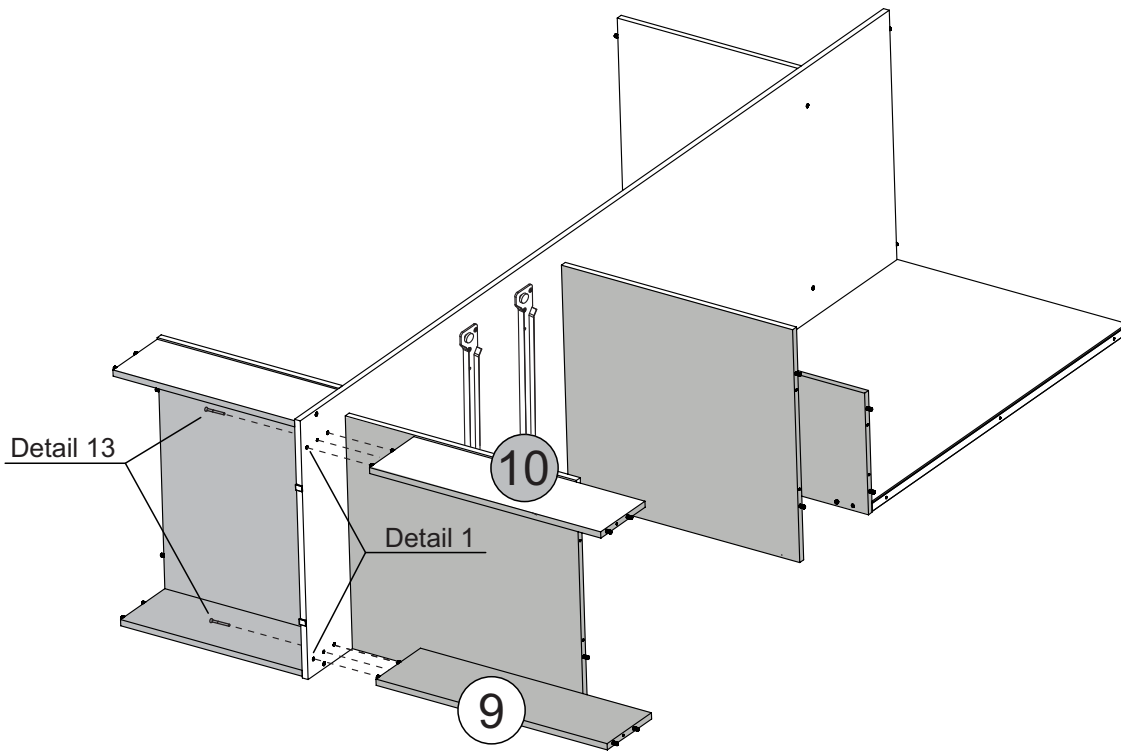
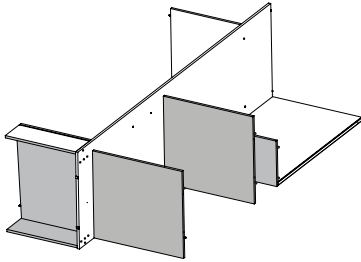
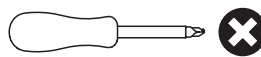
PARTS REQUIRED

- 9 - BACK BASEBOARD x1
- 10 - FRONT BASEBOARD x1

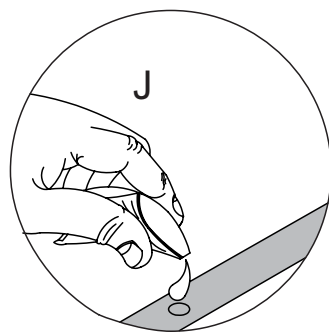
HARDWARE REQUIRED

- C  Ø3,5 x 40mm 02
- J  01

TOOLS REQUIRED



Detail 13



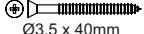
Detail 1


STEP 16

PARTS REQUIRED

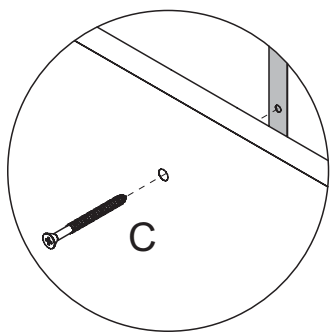
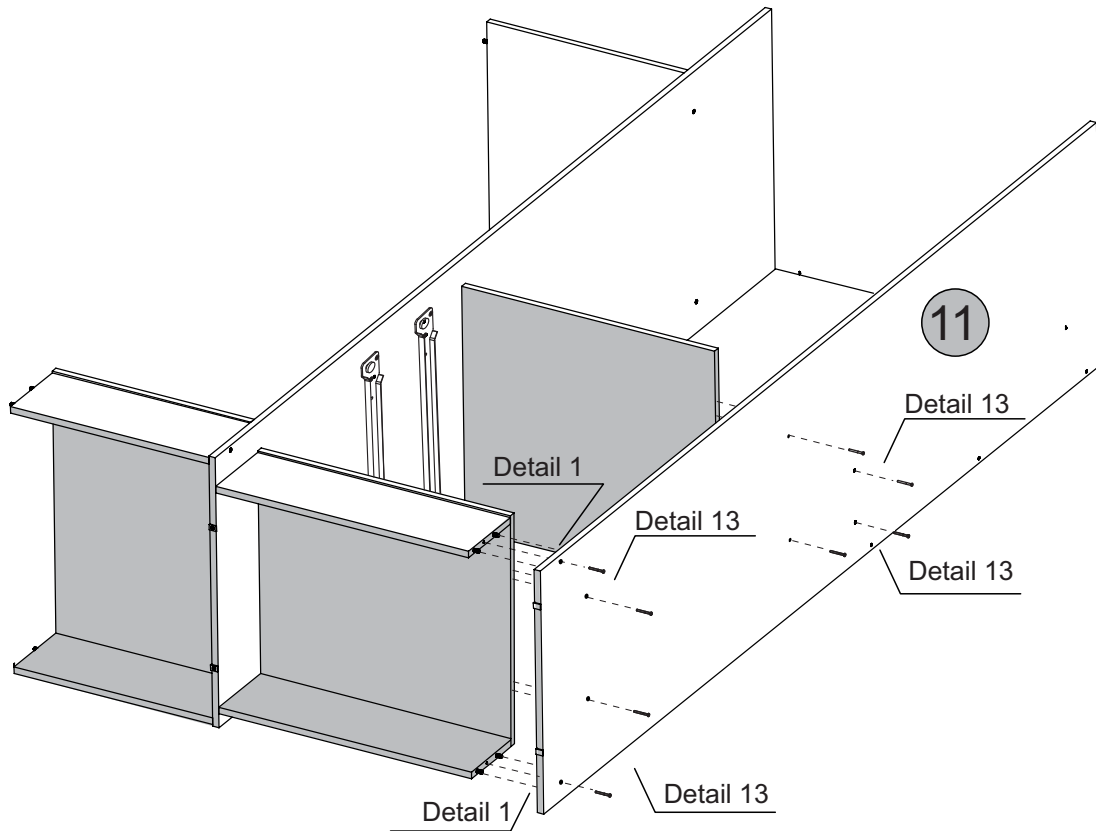
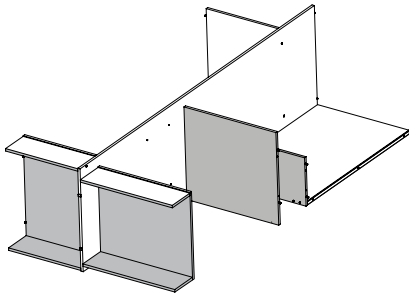
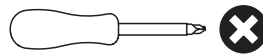
11 -RIGHT SIDE PANEL x1

HARDWARE REQUIRED

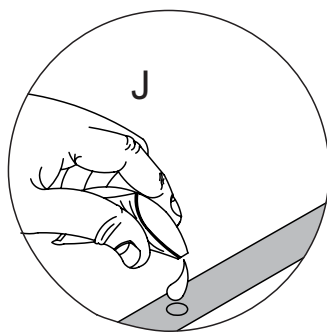
C  08
Ø3,5 x 40mm

J  01
Glue

TOOLS REQUIRED



Detail 13



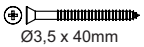
Detail 1

STEP 17

PARTS REQUIRED

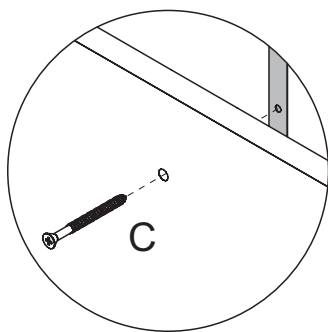
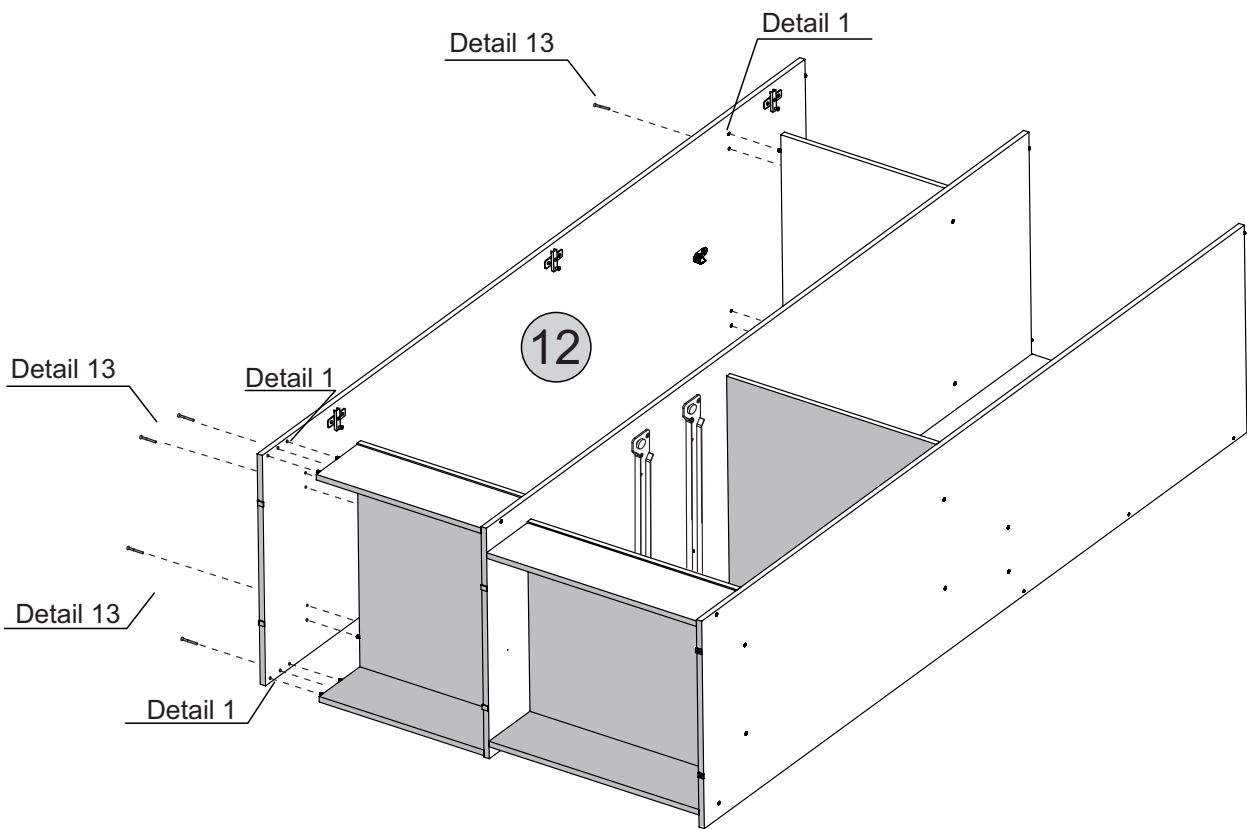
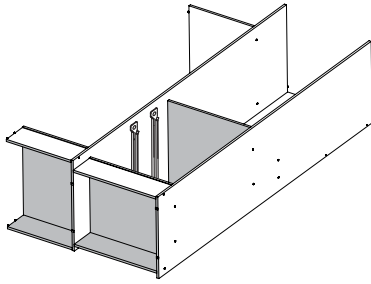
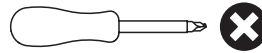
12 - LEFT SIDE PANEL x1

HARDWARE REQUIRED

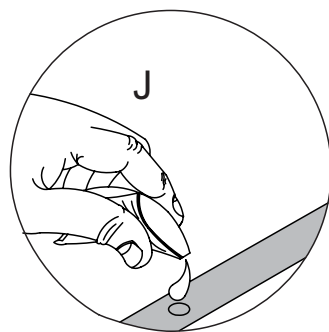
C  06
Ø3,5 x 40mm

J  01

TOOLS REQUIRED



Detail 13

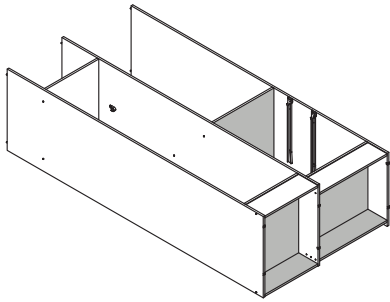


Detail 1

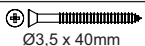
STEP 18

PARTS REQUIRED

13 - TOP PANEL x1

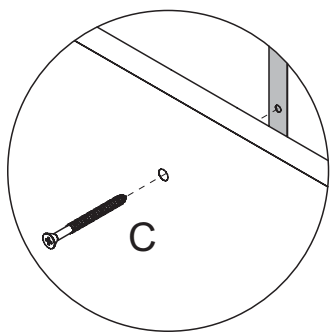
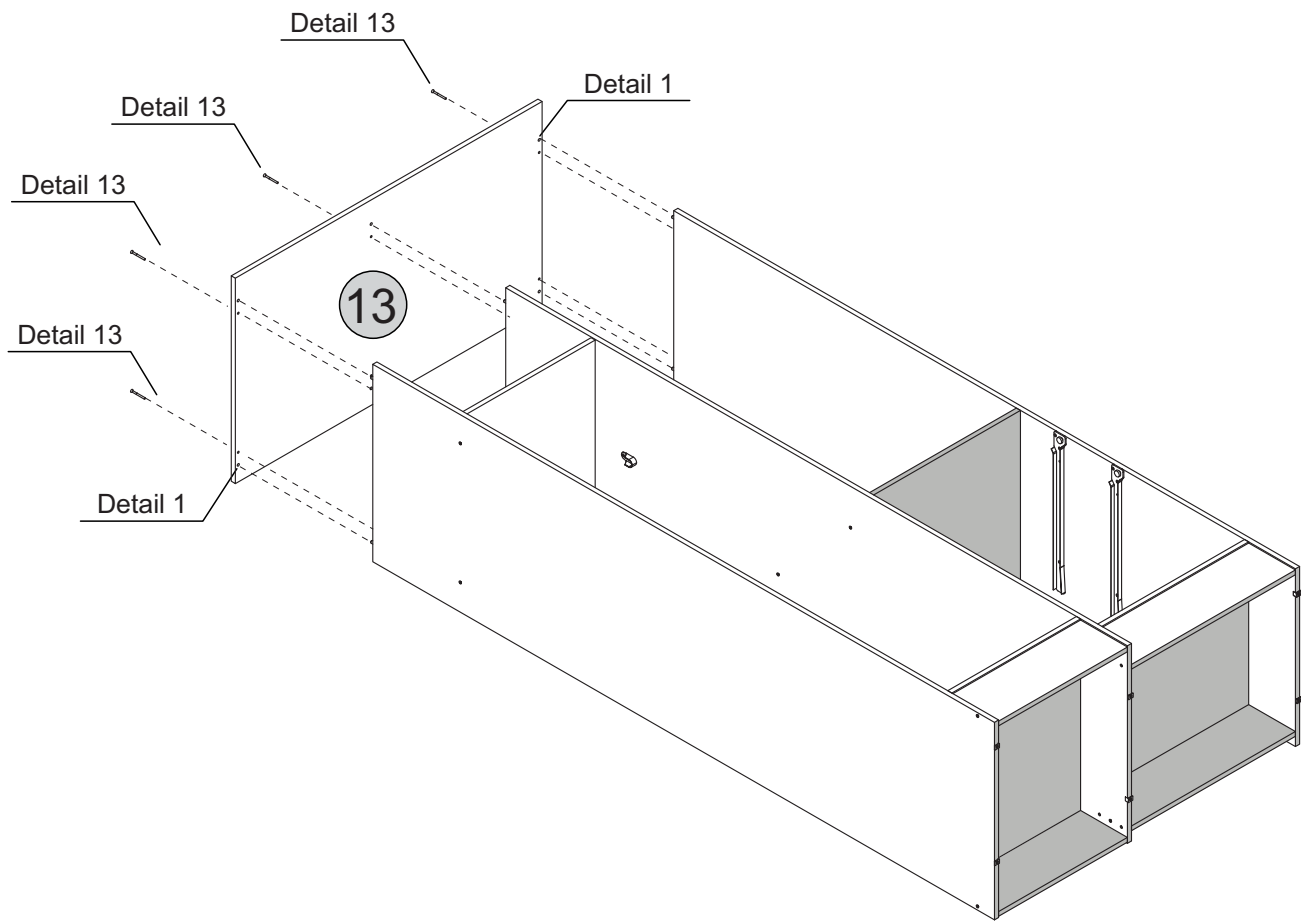
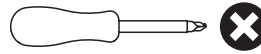


HARDWARE REQUIRED

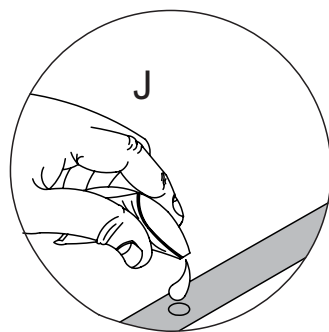
C  06
Ø3,5 x 40mm

J  01
Glue

TOOLS REQUIRED



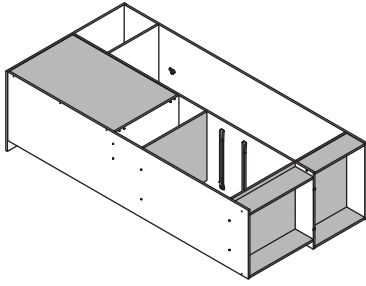
Detail 13




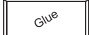
Detail 1

STEP 19

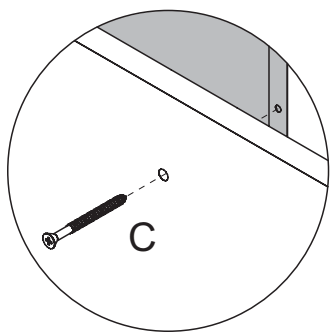
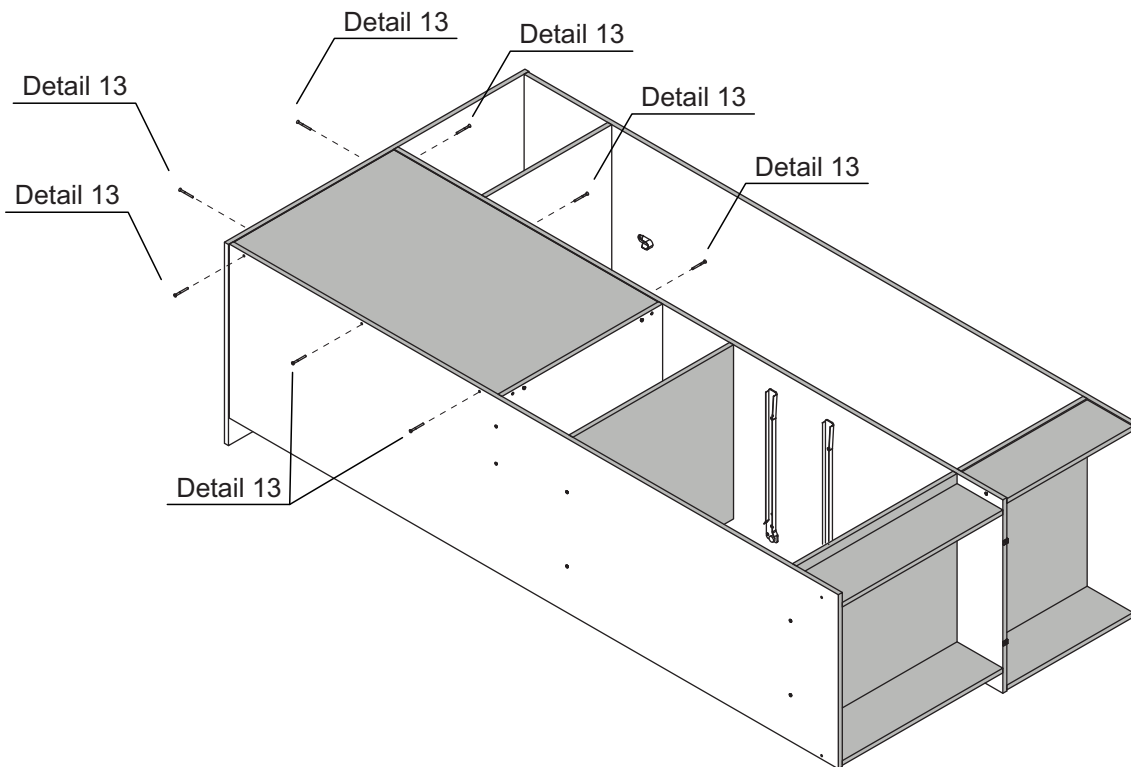
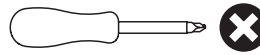
PARTS REQUIRED



HARDWARE REQUIRED

| | | |
|---|---|----|
| C |  Ø3,5 x 40mm | 08 |
| J |  Glue | 01 |

TOOLS REQUIRED



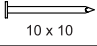
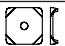
Detail 13

STEP 20

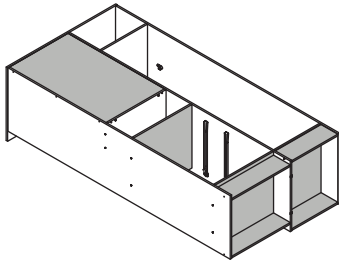
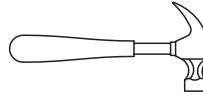
PARTS REQUIRED

- 14 - LARGE BACK PANEL x1
- 15 - SMALL BACK PANEL x1

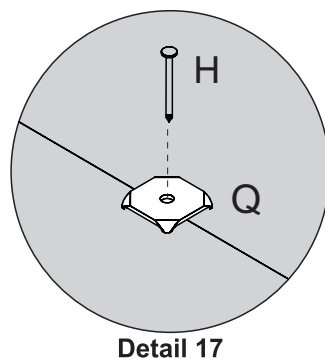
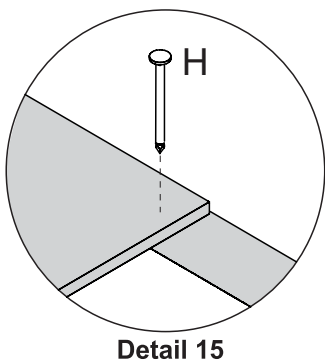
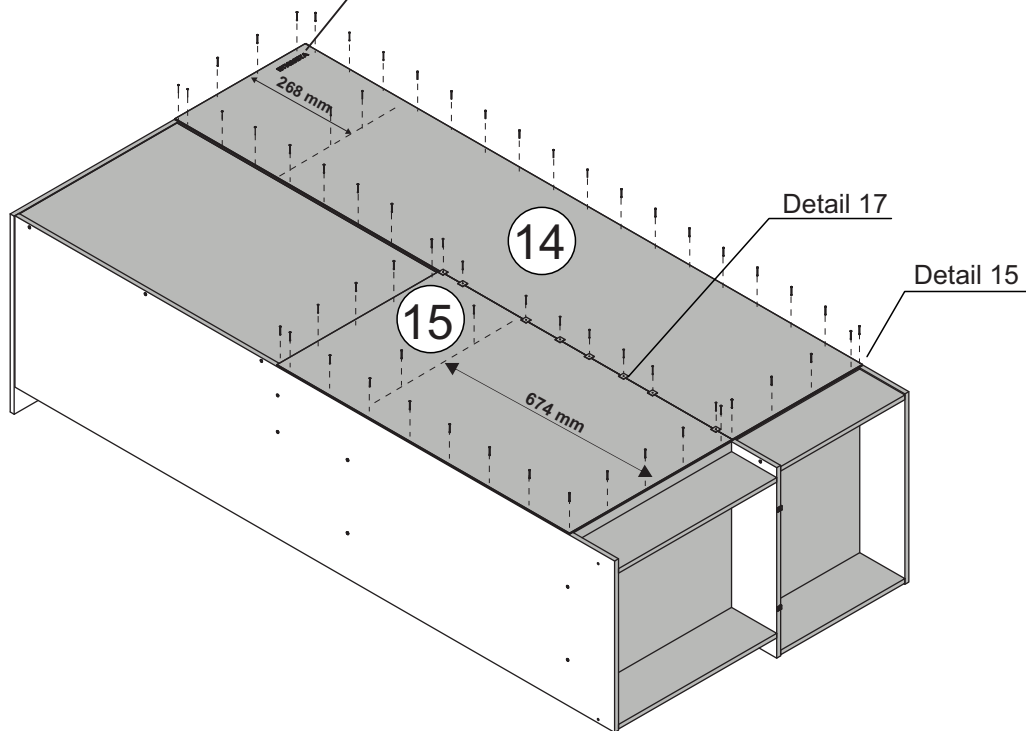
HARDWARE REQUIRED

- H  65
10 x 10
- Q  08

TOOLS REQUIRED

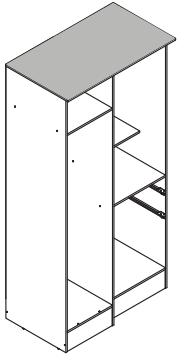


* For your future reference Order Number should be here.

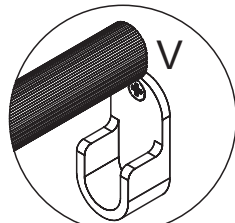


STEP 21

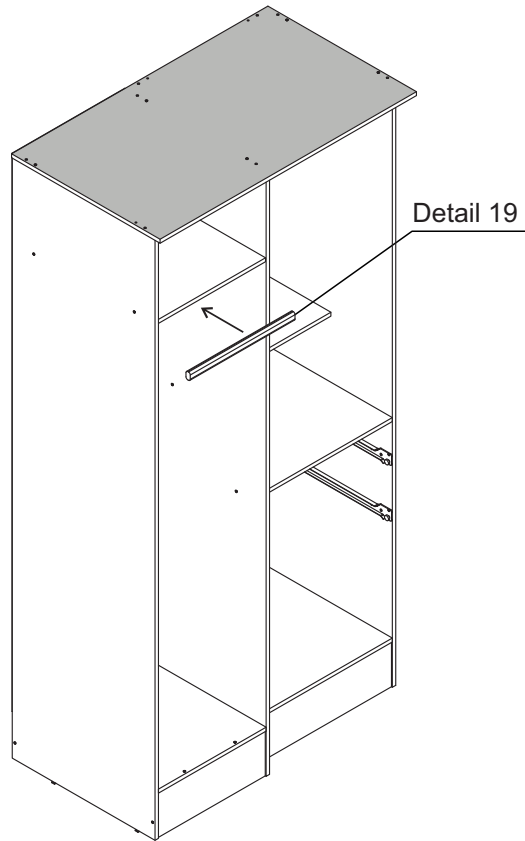
PARTS REQUIRED



HARDWARE REQUIRED



Detail 19



STEP 22

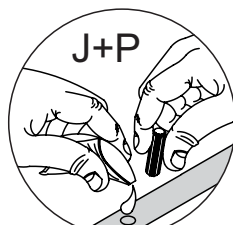
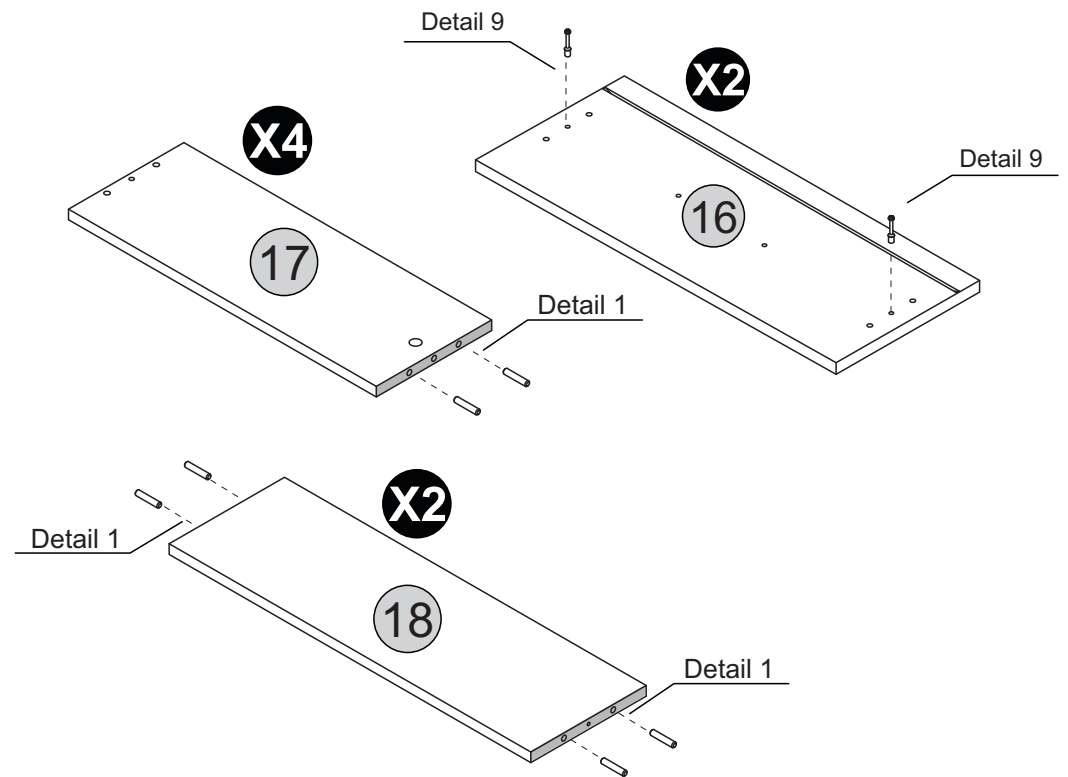
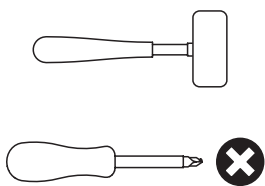
PARTS REQUIRED

| | |
|------------------------|----|
| 16 - DRAWER FRONT | x2 |
| 17 - DRAWER SIDE | x4 |
| 18 - DRAWER BACK PANEL | x2 |

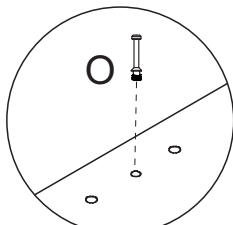
HARDWARE REQUIRED

| | | |
|---|--|----|
| J | | 01 |
| O | | 04 |
| P | | 16 |

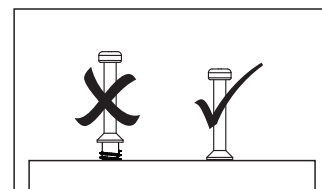
TOOLS REQUIRED



Detail 1



Detail 9




STEP 23


PARTS REQUIRED

17 - DRAWER SIDE x4

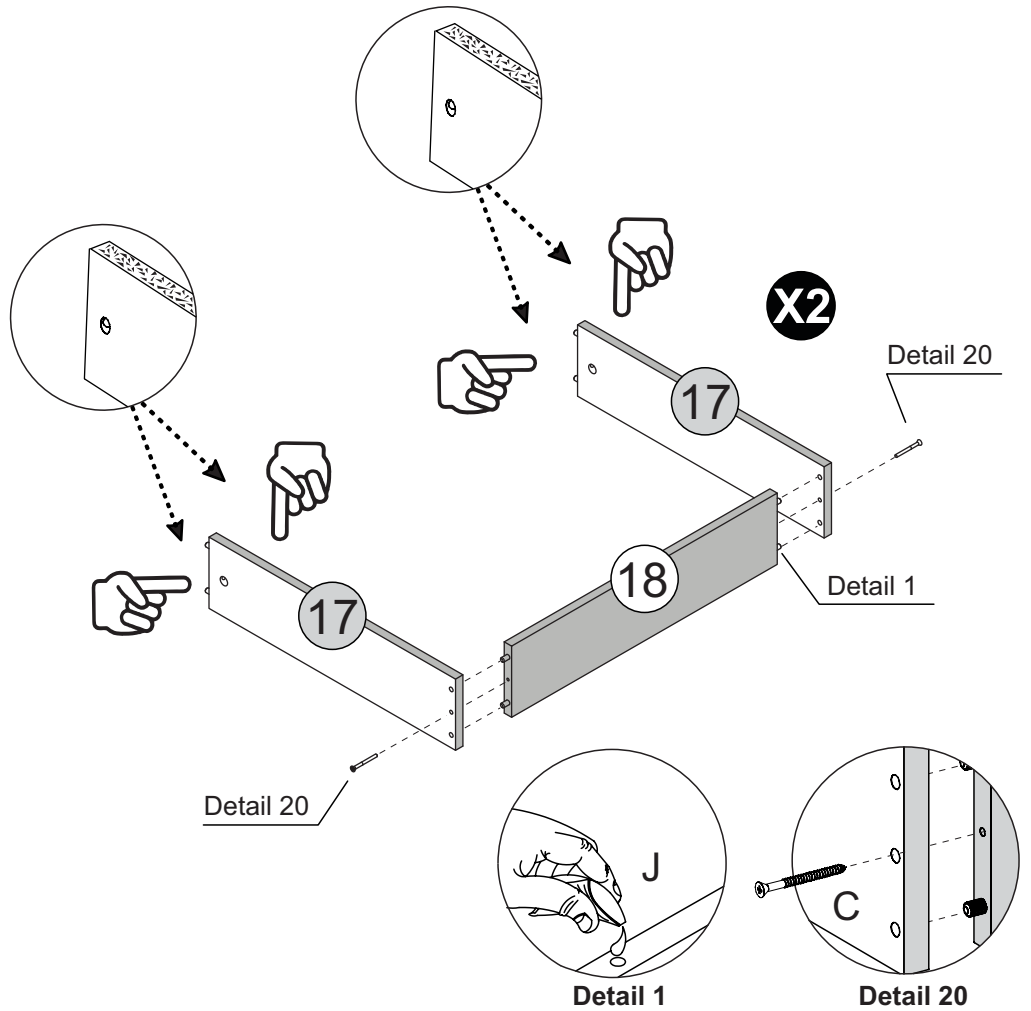
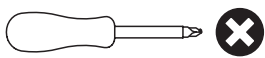
18 - DRAWER BACK PANEL x2

HARDWARE REQUIRED

C  04
Ø3,5 x 40mm

J  01

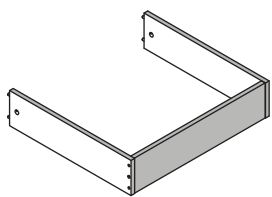
TOOLS REQUIRED



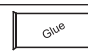
STEP 24

PARTS REQUIRED

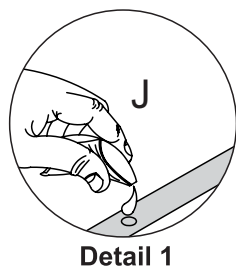
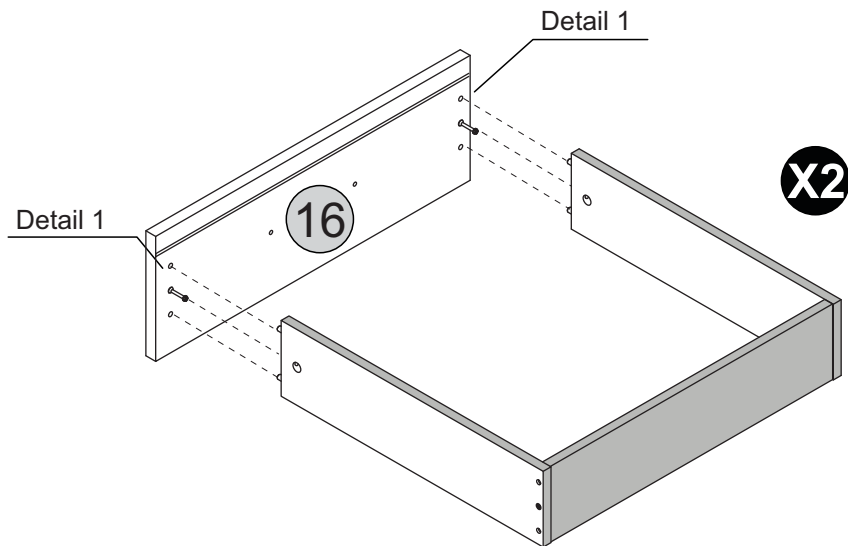
16 - DRAWER FRONT x2



HARDWARE REQUIRED

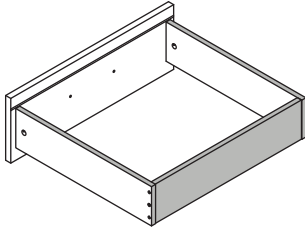
J  01

TOOLS REQUIRED



STEP 25

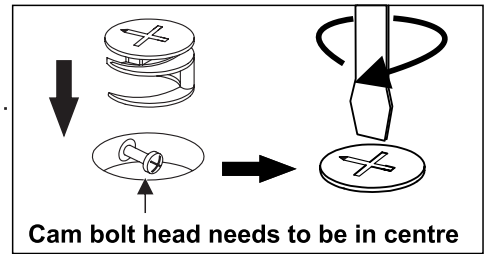
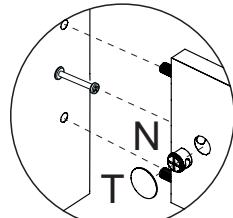
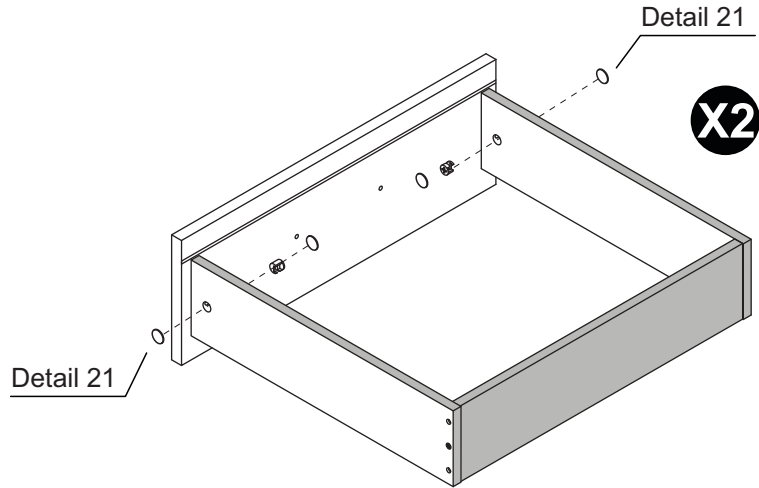
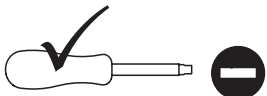
PARTS REQUIRED



HARDWARE REQUIRED



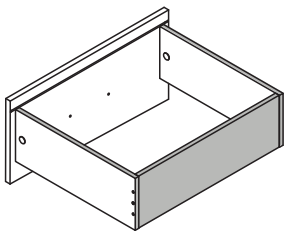
TOOLS REQUIRED



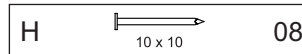
STEP 26

PARTS REQUIRED

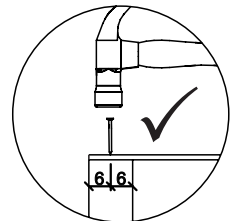
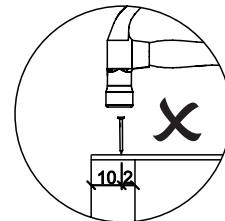
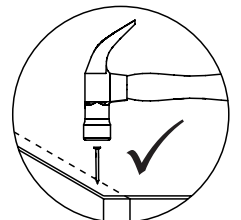
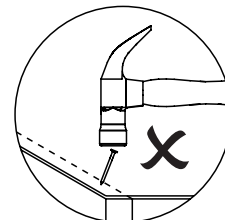
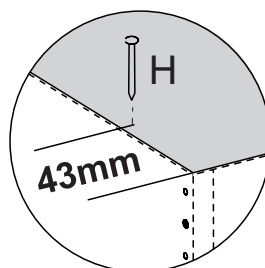
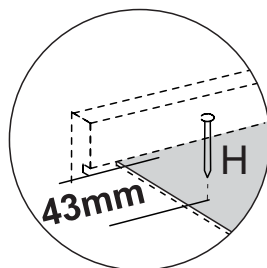
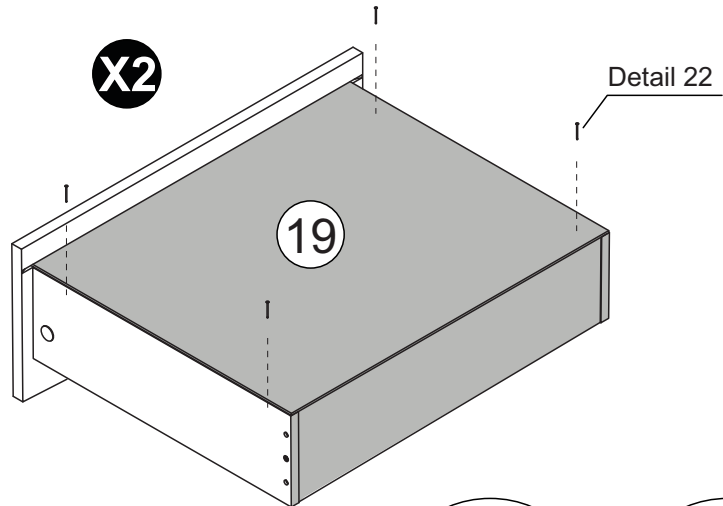
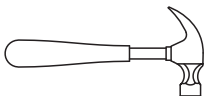
19 - DRAWER BOTTOM x2



HARDWARE REQUIRED



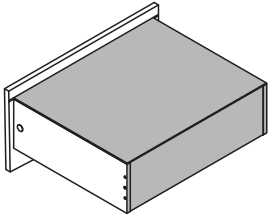
TOOLS REQUIRED



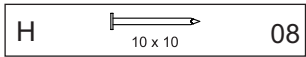
Detail 22

STEP 27

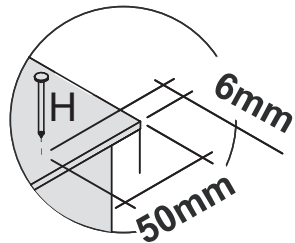
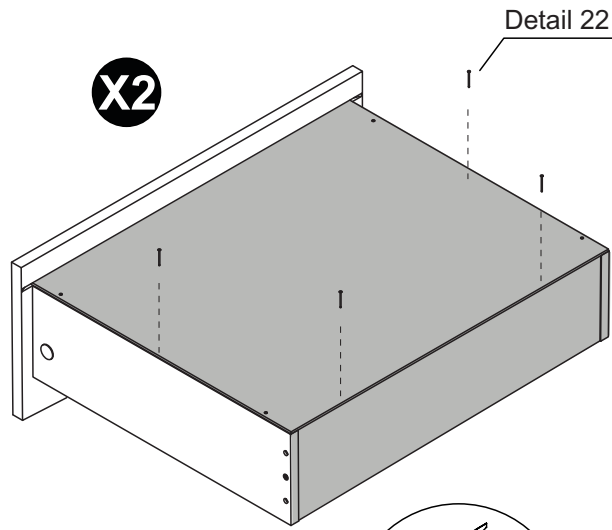
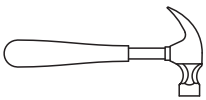
PARTS REQUIRED



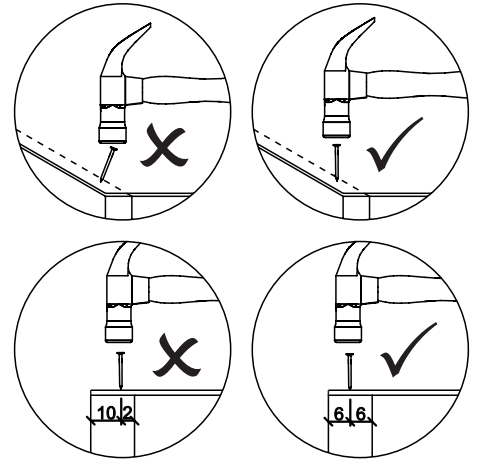
HARDWARE REQUIRED



TOOLS REQUIRED

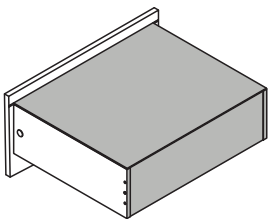


Detail 22

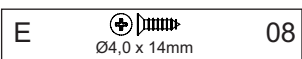


STEP 28

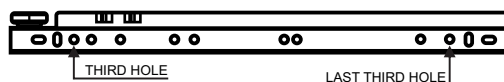
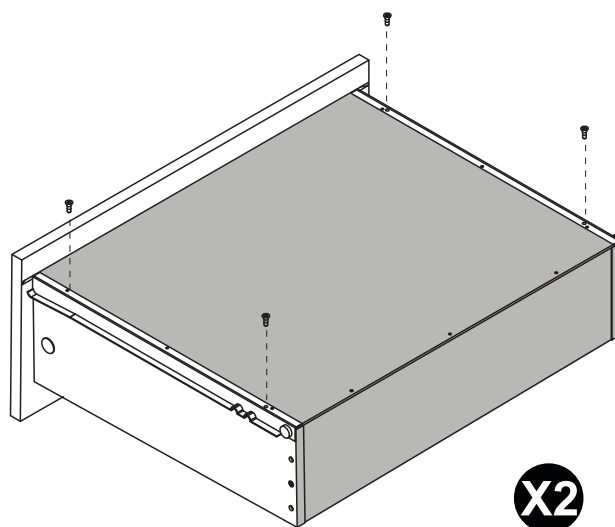
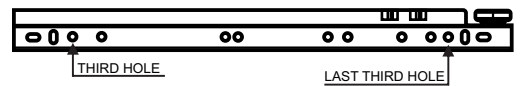
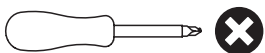
PARTS REQUIRED



HARDWARE REQUIRED



TOOLS REQUIRED

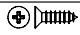


STEP 29

PARTS REQUIRED

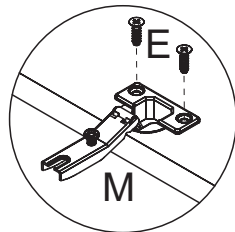
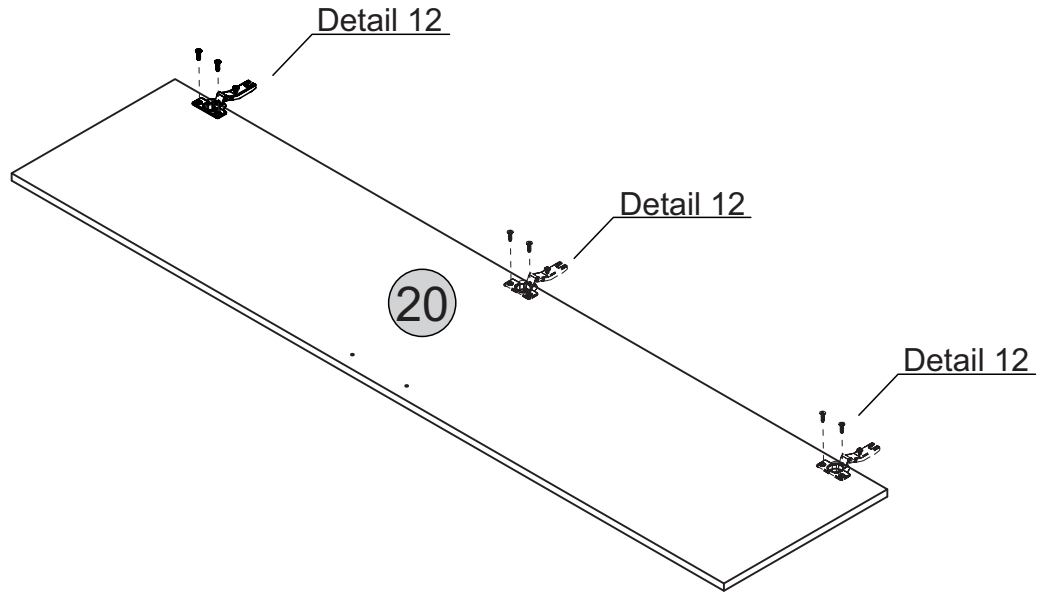
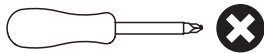
20 - DOOR x1

HARDWARE REQUIRED

E  06
Ø4,0 x 14mm

M  03

TOOLS REQUIRED

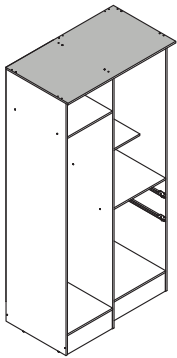


Detail 12

STEP 30

PARTS REQUIRED

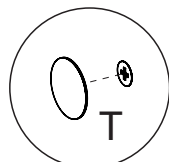
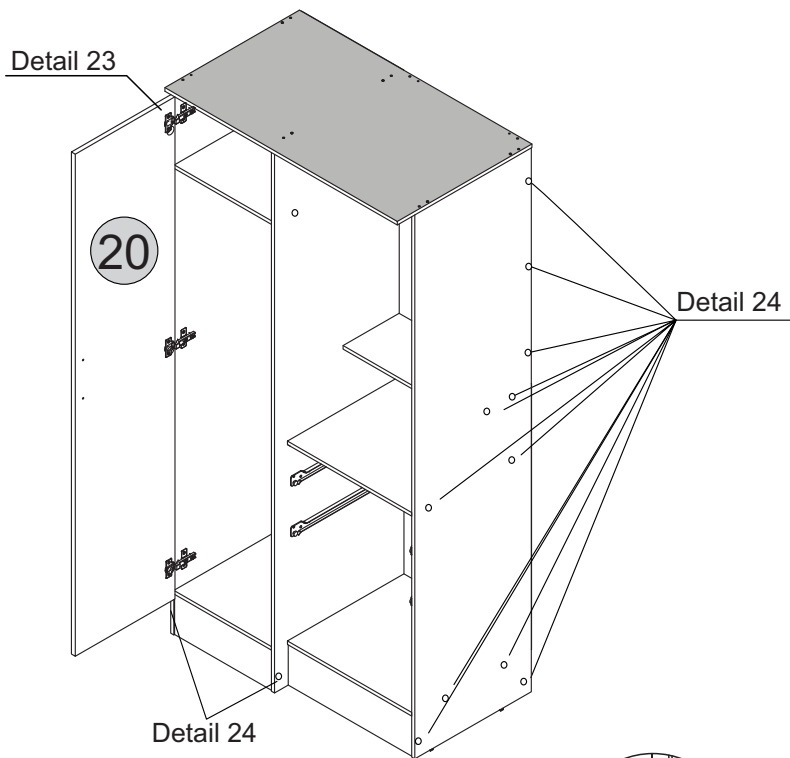
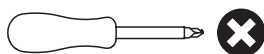
20 - DOOR x1



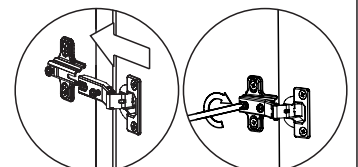
HARDWARE REQUIRED

T  27

TOOLS REQUIRED



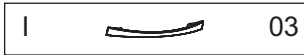
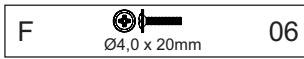
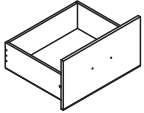
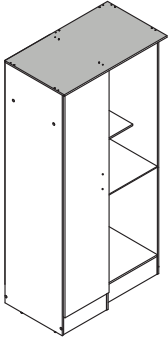
Detail 24



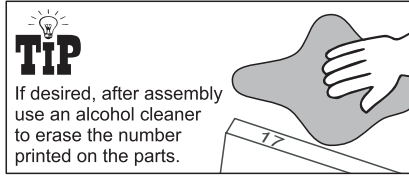
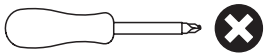
Detail 23

STEP 31

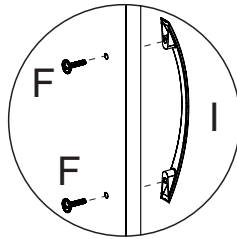
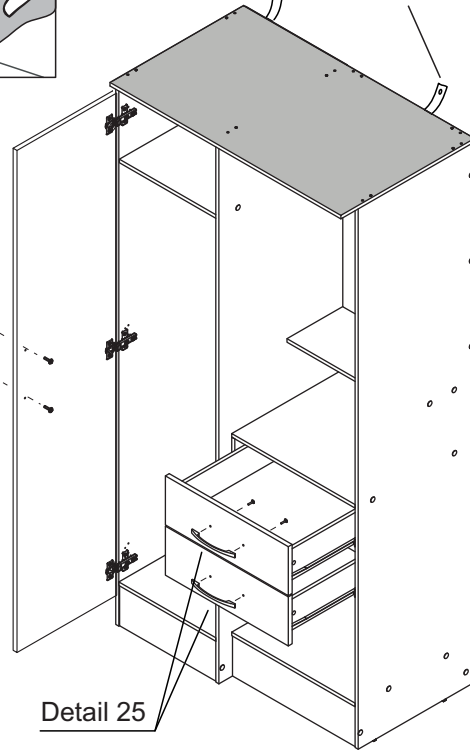
PARTS REQUIRED



TOOLS REQUIRED



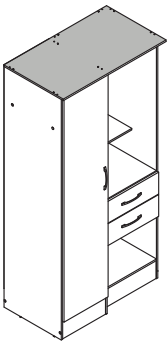
Detail 25



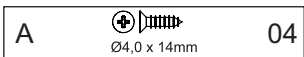
Detail 25

STEP 32

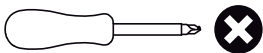
PARTS REQUIRED



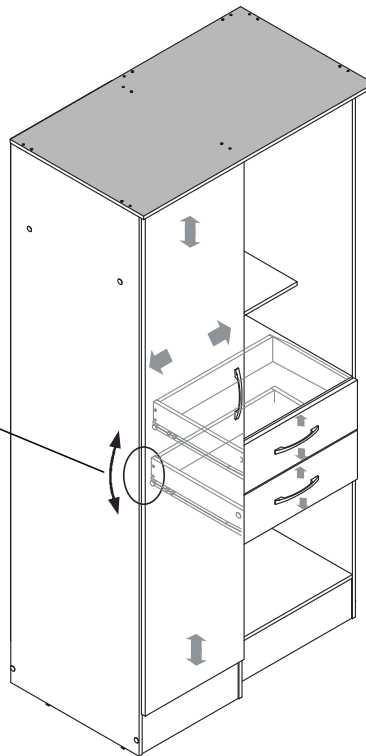
HARDWARE REQUIRED



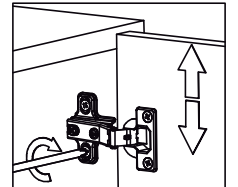
TOOLS REQUIRED



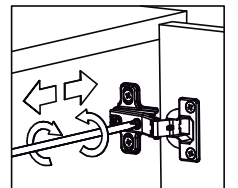
Detail 23



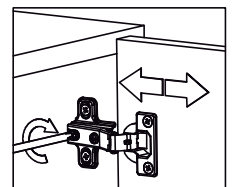
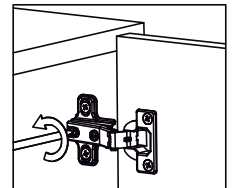
Height Adjustment



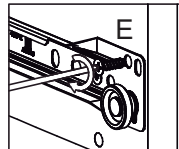
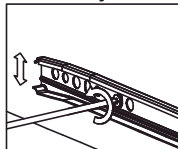
Internal Adjustment



Depth Adjustment



Drawer Adjustment Drawer Lock



Detail 23

WARNING

Serious or fatal injuries can occur from furniture tipping over. To prevent the furniture from tipping over we recommend that it is permanently fixed to the wall.

Wall fixings are not supplied with this product as different wall materials require different types of fixing devices.

Please make sure you use fixings suitable for the walls in your home.

