

# TANDI TRIPLE SLEEPER BUNK ASSEMBLY INSTRUCTION

IMPORTANT-READ CAREFULLY-RETAIN FOR FUTURE REFERENCE

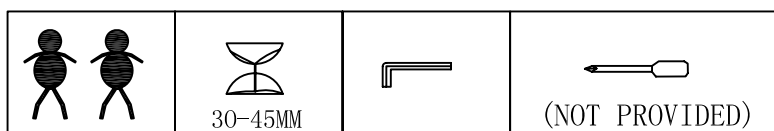


FOR DOMESTIC USE ONLY

## IMPORTANT NOTICE

### SAFETY WARNING





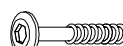


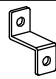



- All bunk beds and high beds intended to be assembled by someone other than the manufacturer or their representative shall contain assembly instructions a list of the parts supplied and details of any tools required to assemble the bed;
- We recommend that you use the mattress at size:1900\*900\*160mm.
- All assembly fastenings should always be tightened properly and that care should be taken that no fittings are loose.
- Instructions regarding positioning and connection of the means of access.
- The ladder is not for playing on, only use to climb onto top bunk.
- We recommend only one person on the upper bunk at one time.
- Warning:**-The bunk bed or high bed should not be used if any structural part is broken or missing.
- The top of the mattress shall be at least 160MM below the upper edge of the safety barriers.
- Warning:** Children can become trapped between the bed and the wall to avoid risk of serious injury the distance between the top safety barrier and the wall shall not exceed 75mm or shall be more than 230mm.
- Warning:** Bunk beds and high beds can present a serious risk of injury from strangulation if not used correctly. Never attach or hang items to any part of the bunk bed that are not designed to be used with the bed, for example, but not limited to ropes, strings, cords, hooks, belts and bags.
- The ventilation of the room is necessary in order to keep the humidity low and to prevent mold in and around the bed.
- The manufacturer's instruction must be always followed.
- EN 747-1&2:2012+A1:2015 TEST version.



TWO PEOPLE ARE NEEDED TO ASSEMBLE THIS BUNK.

# TANDI TRIPLE SLEEPER BUNK

PLEASE CHECK THAT YOU HAVE ALL THE PARTS LISTED BEFORE YOU START ASSEMBLY. IF YOU DO FIND THAT SOMETHING IS MISSING. PLEASE CONTACT YOUR SUPPLIER IMMEDIATELY

PART NUMBER		PART DESCRIPTION	QUANTITY
A		M6 x 15mm	8
B		M6 x 20mm	8
C		M6 x 40mm	10
D		M6 x 45mm	4
E		M6 x 70mm	27
F		1.5 x 18(Ø6.5)	39
G		M6x50mm	4
H		20x20x50mm	2
I		M6	4
J		M4	1
K		S10	1

## CARE & MAINTENANCE

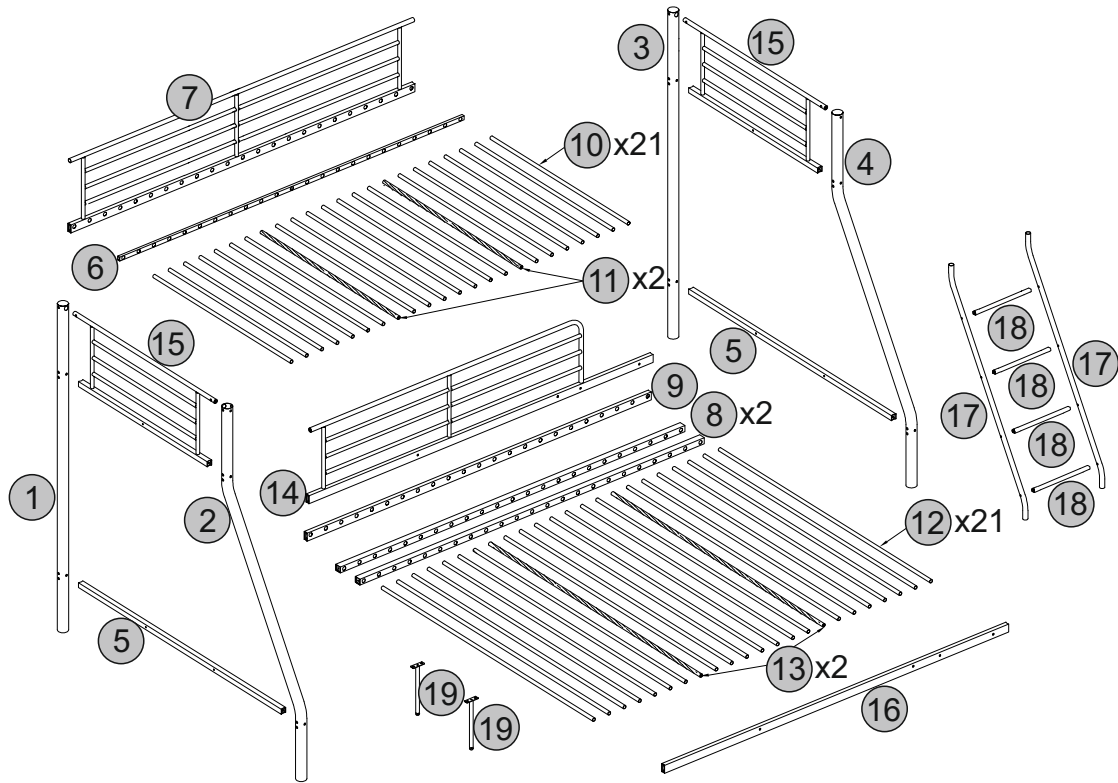
- 1)No power tools shall be used for assembly of the bed . Use only allen keys provided for assembly.
- 2)Periodically check and ensure all bolts are fully tightened.

## Method of Cleaning

- 1)Use damp cloth for normal cleaning.
- 2)For bright parts,use a clean dry duster only.

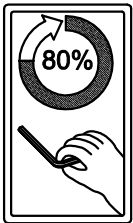
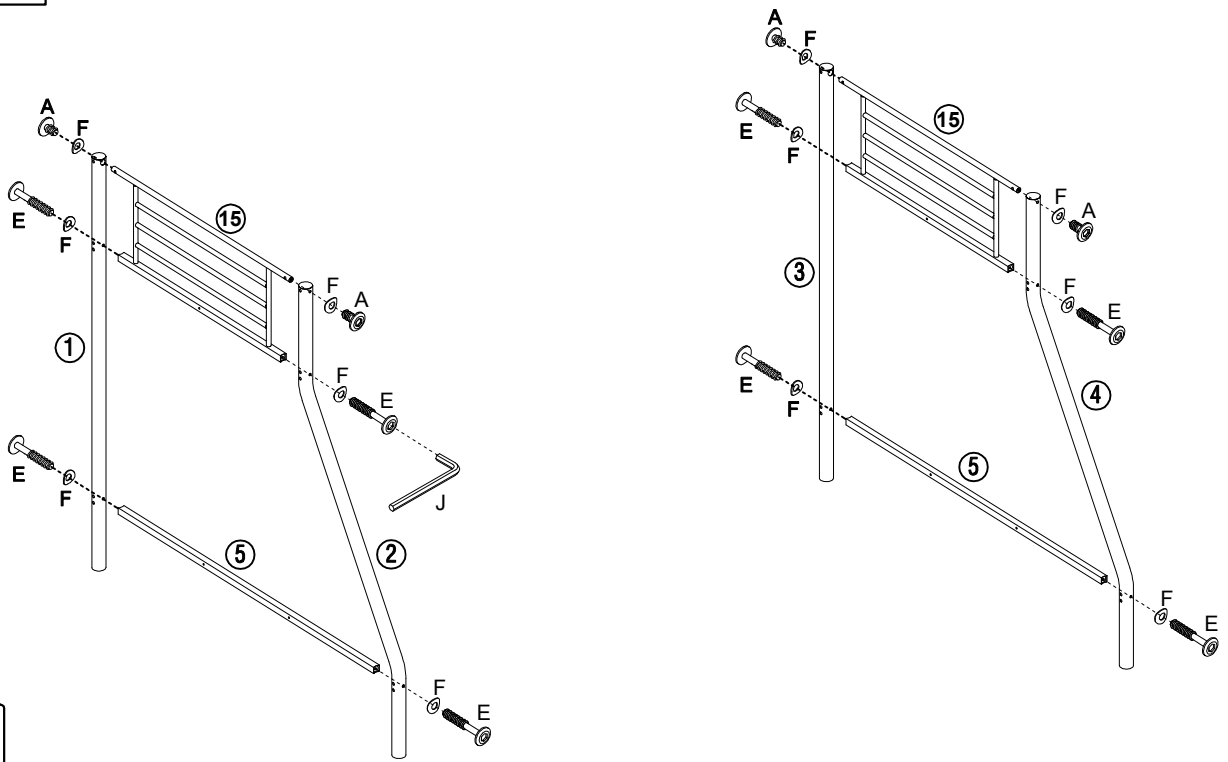
USE OF POWER TOOLS TO ASSEMBLE THIS PRODUCT WILL INVALIDATE ANY CLAIM AND MAY DAMAGE THIS PRODUCT, MAKING IT UNSAFE.


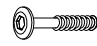






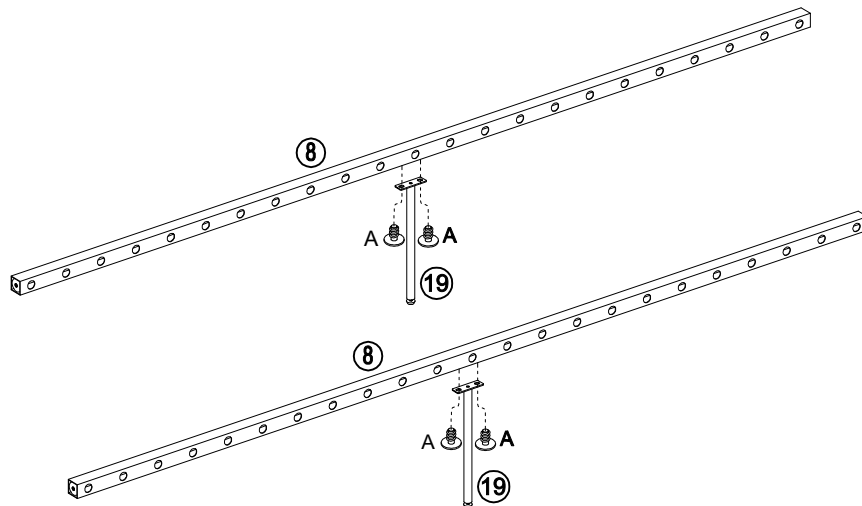
PART NUMBER	PART DESCRIPTION	QUANTITY
1	BACK LEFT POST	1
2	FRONT LEFT POST	1
3	BACK RIGHT POST	1
4	FRONT RIGHT POST	1
5	HEADBOARD CROSSBAR	2
6	TOP BASE CENTRE RAIL	1
7	TOP BACK SIDE/SAFETY RAIL	1
8	BOTTOM BASE CENTRE RAILS	2
9	BOTTOM BACK SIDERAIL	1
10	TOP BUNK SLATS	21
11	TOP BUNK FIXED SLATS	2
12	BOTTOM BUNK SLATS	21
13	BOTTOM BUNK FIXED SLATS	2
14	FRONT SAFETY RAIL	1
15	HEADBOARD FRAME	2
16	BOTTOM FRONT SIDERAIL	1
17	LADDER SIDE	2
18	LADDER STEPS	4
19	CENTRE SUPPORT LEGS	2



# 1



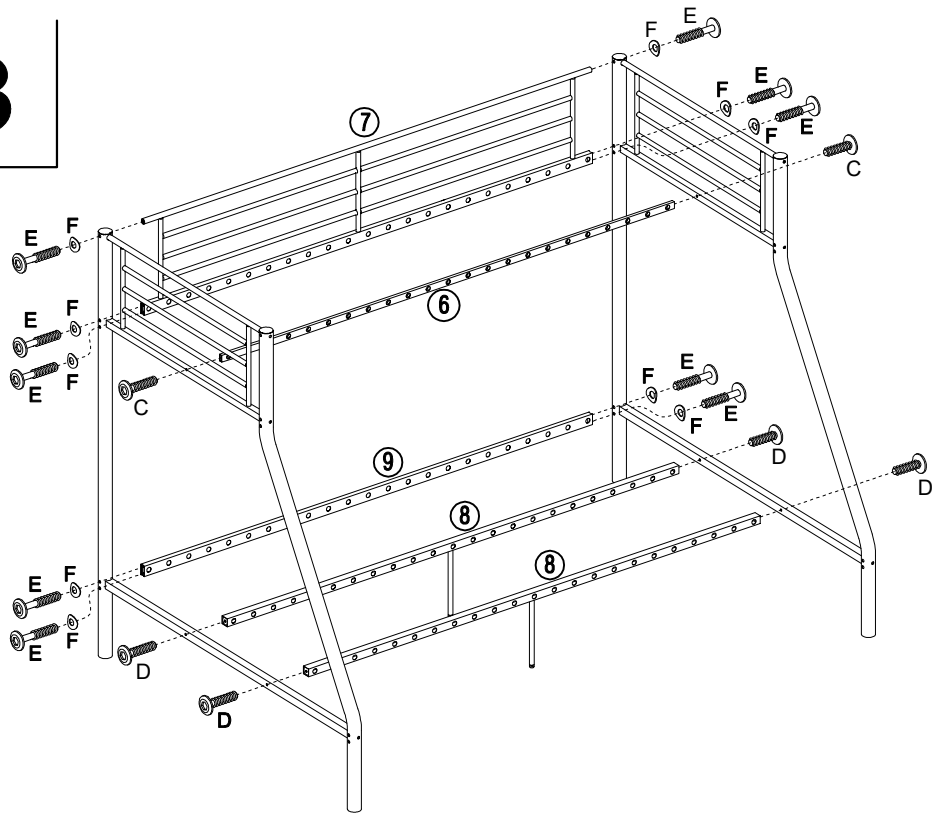
A	x4	E	x8	F	x12	J	x1
							
M6 x 15mm		M6 x 70mm		1.5 x 18 (Ø6.5)		4mm	

# 2



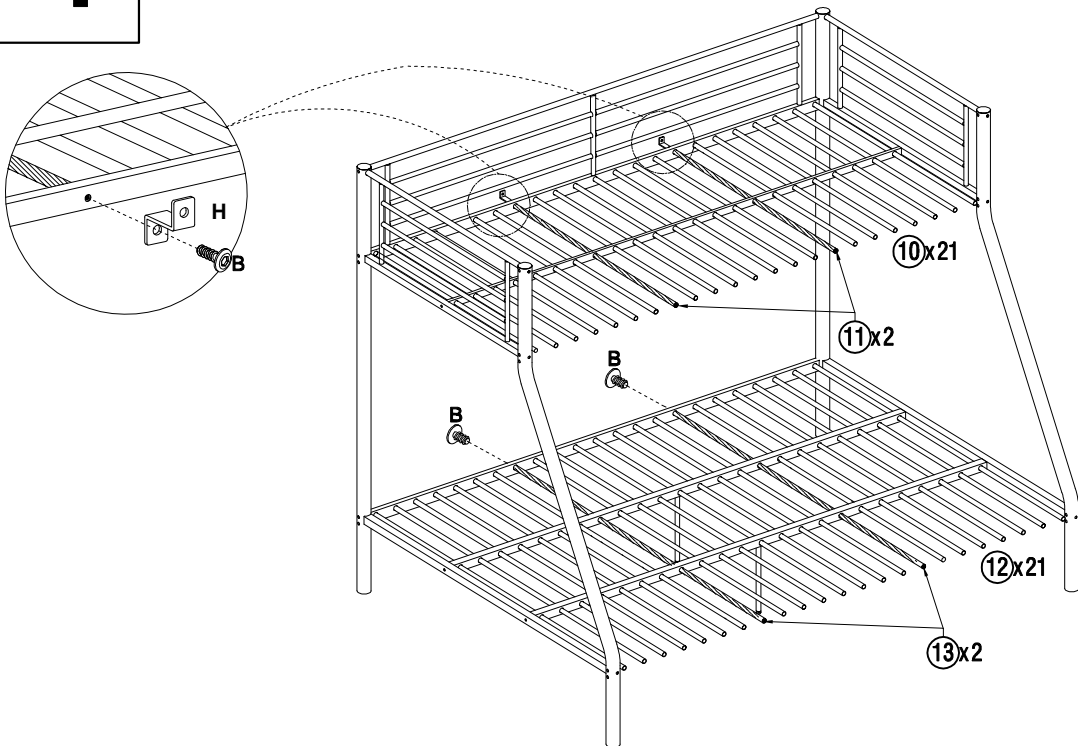
A	x4	J	x1
			
M6 x 15mm		4mm	

# 3



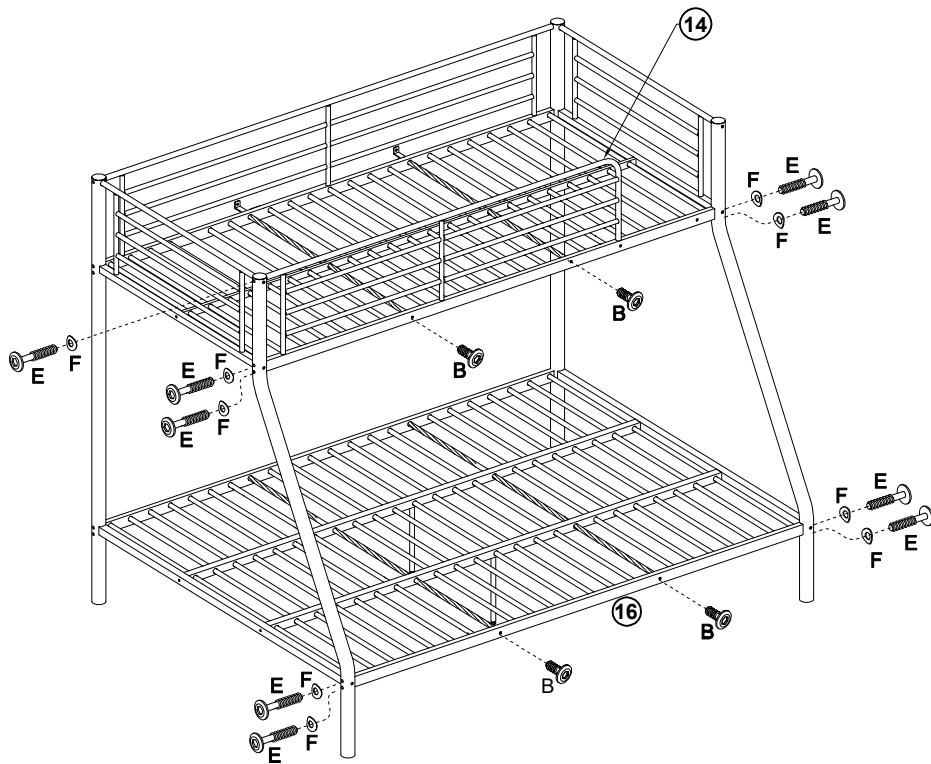
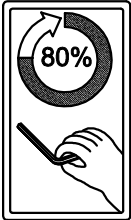
C	x2	D	x4	E	x10	F	x10	J	x1
M6 x 40mm		M6 x 45mm		M6 x 70mm		1.5 x 18 (Ø6.5)		4mm	

# 4



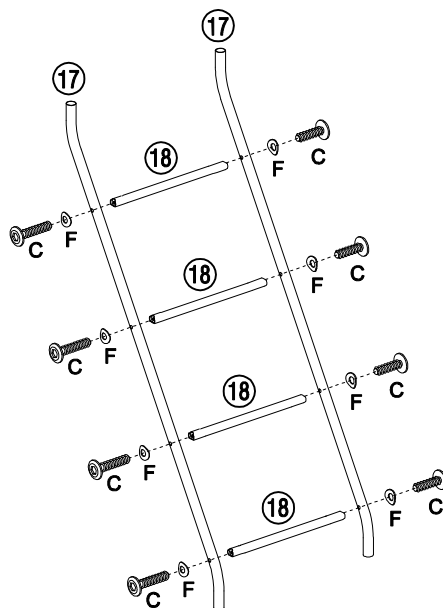
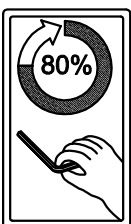
B	x4	H	x2	J	x1
M6 x 20mm		20x20x50mm		4mm	

# 5



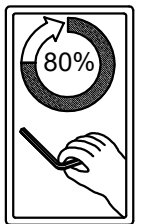
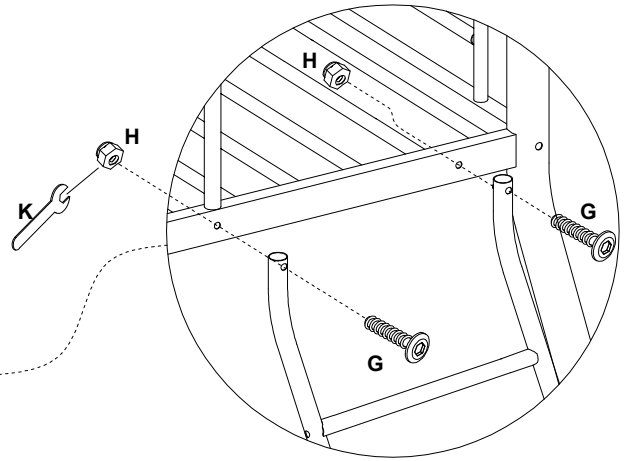
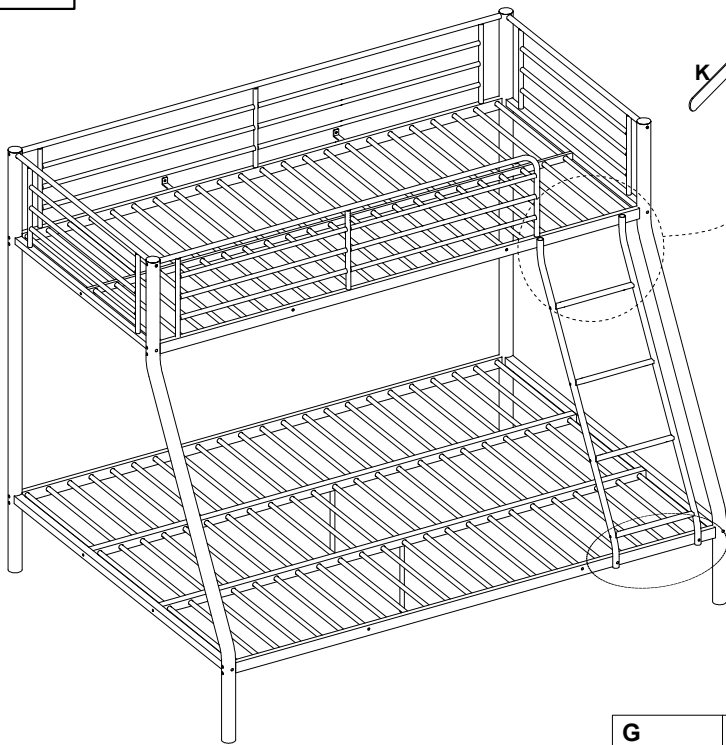
B	x4	E	x9	F	x9	J	x1
M6 x 20mm		M6 x 70mm		1.5 x 18 (Ø6.5)		4mm	





# 6



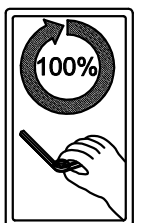
C	x8	F	x8	J	x1
M6 x 40mm		1.5 x 18 (Ø6.5)		4mm	

7



<b>G</b>	x4	<b>H</b>	x4	<b>J</b>	x1	<b>K</b>	x1
							
<b>M6*50mm</b>		<b>M6</b>		<b>4mm</b>		<b>S10</b>	

8



**9****WARNING**

**Serious or fatal injuries can occur from furniture tipping over. To prevent the furniture from tipping over we recommend that it is permanently fixed to the wall.**

Wall fixings are not supplied with this product as different wall materials require different types of fixing devices.

Please make sure you use fixings suitable for the walls in your home.

