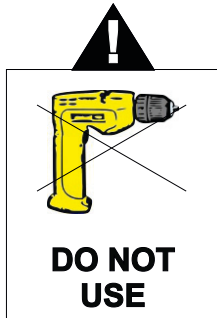
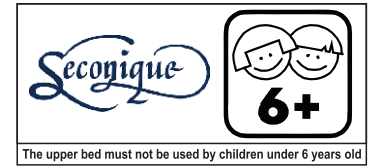
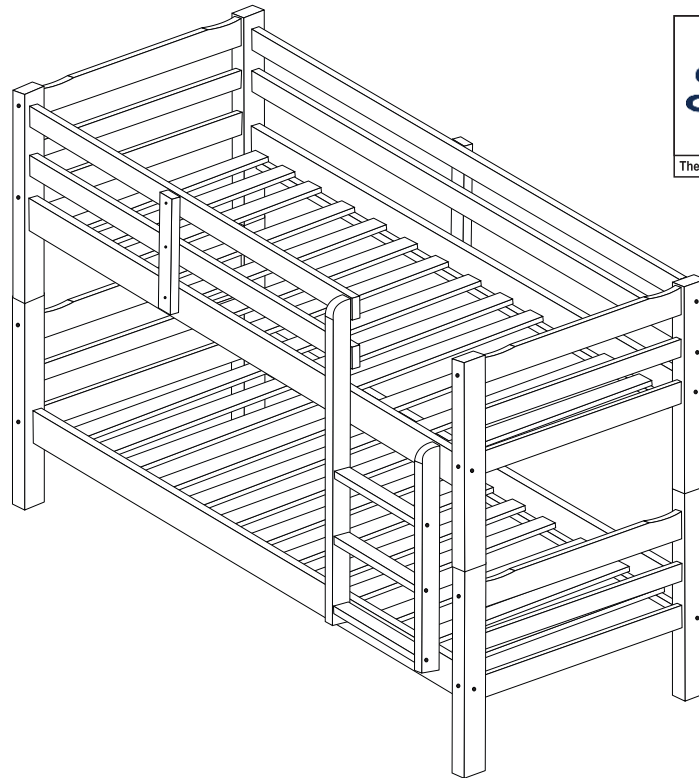


WHITE PANAMA 3' BUNK BED ASSEMBLY INSTRUCTIONS



FOR DOMESTIC USE ONLY

PLEASE READ AND FOLLOW THESE INSTRUCTIONS CAREFULLY

RETAIN FOR FUTURE REFERENCE

CARE AND MAINTENANCE

WARNING “High beds and the upper bed of bunk beds are not suitable for children under the age of six years due to the risk of injury from falls”;

WARNING “Bunk beds and high beds can present a serious risk of injury from strangulation if not used correctly. Never attach or hang items to any part of the bunk bed that are not designed to be used with the bed, for example, but not limited to ropes, strings, cords, hooks, belts and bags”;

WARNING “Children can become trapped between the bed and the wall, a roof pitch, the ceiling, adjoining pieces of furniture (e.g. cupboards) and the like. To avoid risk of serious injury the distance between the top safety barrier and the adjoining structure shall not exceed 75mm or shall be more than 230mm”;

WARNING Do not use the bunk bed/high bed if any structural part is broken or missing;

The recommended mattress size for this bunk bed is 1900mm x 915mm x 150mm

The maximum mattress height is 160mm.

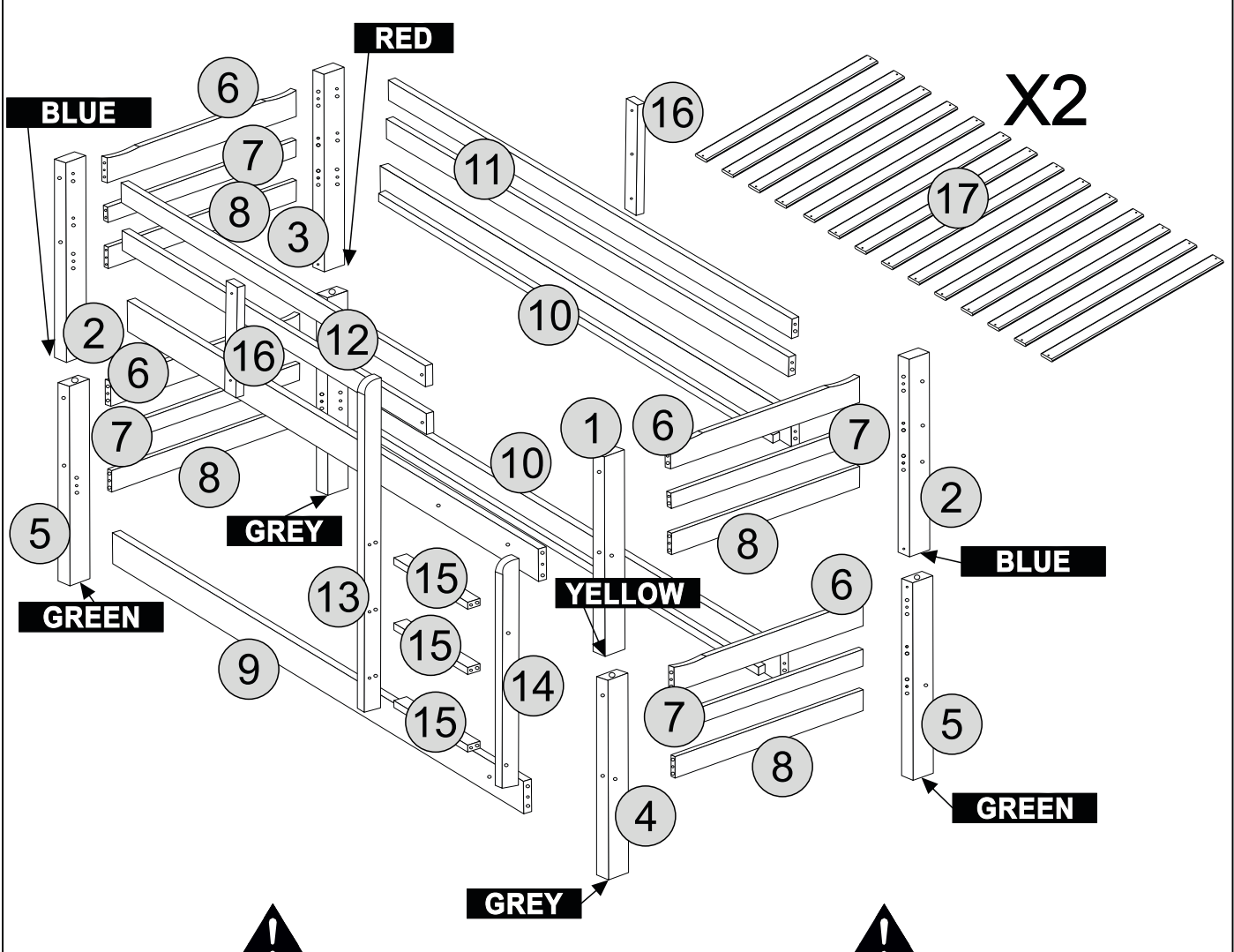
The maximum mattress height is clearly marked on the bunk bed and **MUST NOT BE EXCEEDED.**

Depending on the amount of use this product receives it may be necessary to tighten up the fixings from time to time, this is completely normal for all flat pack furniture. **DO NOT OVER TIGHTEN FIXINGS.** Do not for any reason use a power tool to assemble this product.

Two persons are required to assemble this bunk bed.
Assemble as close to its final position as possible.
Assemble on a soft clean surface.

For cleaning you may use a damp cloth (not wet).
The room in which the bed is positioned should be ventilated to prevent mould in and around the bed.

This bunk bed is manufactured to conform to BS EN 747:2012+A1:2015




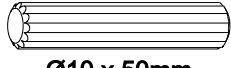
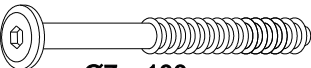

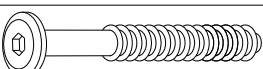


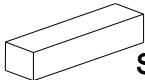
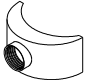
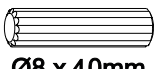

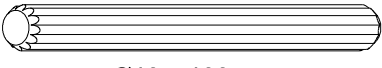
* Use of power tools to assemble this product will invalidate any claim and damage this product making it unsafe !!!
 * Please assemble on a clean soft surface to avoid damage.

* Please check contents and read the instructions before commencing assembly.
 * Assemble this product following the enclosed instructions carefully.
 * Please take care to avoid damaging panels during assembly.

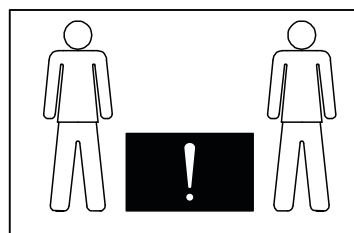
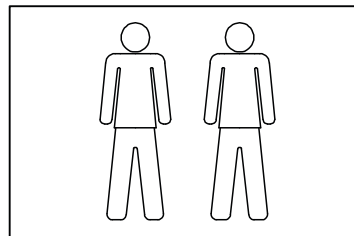
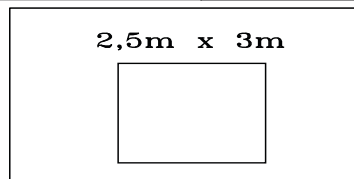
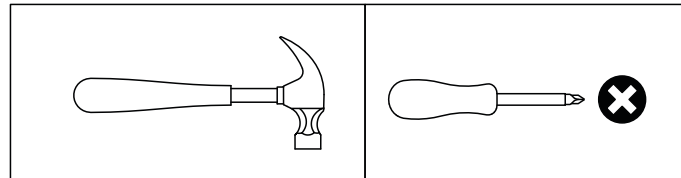
PARTS LIST

Part Number	Part Code	Part Description	Quantity	Carton
1	S200-205-018-LT1-01	Ladder Side Top Headboard Post(Yellow)	1	1/3
2	S200-205-018-LT1-02	Left Top Headboard Post(Blue)	2	1/3
3	S200-205-018-LT1-03	Right Top Headboard Post(Red)	1	1/3
4	S200-205-018-LT1-04	Right Bottom Headboard Post(Grey)	2	1/3
5	S200-205-018-LT1-05	Left Bottom Headboard Post(Green)	2	1/3
6	S200-205-018-LT1-06	Top Headboard Crossbar	4	1/3
7	S200-205-018-LT1-07	Middle Headboard Crossbar	4	1/3
8	S200-205-018-LT1-08	Bottom Headboard Crossbar	4	1/3
9	S200-205-018-LT1-09	Front Side Rail	2	2/3
10	S200-205-018-LT1-10	Back Side Rail	2	2/3
11	S200-205-018-LT1-11	Long Safety Rail	2	2/3
12	S200-205-018-LT1-12	Short Safety Rail	2	2/3
13	S200-205-018-LT1-13	Left Ladder Upright	1	2/3
14	S200-205-018-LT1-14	Right Ladder Upright	1	2/3
15	S200-205-018-LT1-15	Ladder Steps	3	2/3
16	S200-205-018-LT1-16	Support Brace	2	2/3
17	S200-205-018-LT1-17	Slats	28	3/3

FITTINGS

A	 Ø1/4 x 90mm	08	G	 Ø10 x 50mm	28
B	 Ø7 x 100mm	16	H	 3,5 x 30mm	56
C	 Ø7 x 80mm	06	I		01
D	 Ø7 x 50mm	12	J	 SPACER	02
E		08	K	 Ø8 x 40mm	48
F	 Ø4,0 x 35mm	14	L	 Ø10 x 100mm	04

TOOLS REQUIRED



STEP 1

PARTS REQUIRED

6 - TOP HEADBOARD CROSSBAR x4

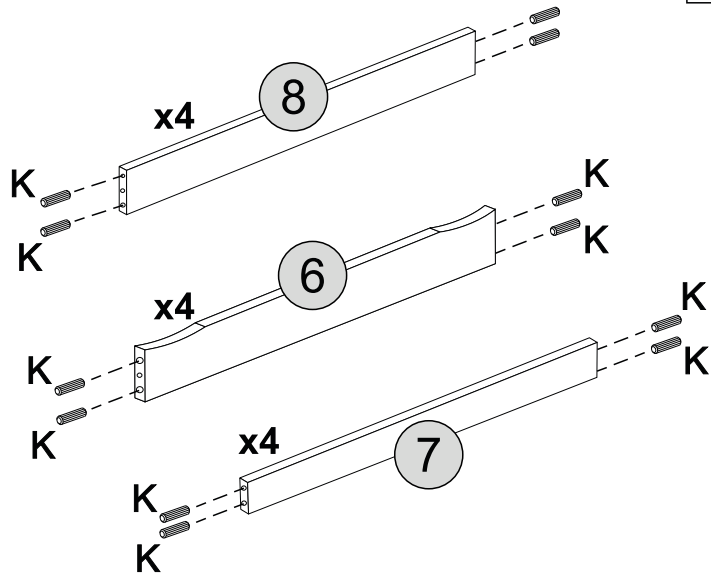
7 - MIDDLE HEADBOARD CROSSBAR x4

8 - BOTTOM HEADBOARD CROSSBAR x4

HARDWARE REQUIRED

K  48

TOOLS REQUIRED



!
Please assemble on a clean soft surface to avoid damage.

STEP 2

PARTS REQUIRED

4 - RIGHT BOTTOM HEADBOARD POST (GREY) x2

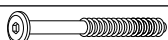
5 - LEFT BOTTOM HEADBOARD POST (GREEN) x2

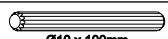
6 - TOP HEADBOARD CROSSBAR x2

7 - MIDDLE HEADBOARD CROSSBAR x2

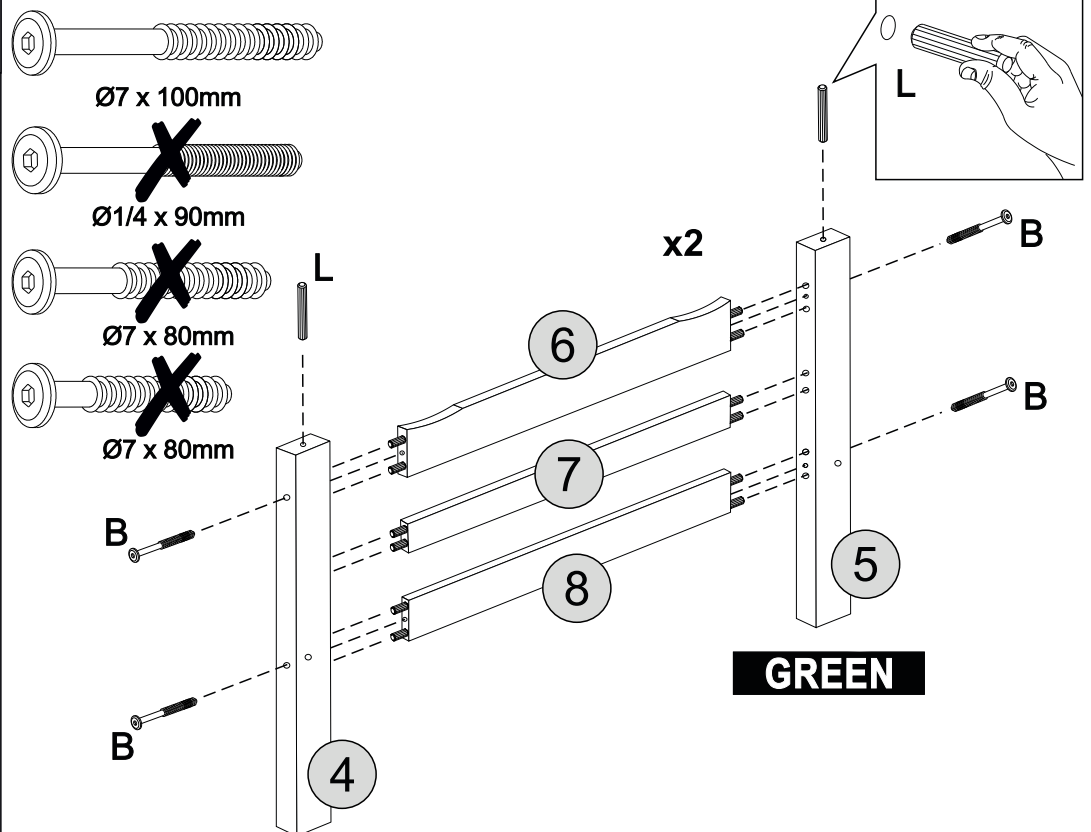
8 - BOTTOM HEADBOARD CROSSBAR x2

HARDWARE REQUIRED

B  08

L  04

TOOLS REQUIRED



!
Please assemble on a clean soft surface to avoid damage.

STEP 3

PARTS REQUIRED

2 - LEFT TOP HEADBOARD POST (BLUE) x1

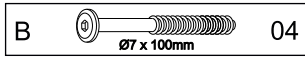
3 - RIGHT TOP HEADBOARD POST (RED) x1

6 - TOP HEADBOARD CROSSBAR x1

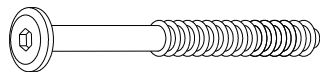
7 - MIDDLE HEADBOARD CROSSBAR x1

8 - BOTTOM HEADBOARD CROSSBAR x1

HARDWARE REQUIRED



TOOLS REQUIRED



Ø7 x 100mm



Ø1/4 x 90mm



Ø7 x 80mm



Ø7 x 80mm



3

RED

!
Please assemble on a clean soft surface to avoid damage.

6

6

7

8

2

BLUE

B

B

STEP 4

PARTS REQUIRED

1 - LADDER SIDE TOP HEADBOARD POST (YELLOW) x1

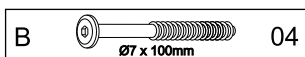
2 - LEFT TOP HEADBOARD POST (BLUE) x1

6 - TOP HEADBOARD CROSSBAR x1

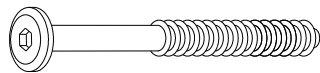
7 - MIDDLE HEADBOARD CROSSBAR x1

8 - BOTTOM HEADBOARD CROSSBAR x1

HARDWARE REQUIRED



TOOLS REQUIRED



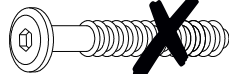
Ø7 x 100mm



Ø1/4 x 90mm



Ø7 x 80mm



Ø7 x 80mm



1

YELLOW

6

6

7

8

2

BLUE

B

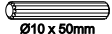
B

STEP 5

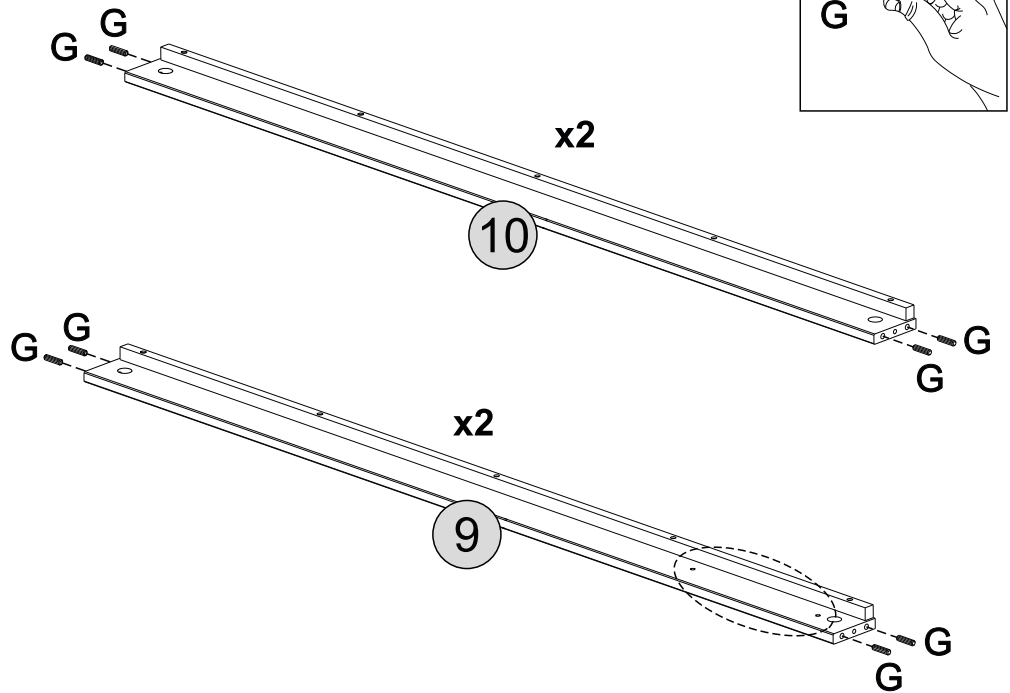
PARTS REQUIRED

9 - FRONT SIDERAIL	x2
10 - BACK SIDERAIL	x2

HARDWARE REQUIRED

G		16
---	---	----

TOOLS REQUIRED




 Please assemble on a clean soft surface to avoid damage.

STEP 6

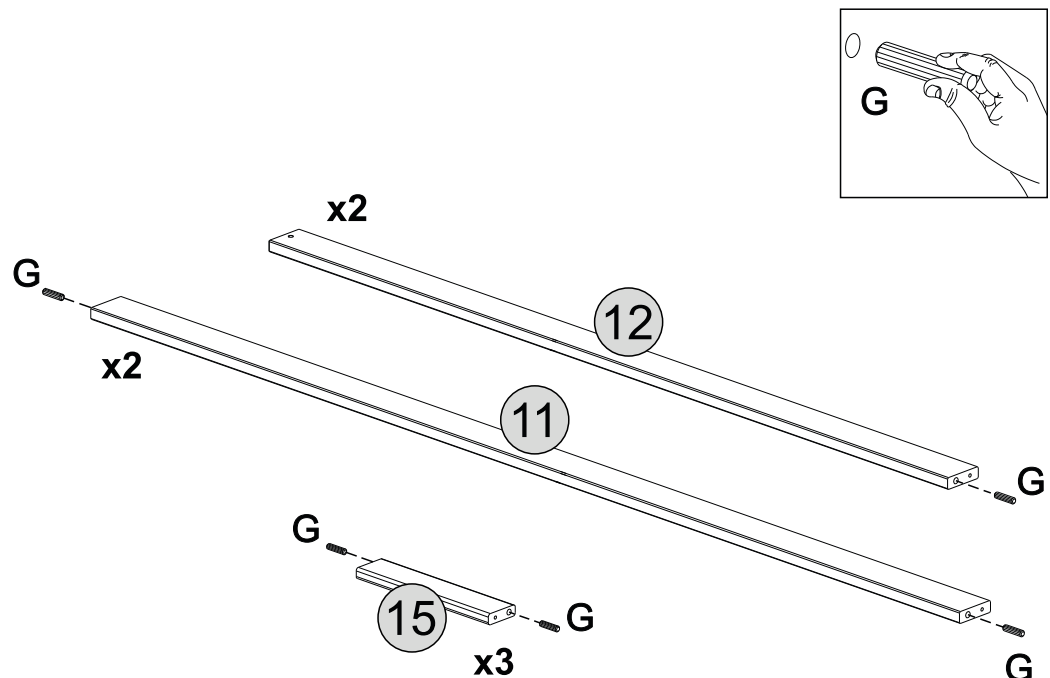
PARTS REQUIRED

11 - LONG SAFETY RAIL	x2
12 - SHORT SAFETY RAIL	x2
15 - LADDER STEPS	x3

HARDWARE REQUIRED

G		12
---	---	----

TOOLS REQUIRED

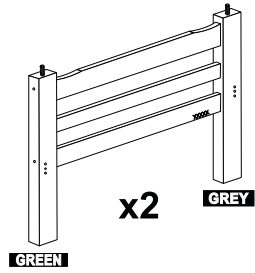


STEP 7

PARTS REQUIRED

9 - FRONT SIDERAIL x1

10 - BACK SIDERAIL x1

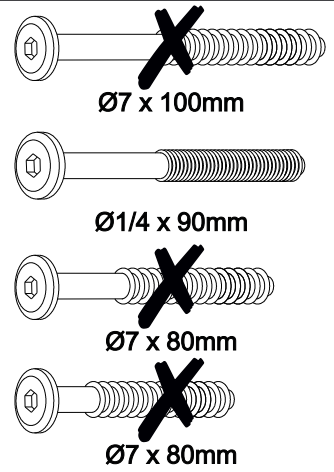
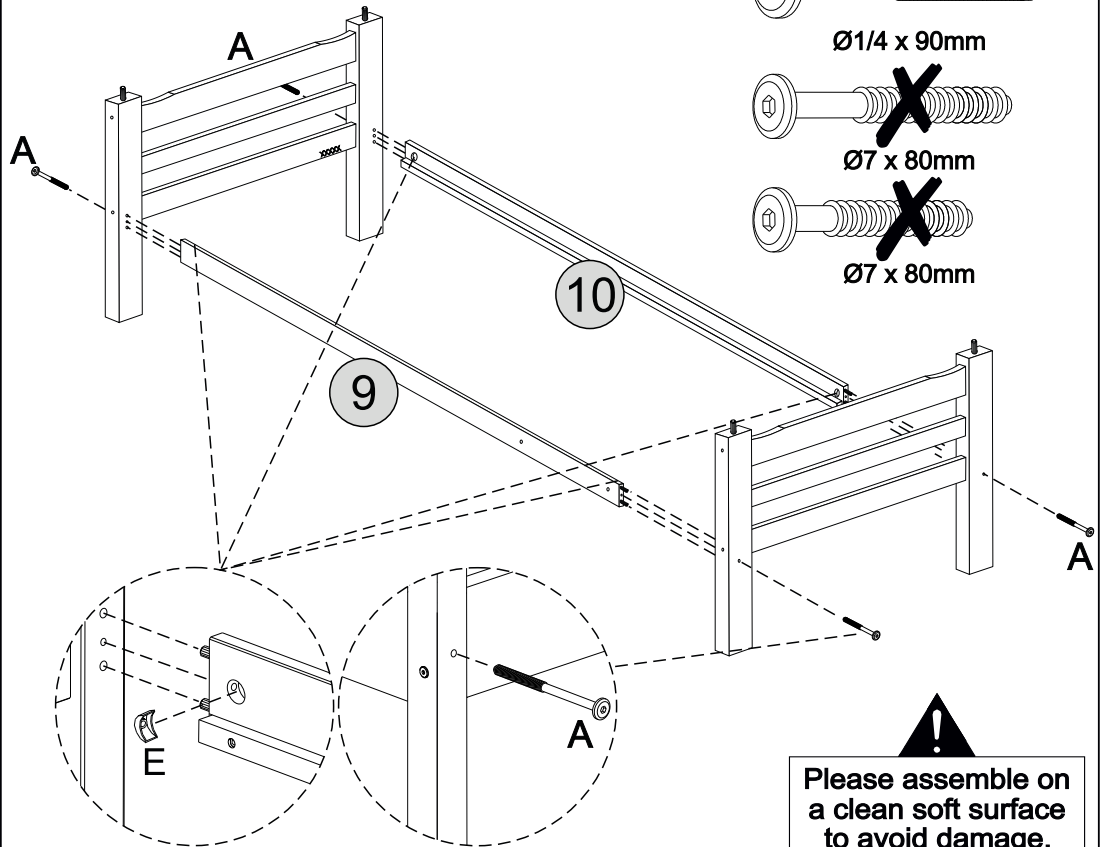
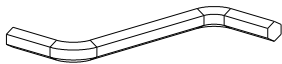


HARDWARE REQUIRED

A 04
Ø1/4 x 90mm

E 04

TOOLS REQUIRED



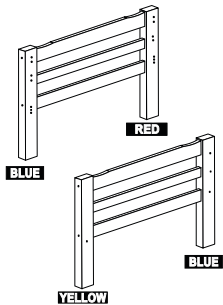
STEP 8

PARTS REQUIRED

9 - FRONT SIDERAIL x1

10 - BACK SIDERAIL x1

11 - LONG SAFETY RAIL x1



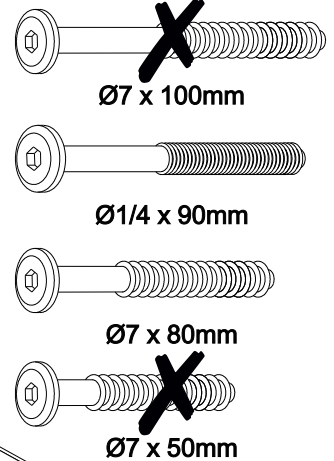
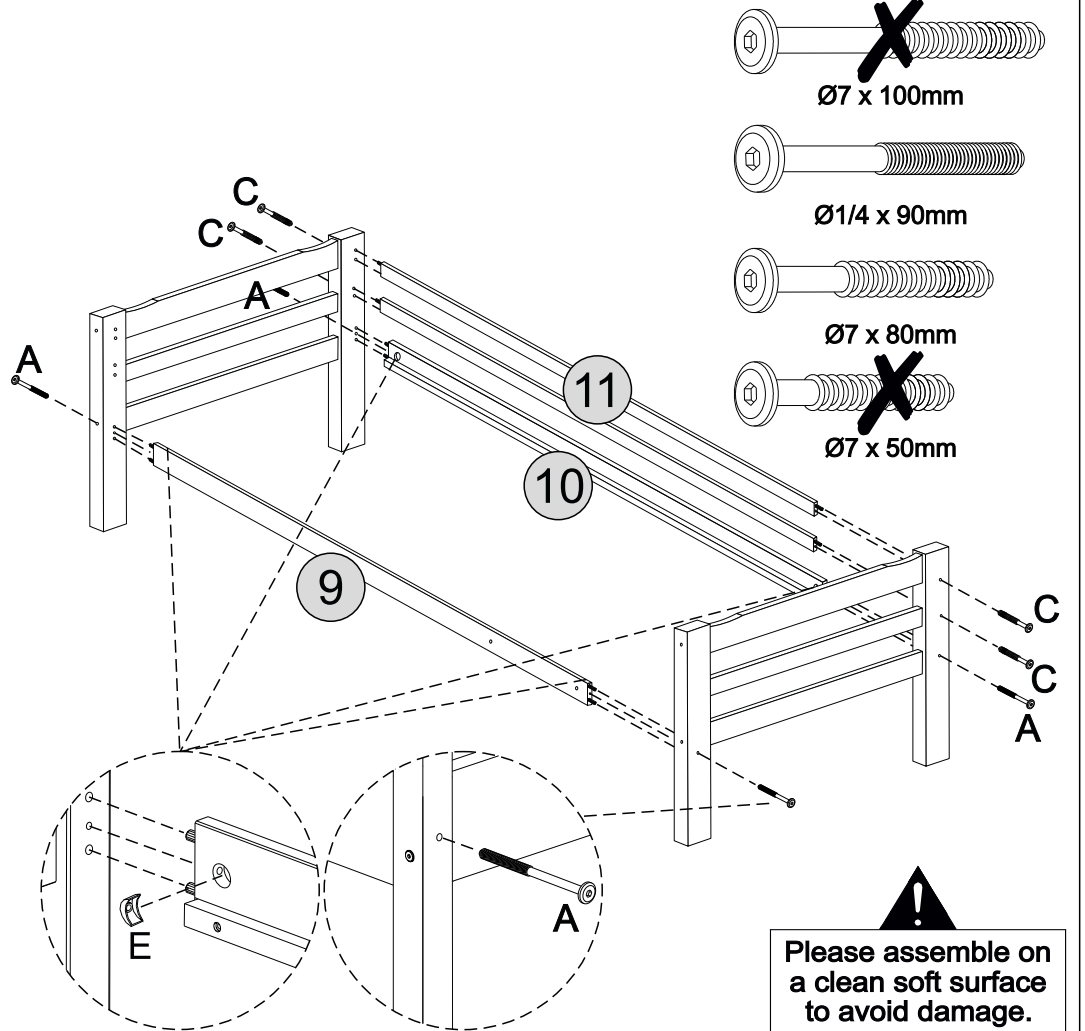
HARDWARE REQUIRED

A 04
Ø1/4 x 90mm

C 04
Ø7 x 80mm

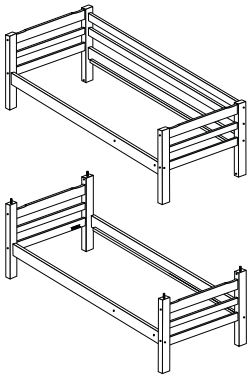
E 04

TOOLS REQUIRED

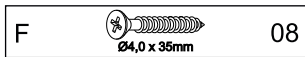


STEP 9

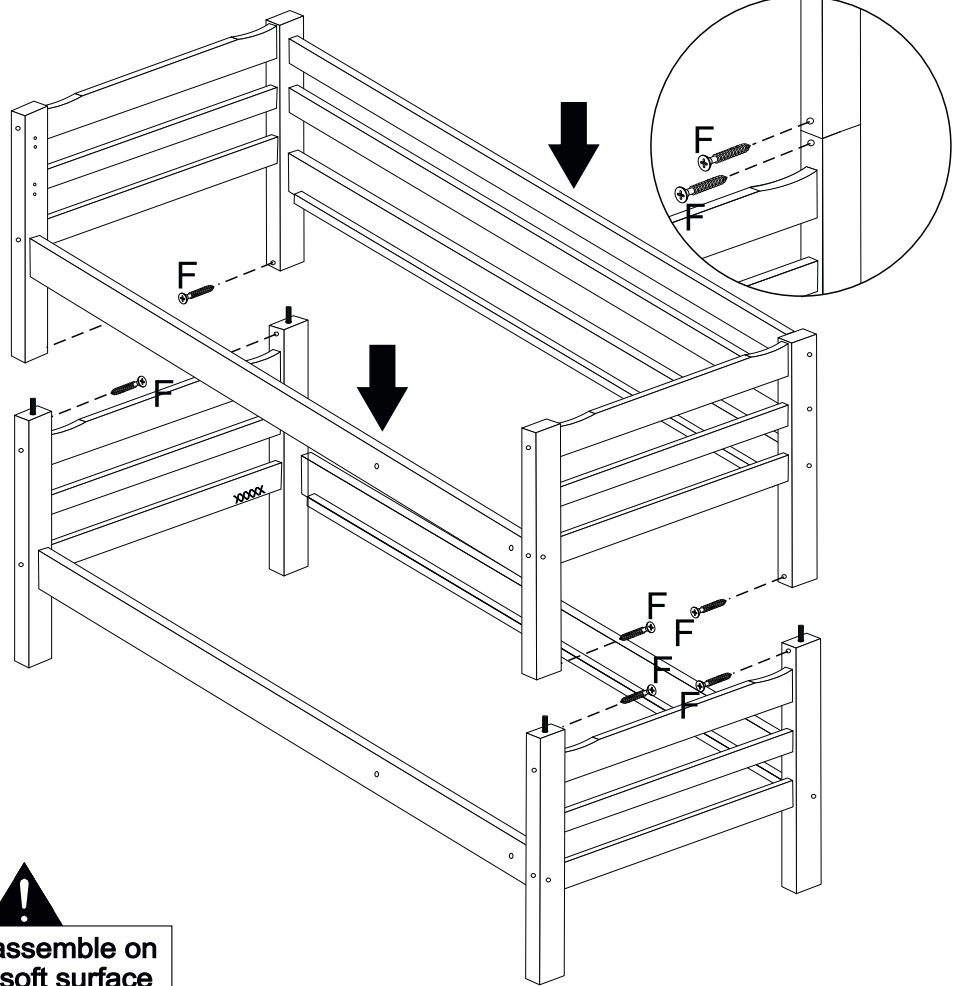
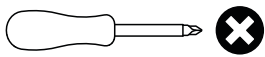
PARTS REQUIRED



HARDWARE REQUIRED



TOOLS REQUIRED



!
Please assemble on a clean soft surface to avoid damage.

STEP 10

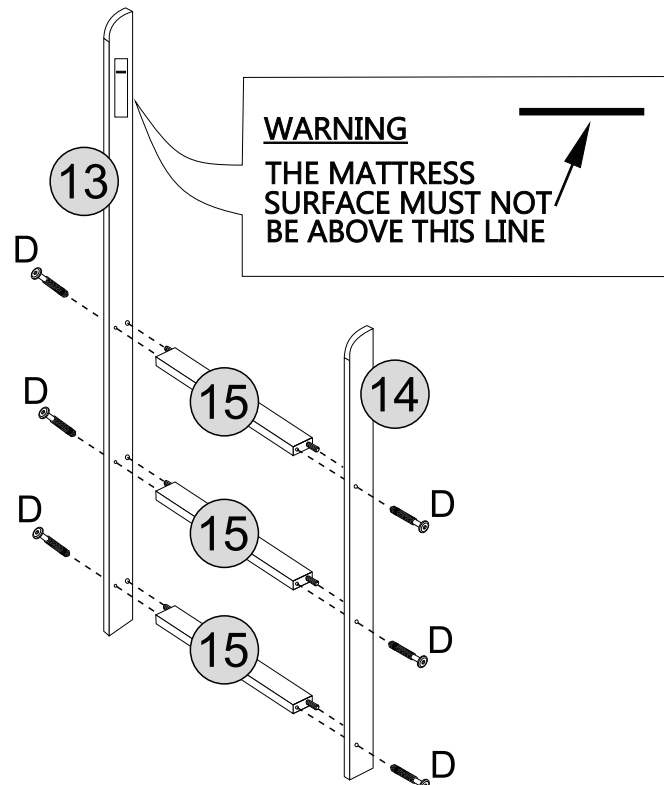
PARTS REQUIRED

- 13- LEFT LADDER UPRIGHT x1
- 14- RIGHT LADDER UPRIGHT x1
- 15- LADDER STEPS x3

HARDWARE REQUIRED



TOOLS REQUIRED



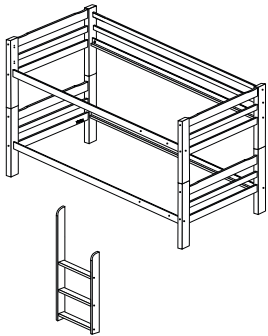
WARNING
THE MATTRESS SURFACE MUST NOT BE ABOVE THIS LINE

!
Please assemble on a clean soft surface to avoid damage.

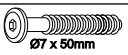
STEP 11

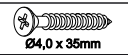
PARTS REQUIRED

16- SUPPORT BRACE x1

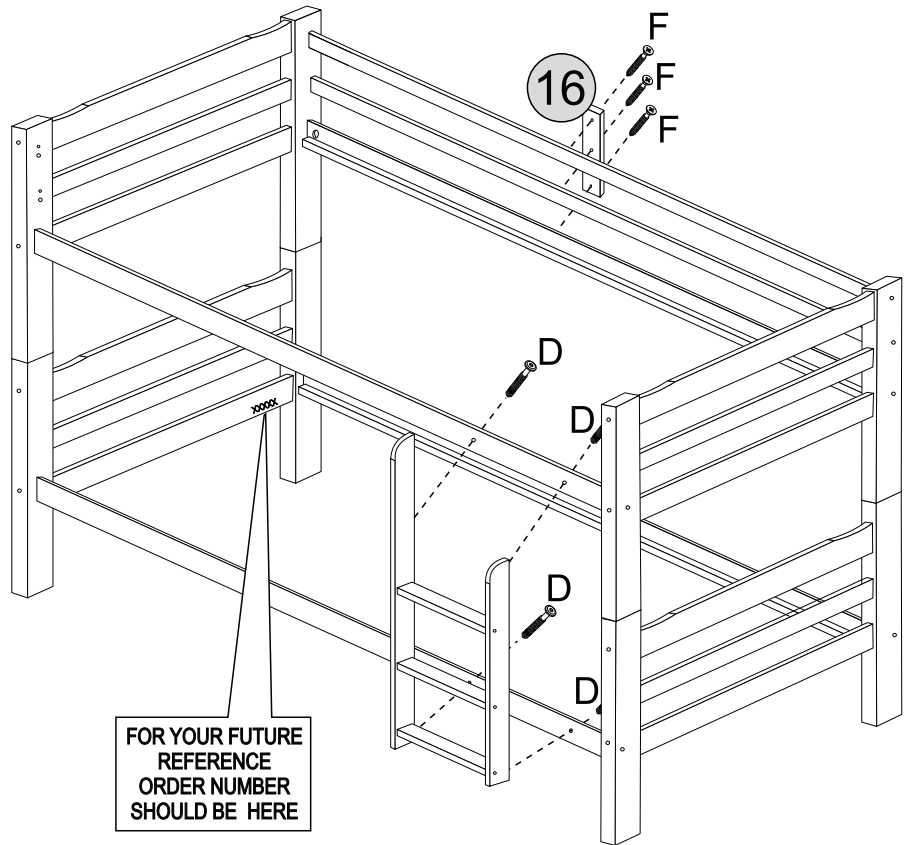
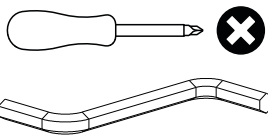


HARDWARE REQUIRED

D  04
Ø7 x 50mm

F  03
Ø4,0 x 35mm

TOOLS REQUIRED



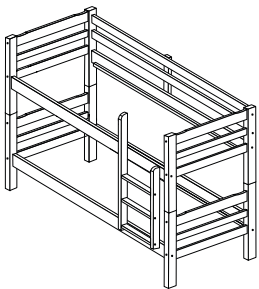
FOR YOUR FUTURE
REFERENCE
ORDER NUMBER
SHOULD BE HERE

STEP 12

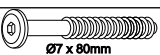
PARTS REQUIRED

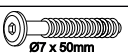
12 - SHORT SAFETY RAIL x2

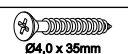
16 - SUPPORT BRACE x1



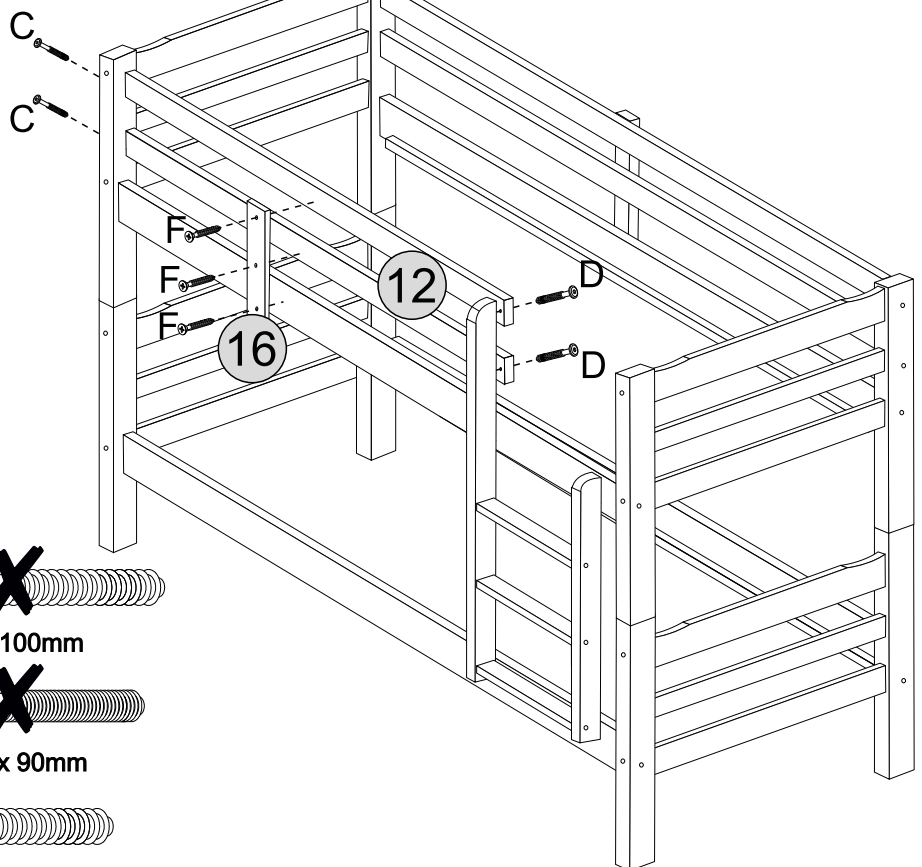
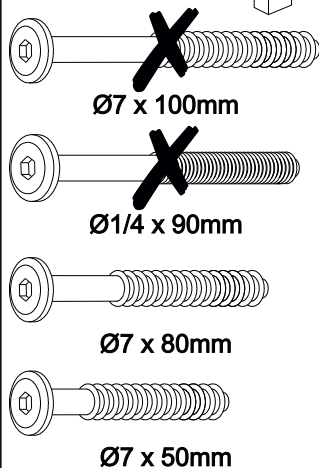
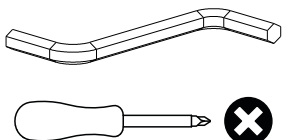
HARDWARE REQUIRED

C  02
Ø7 x 80mm

D  02
Ø7 x 50mm

F  03
Ø4,0 x 35mm

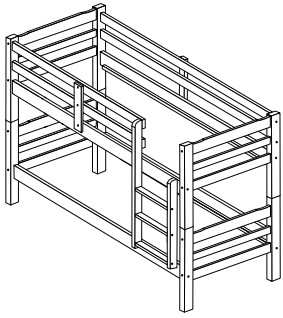
TOOLS REQUIRED




STEP 13


PARTS REQUIRED

17 - SLATS x28

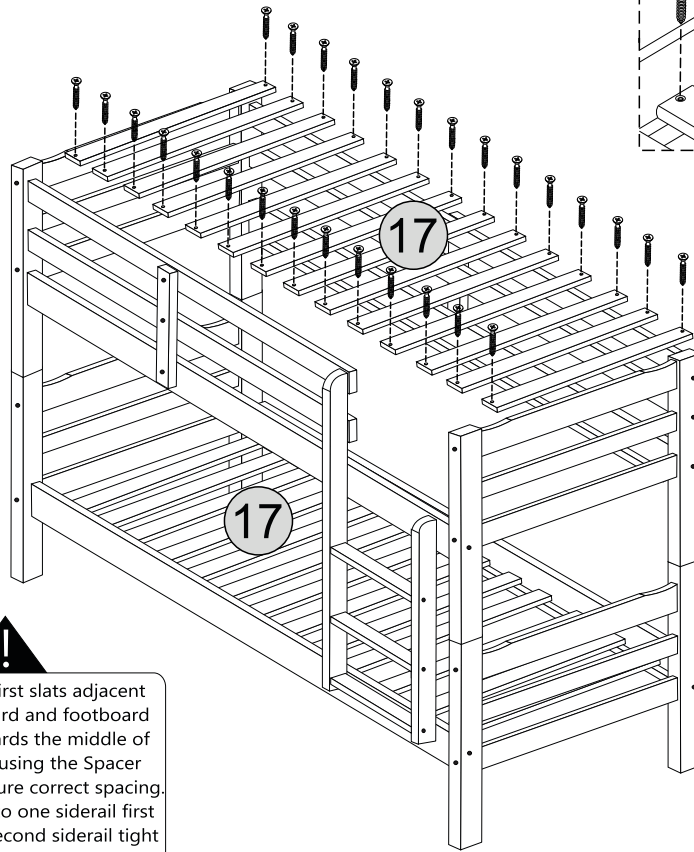
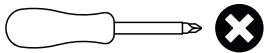


HARDWARE REQUIRED

H  56
3,5 x 30mm

J  02
SPACER

TOOLS REQUIRED



!
Please fix the first slats adjacent to the headboard and footboard and work towards the middle of the bunk bed using the Spacer as shown to ensure correct spacing. Fix all the slats to one siderail first then push the second siderail tight against the slats and fix. Please retain the Allen Key and use periodically to check that all bolts are tight.

STEP 14

PARTS REQUIRED

HARDWARE REQUIRED

TOOLS REQUIRED

