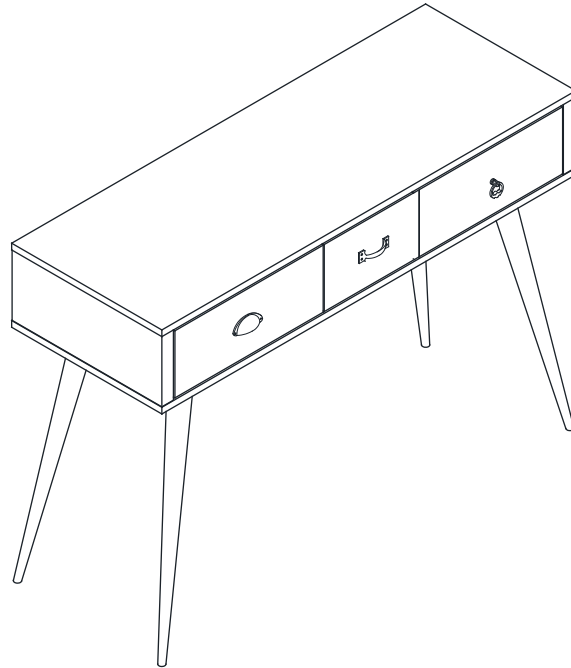


GREY/CHARCOAL CONCRETE EFFECT NORDIC 3 DRAWER OCCASIONAL TABLE ASSEMBLY INSTRUCTIONS



**FOR DOMESTIC USE ONLY
IMPORTANT**

PLEASE READ BEFORE YOU CONTINUE FURTHER

THE PRODUCT YOU HAVE PURCHASED WILL GIVE YOU MANY YEARS OF SERVICE IF YOU FOLLOW THE GUIDELINES FOR ITS SAFE ASSEMBLY AND PERIODIC MAINTENANCE AND CLEANING.

ASSEMBLE ON A SOFT CLEAN SURFACE.

DO NOT USE ANY TOOLS OTHER THAN THOSE SHOWN.

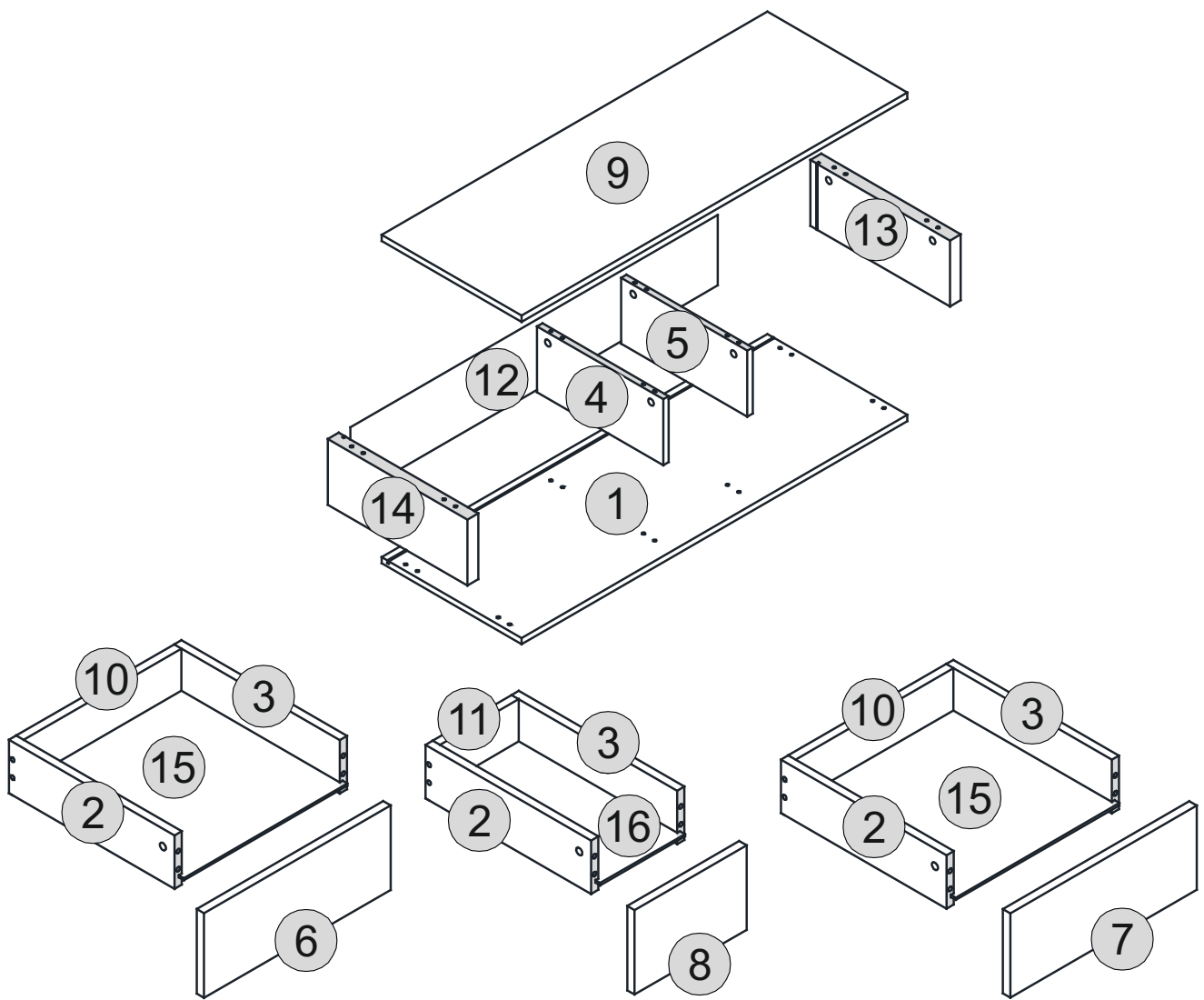
ANY SPANNERS OR ALLEN KEYS REQUIRED ARE INCLUDED WITH THE FITTING KIT.

DO NOT FOR ANY REASON USE A POWER TOOL TO ASSEMBLE THIS PRODUCT. ITS USE WILL INVALIDATE ANY CLAIM YOU MAY HAVE AND COULD MAKE THIS PRODUCT UNSAFE.

DEPENDING ON THE AMOUNT OF USE THIS PRODUCT RECEIVES, IT MAY BE NECESSARY TO TIGHTEN UP THE FIXINGS FROM TIME TO TIME. THIS IS COMPLETELY NORMAL FOR ANY FLAT PACK FURNITURE. DO NOT OVERTIGHTEN FIXINGS.

FOR CLEANING, YOU MAY USE A DAMP CLOTH (NOT WET). DO NOT USE POLISH, DETERGENT OR CHEMICAL CLEANERS.



THIS SURFACE OF THIS ITEM IS NOT HEAT RESISTANT. ALWAYS USE A PLACE MAT UNDER HOT OR COLD ITEMS TO PREVENT MARKING.



PART LIST


Part Number	Part Code	Part Description	Quantity	Carton
1	S100-120-020-TA1-01	Bottom Panel	1	1/1
2	S100-120-020-TA1-02	Left Drawer Side	3	1/1
3	S100-120-020-TA1-03	Right Drawer Side	3	1/1
4	S100-120-020-TA1-04	Left Centre Panel	1	1/1
5	S100-120-020-TA1-05	Right Centre Panel	1	1/1
6	S100-120-020-TA1-06	Left Drawer Front	1	1/1
7	S100-120-020-TA1-07	Right Drawer Front	1	1/1
8	S100-120-020-TA1-08	Centre Drawer Front	1	1/1
9	S100-120-020-TA1-09	Top Panel	1	1/1
10	S100-120-020-TA1-10	Back Drawer Side	2	1/1
11	S100-120-020-TA1-11	Centre Back Drawer Panel	1	1/1
12	S100-120-020-TA1-12	Back Panel	1	1/1
13	S100-120-020-TA1-13	Right Side Panel	1	1/1
14	S100-120-020-TA1-14	Left Side Panel	1	1/1
15	S100-120-020-TA1-15	Drawer Bottom	2	1/1
16	S100-120-020-TA1-16	Centre Drawer Bottom	1	1/1

HARDWARE LIST

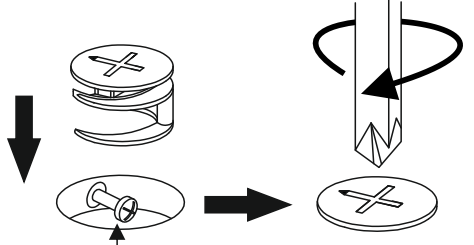
No.	Part Name		Qty	No.	Part Name		Qty
A	Wooden Dowel (6x25mm)		x22	H	Wooden Leg + Plastic Foot		x4
B	45mm Screw (4x45mm)		x8	I	14" Drawer Slide (0.9mm W (vkt))		x3
C	38mm Screw (4x38mm)		x12	J	Handle+Screw 1pc(M4x20mm)		x1
D	14mm Screw (3.5x14mm)		x28	K	Handle+Screw 2pc(M3x16mm)		x1
E	Cam Bolt (8032T)		x14	L	Handle+Screw 4pc(M3x16mm)		x1
F	Cam Nut (1512)		x14	M	Wall Fixings (4x20mm=1pc)		x1
G	Corner Support (AC 101)		x2	N	65mm Screw (4x65mm)		x4

TIPS FOR FITTINGS CAM-LOCKS

WHEN FITTING CAM NUT. ENSURE STARTING POSITION IS CORRECT BEFORE YOU INSERT CONNECTING CAM BOLT TURN CLOCKWISE UNTIL SECURE



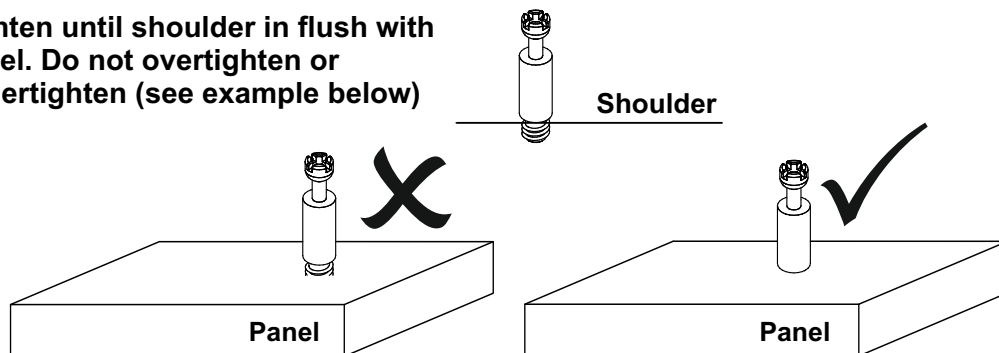
↑ CORRECT
 ↑ WRONG



Cam bolt head needs to be in centre

CAMBOLT

Tighten until shoulder in flush with panel. Do not overtighten or undertighten (see example below)



Shoulder


Panel

STEP 1

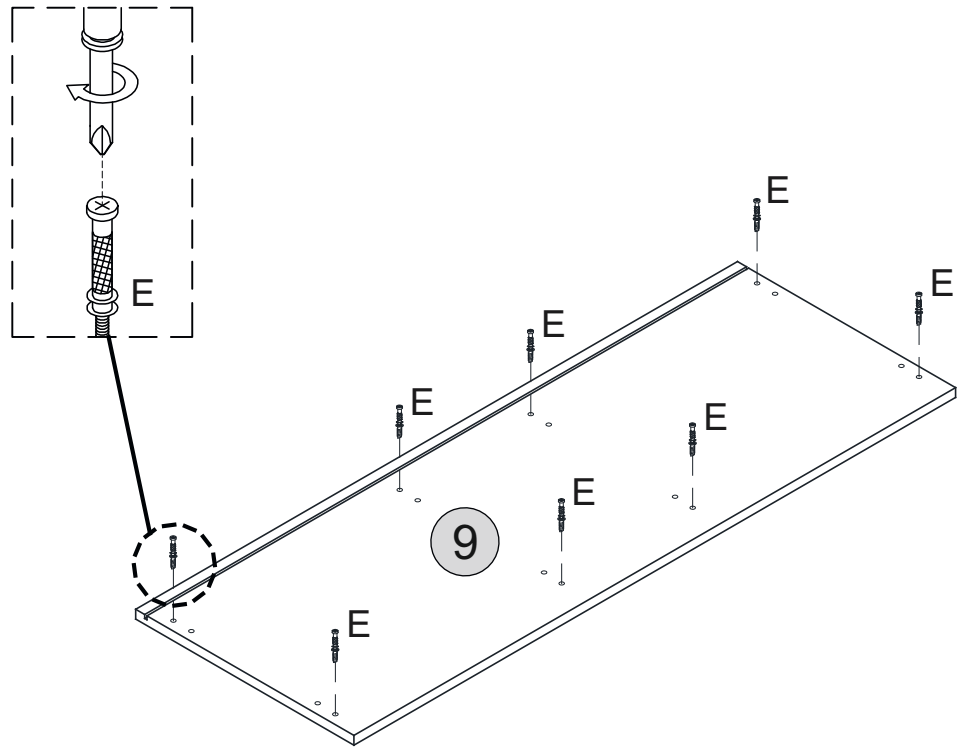
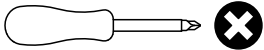
PARTS REQUIRED

9 - TOP PANEL x1

HARDWARE REQUIRED

E  08

TOOLS REQUIRED



STEP 2

PARTS REQUIRED

13 - RIGHT SIDE PANEL x1

14 - LEFT SIDE PANEL x1

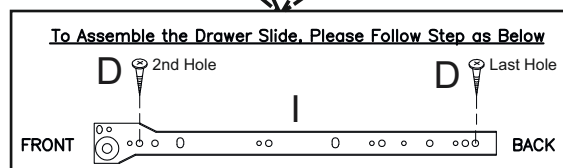
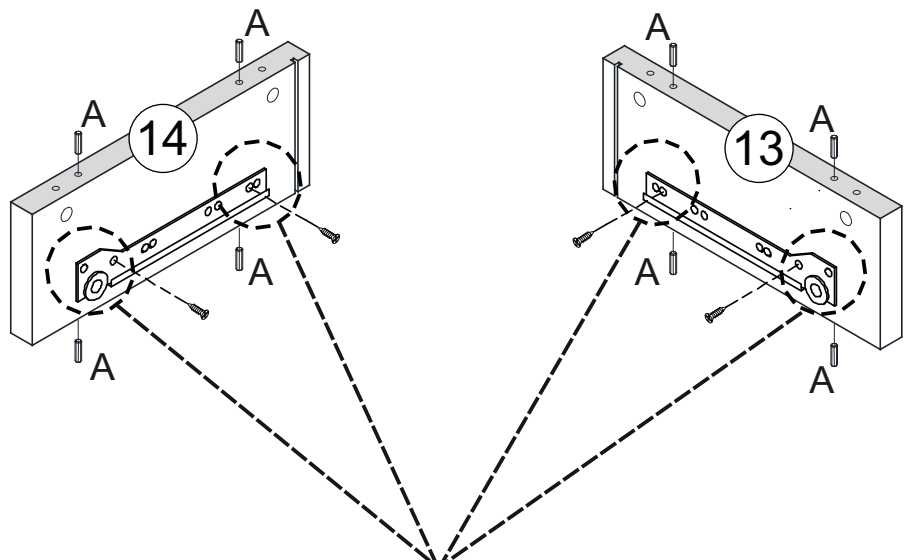
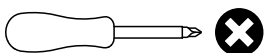
HARDWARE REQUIRED

A  08

D  3.5x14mm 04

I  02

TOOLS REQUIRED



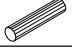
STEP 3

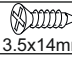
PARTS REQUIRED

4 - LEFT CENTRE PANEL x1

5 - RIGHT CENTRE PANEL x1

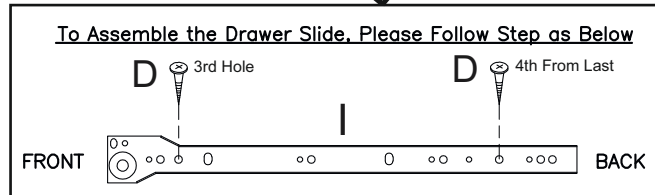
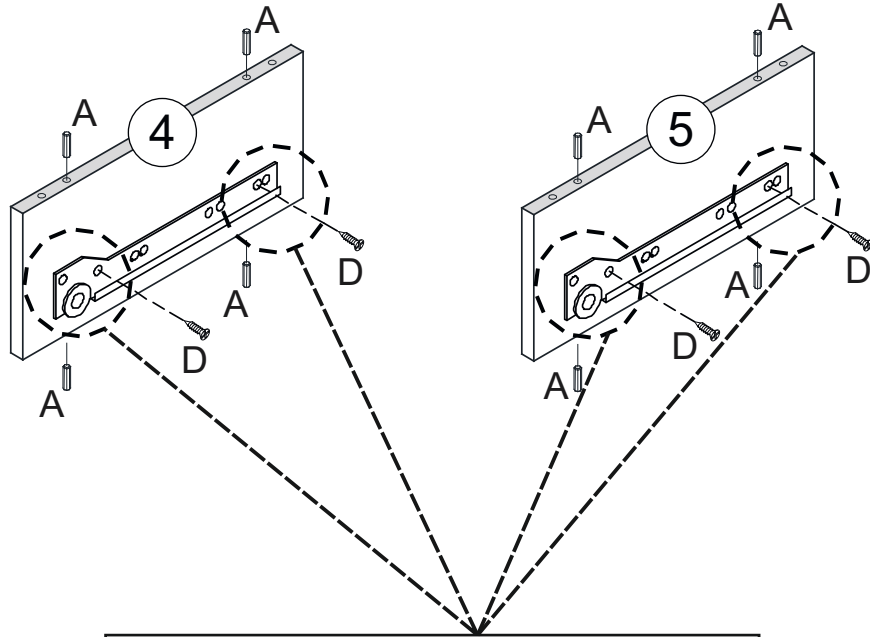
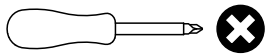
HARDWARE REQUIRED

A  08

D  3.5x14mm 04

I  02

TOOLS REQUIRED



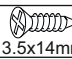
STEP 4

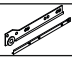
PARTS REQUIRED

4 - LEFT CENTRE PANEL x1

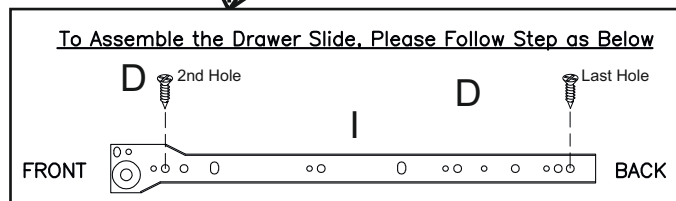
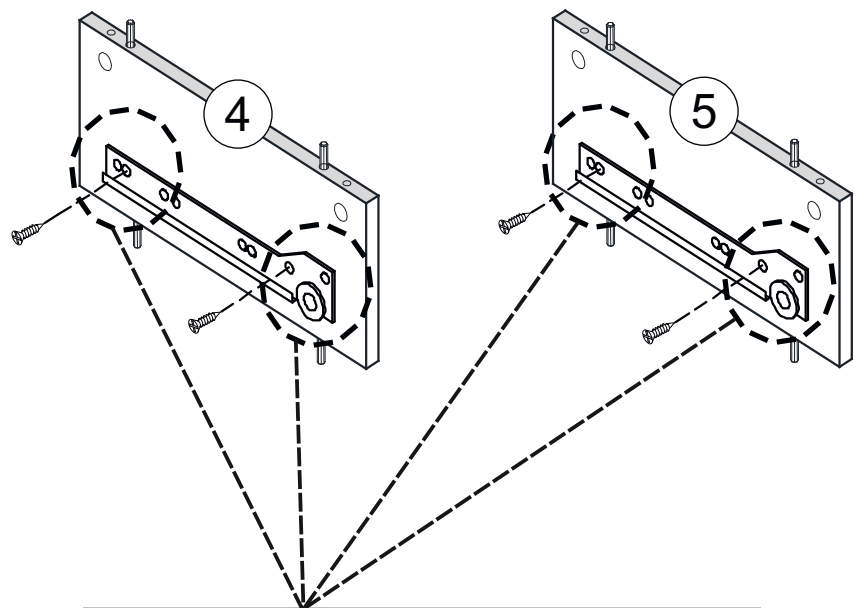
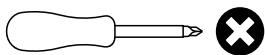
5 - RIGHT CENTRE PANEL x1

HARDWARE REQUIRED

D  3.5x14mm 04

I  02

TOOLS REQUIRED



STEP 5

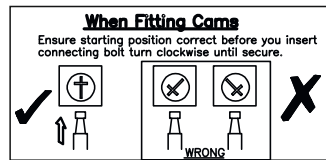
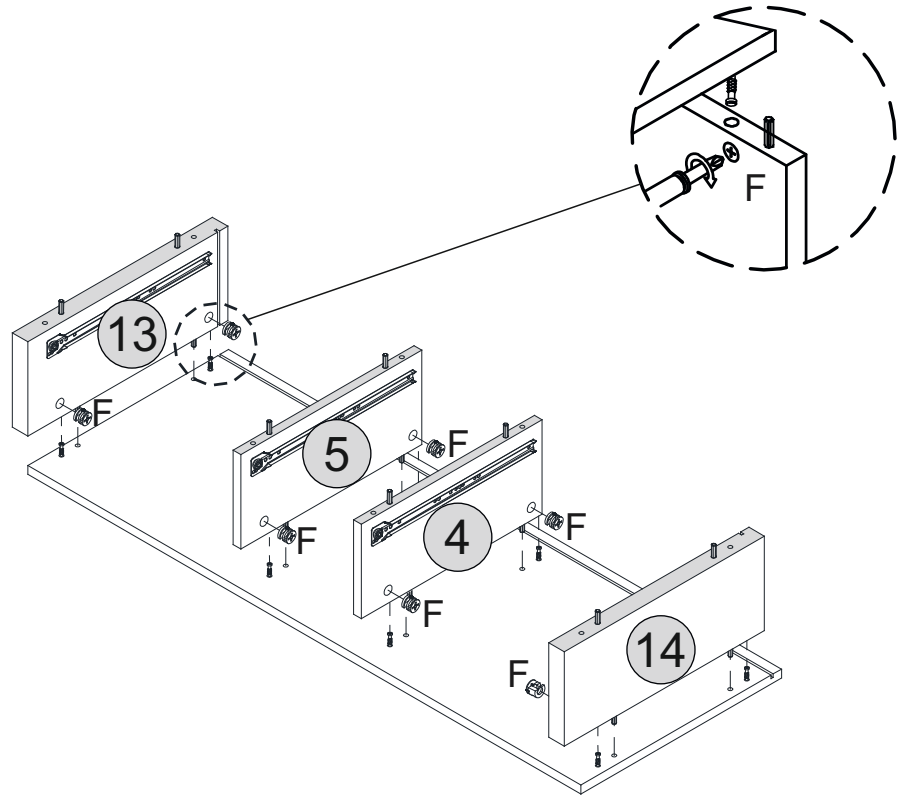
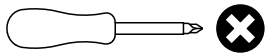
PARTS REQUIRED

4 - LEFT CENTRE PANEL	x1
5 - RIGHT CENTRE PANEL	x1
9 - TOP PANEL	x1
13 - RIGHT SIDE PANEL	x1
14 - LEFT SIDE PANEL	x1

HARDWARE REQUIRED

F		08
---	---	----

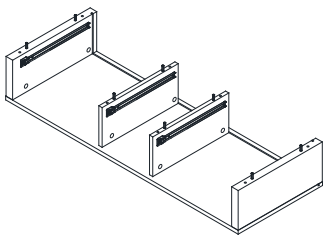
TOOLS REQUIRED



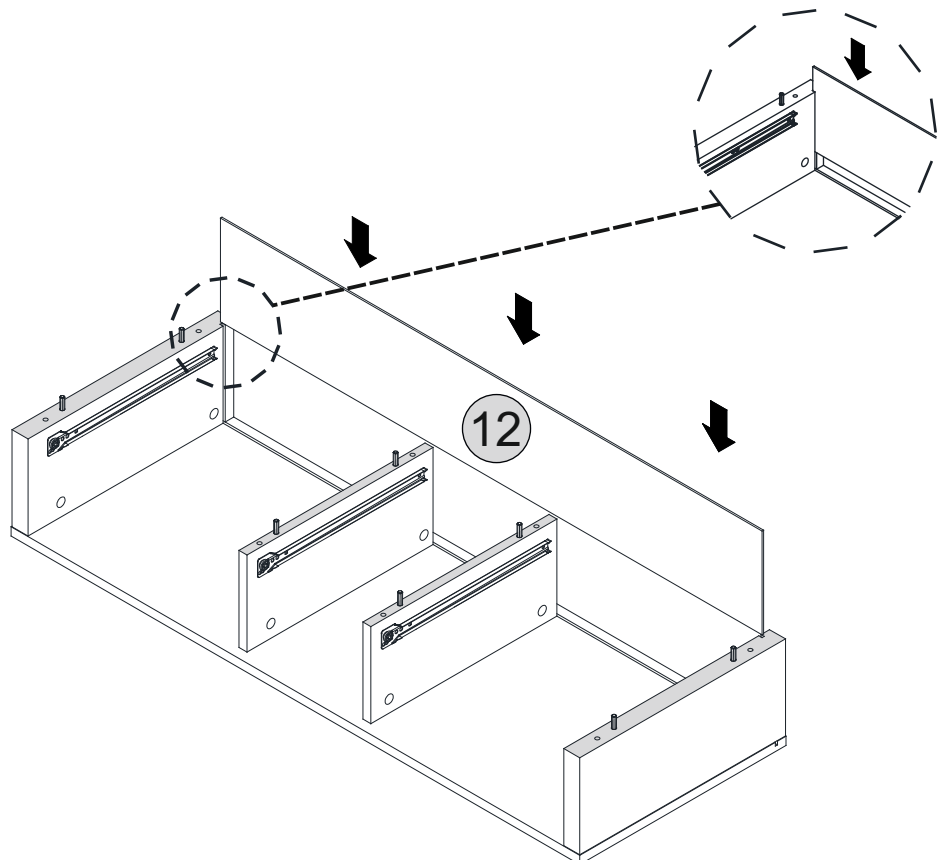
STEP 6

PARTS REQUIRED

12 - BACK PANEL	x1
-----------------	----



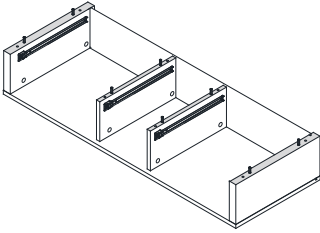
HARDWARE REQUIRED



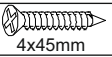
STEP 7

PARTS REQUIRED

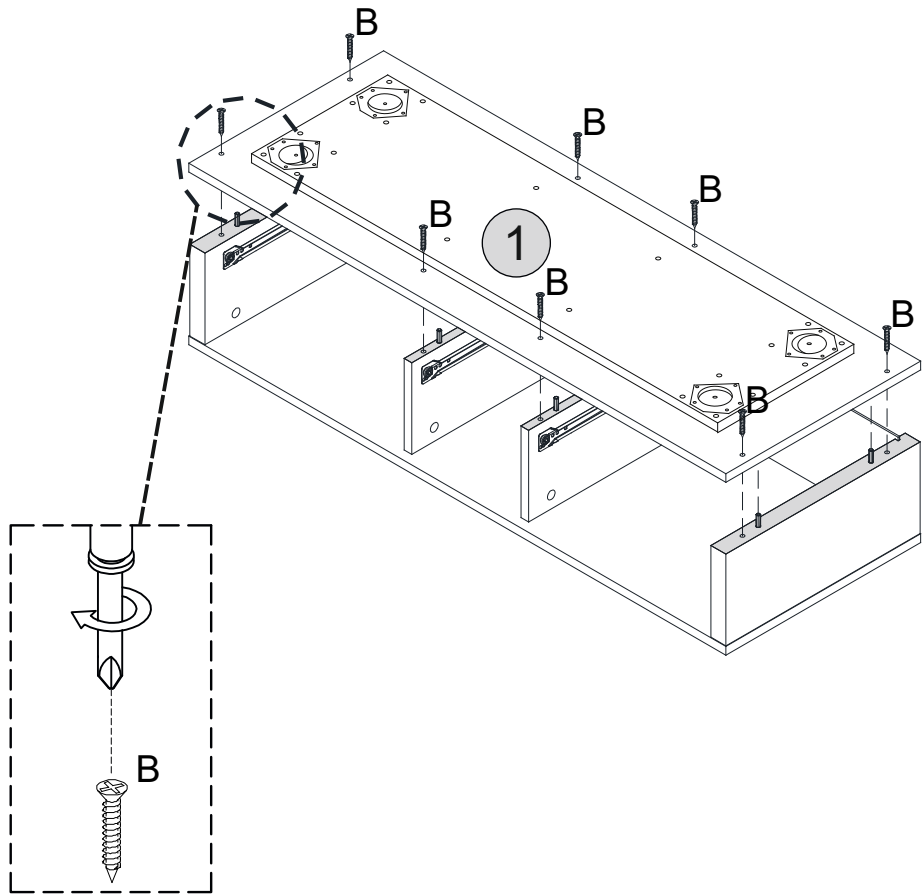
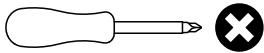
1 - BOTTOM PANEL x1



HARDWARE REQUIRED

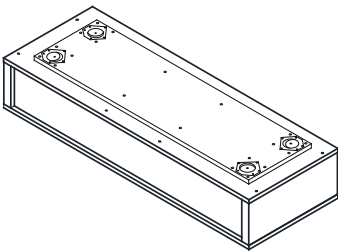
B  08
4x45mm

TOOLS REQUIRED

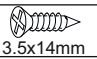


STEP 8

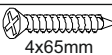
PARTS REQUIRED



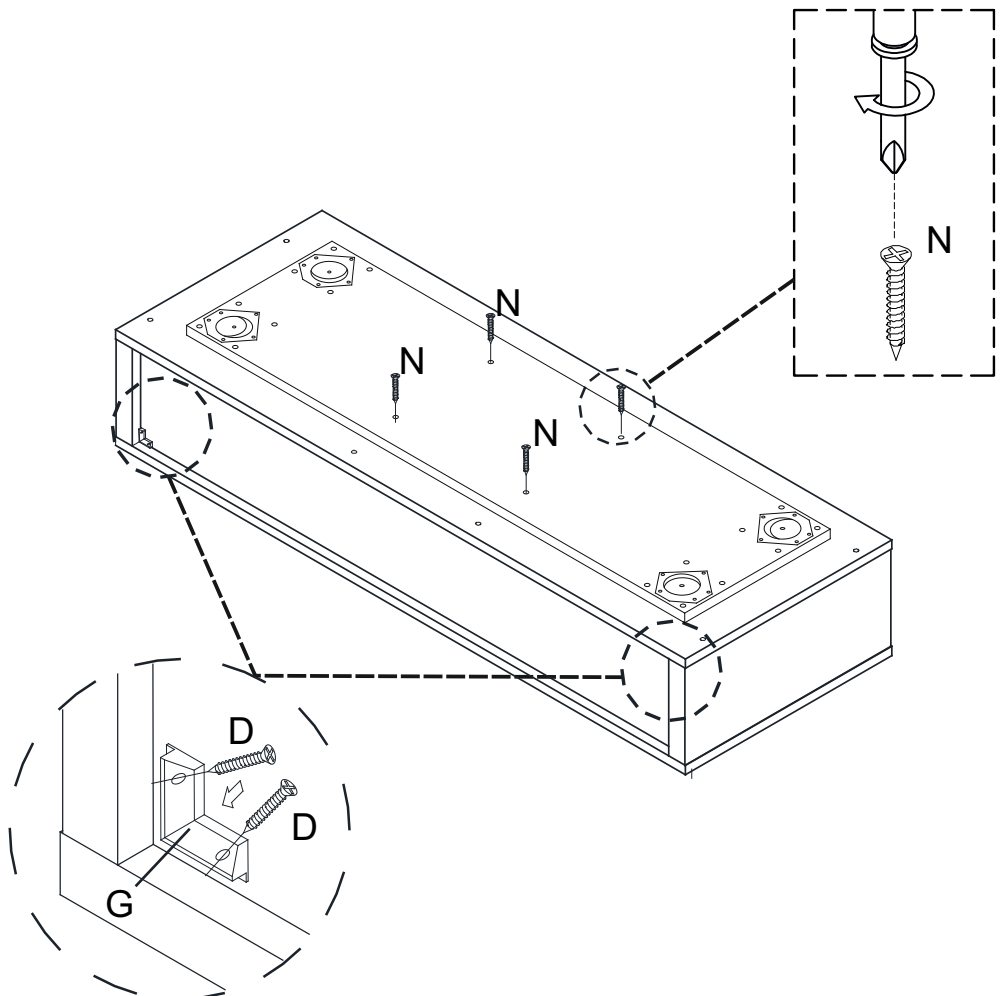
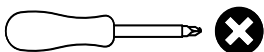
HARDWARE REQUIRED

D  04
3.5x14mm

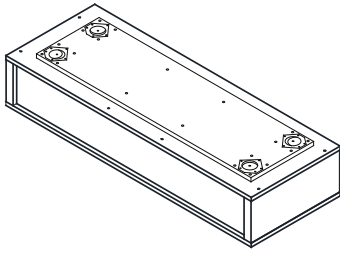
G  02

N  04
4x65mm

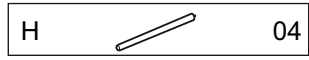
TOOLS REQUIRED



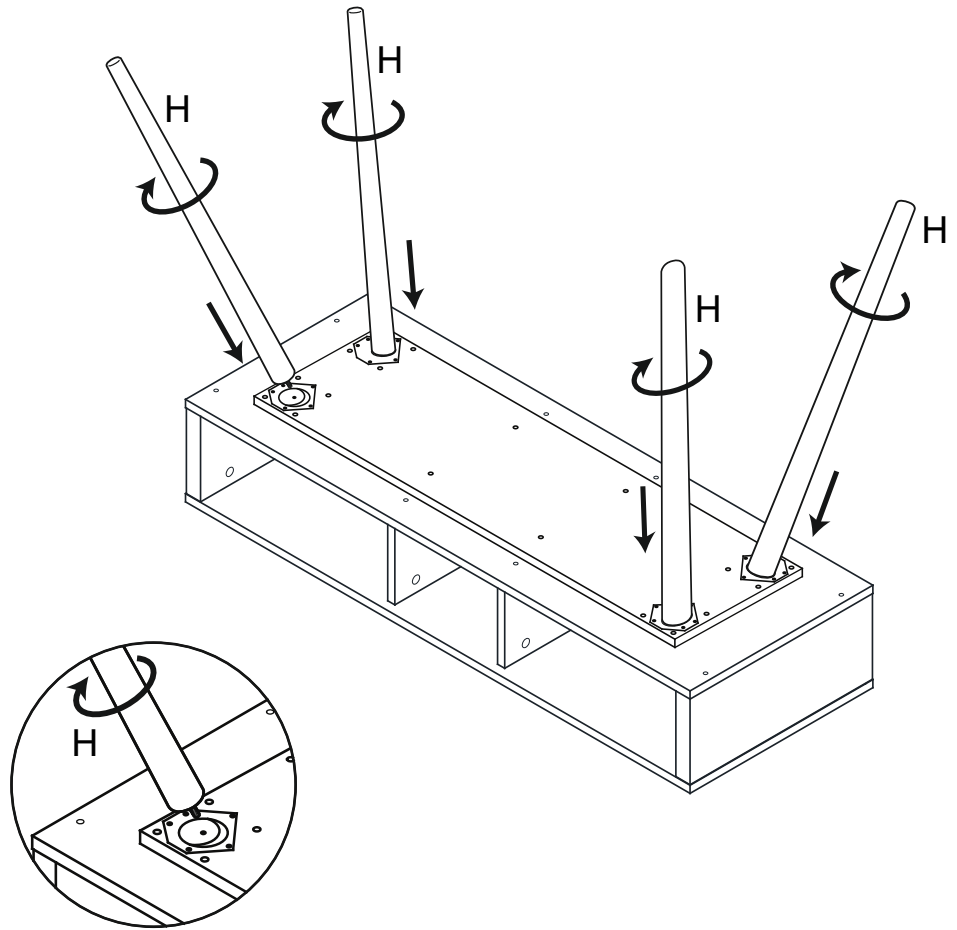
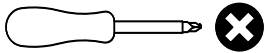
STEP 9



HARDWARE REQUIRED



TOOLS REQUIRED



STEP 10

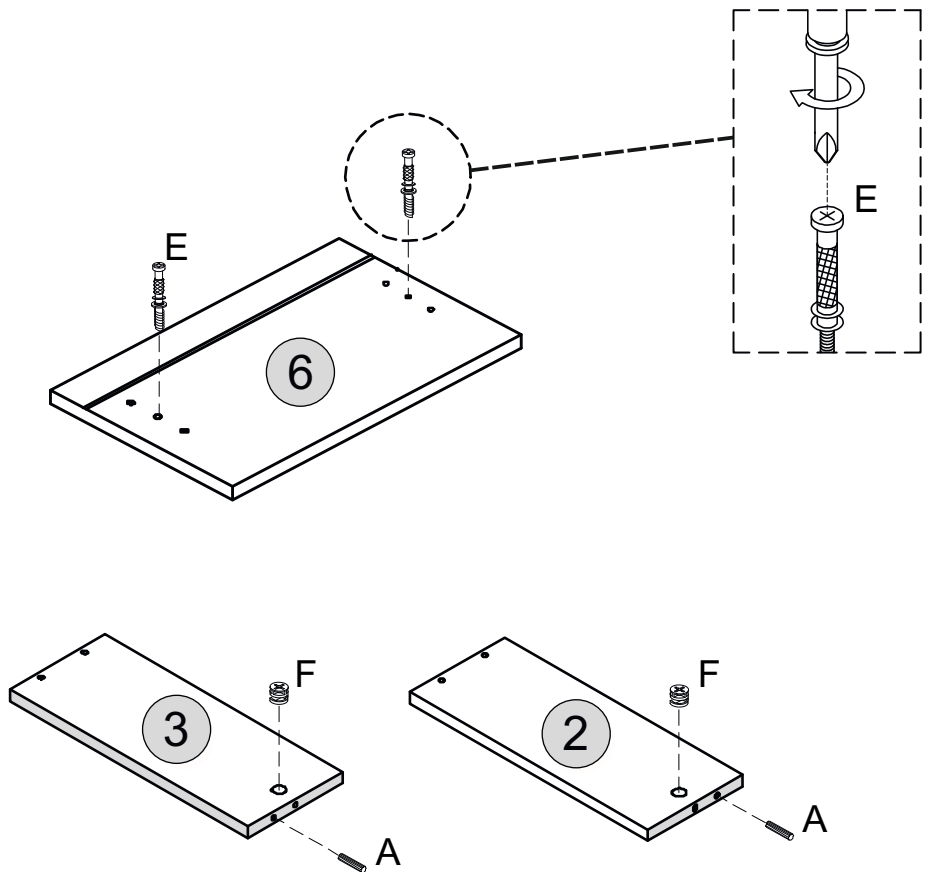
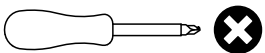
PARTS REQUIRED

- 2 - LEFT DRAWER SIDE x1
- 3 - RIGHT DRAWER SIDE x1
- 6 - LEFT DRAWER FRONT x1

HARDWARE REQUIRED

- | | | |
|---|--|----|
| A | | 02 |
| E | | 02 |
| F | | 02 |

TOOLS REQUIRED

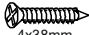


STEP 11

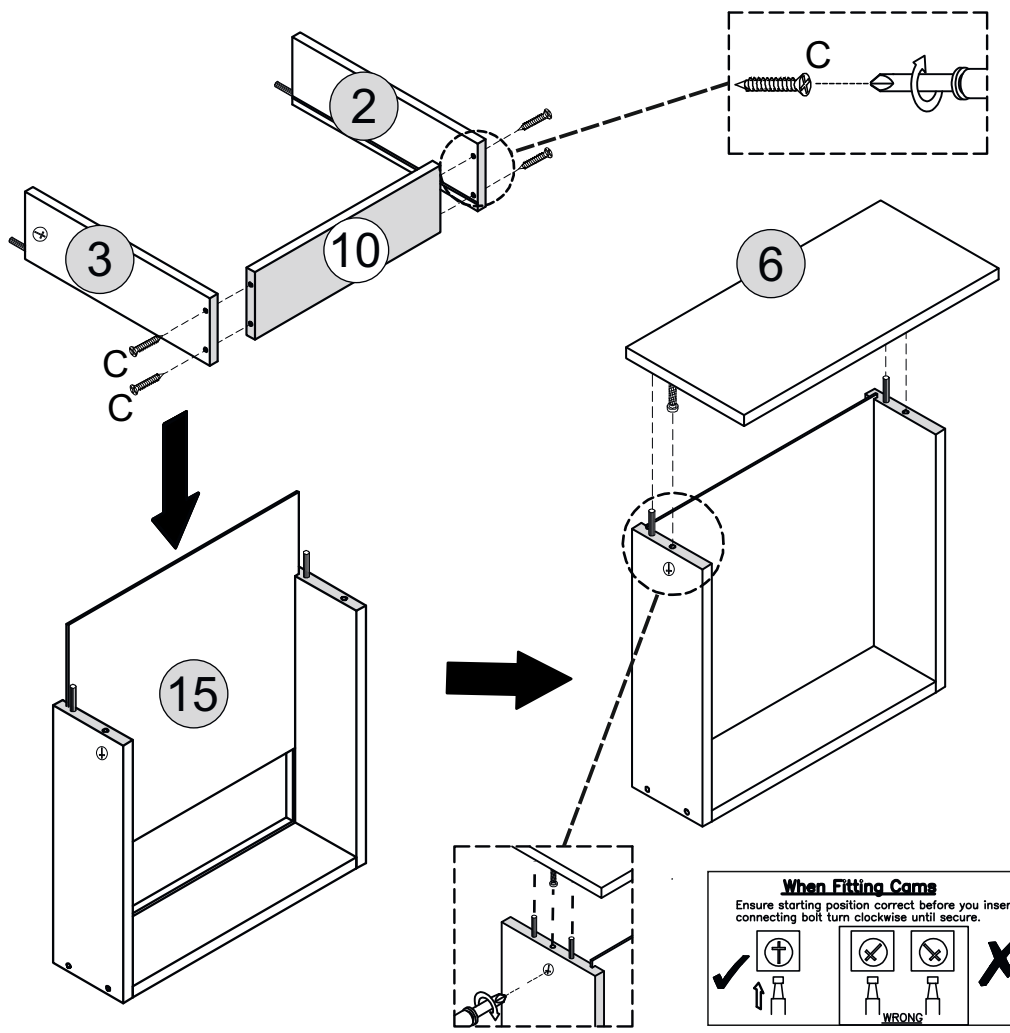
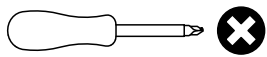
PARTS REQUIRED

2 - LEFT DRAWER SIDE	x1
3 - RIGHT DRAWER SIDE	x1
6 - LEFT DRAWER FRONT	x1
10 - BACK DRAWER SIDE	x1
15 - DRAWER BOTTOM	x1

HARDWARE REQUIRED

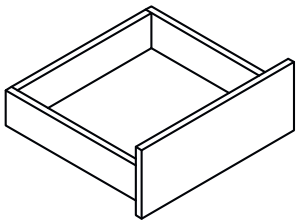
C		04
---	---	----

TOOLS REQUIRED

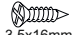




STEP 12

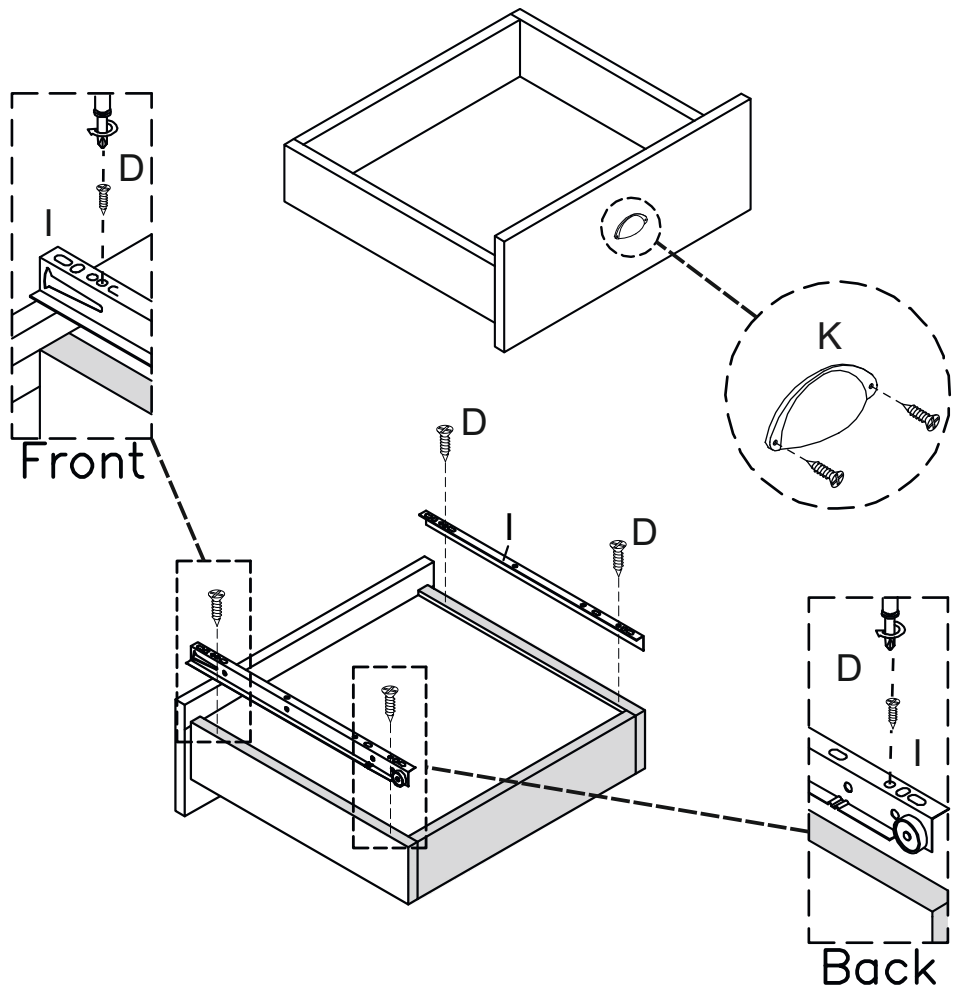
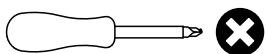
PARTS REQUIRED



HARDWARE REQUIRED

D		04
I		02
K		01

TOOLS REQUIRED



STEP 13

PARTS REQUIRED

2 - LEFT DRAWER SIDE x1

3 - RIGHT DRAWER SIDE x1

7 - RIGHT DRAWER FRONT x1

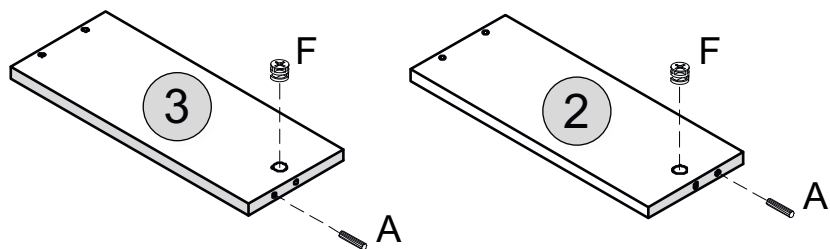
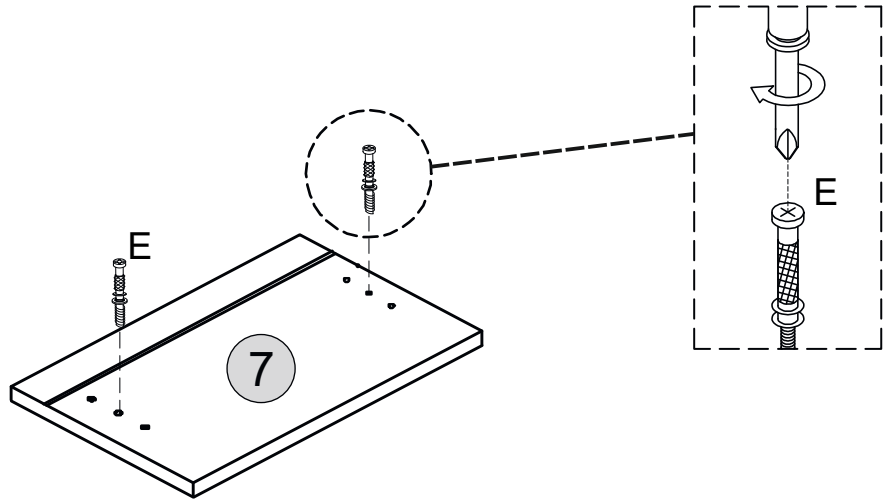
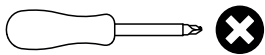
HARDWARE REQUIRED

A  02

E  02

F  02

TOOLS REQUIRED



STEP 14

PARTS REQUIRED

2 - LEFT DRAWER SIDE x1

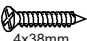
3 - RIGHT DRAWER SIDE x1

7 - RIGHT DRAWER FRONT x1

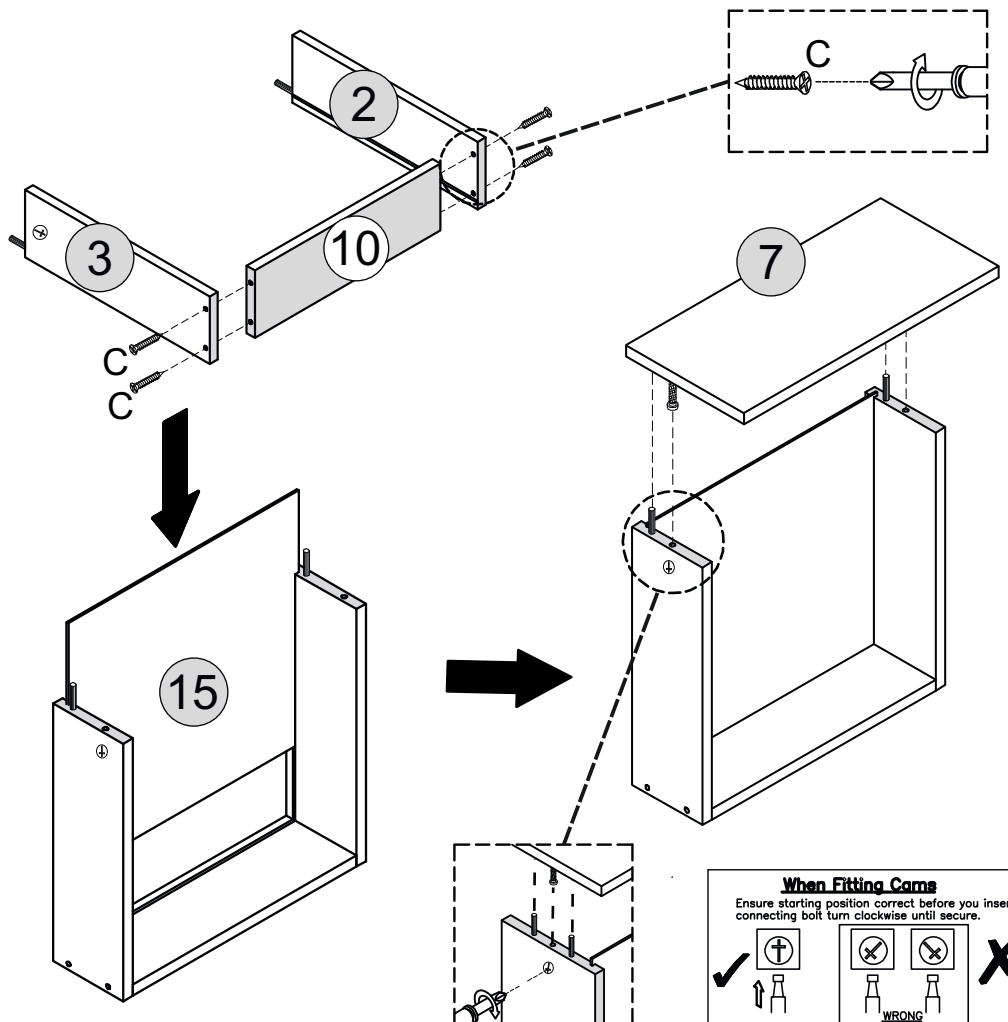
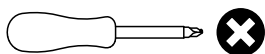
10 - BACK DRAWER SIDE x1

15 - DRAWER BOTTOM x1

HARDWARE REQUIRED

C  04
4x38mm

TOOLS REQUIRED

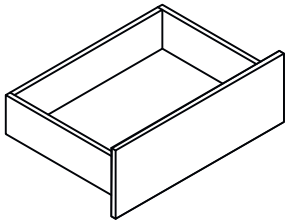


When Fitting Cams
Ensure starting position correct before you insert connecting bolt turn clockwise until secure.

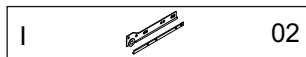
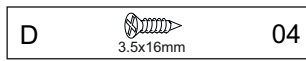
WRONG

STEP 15

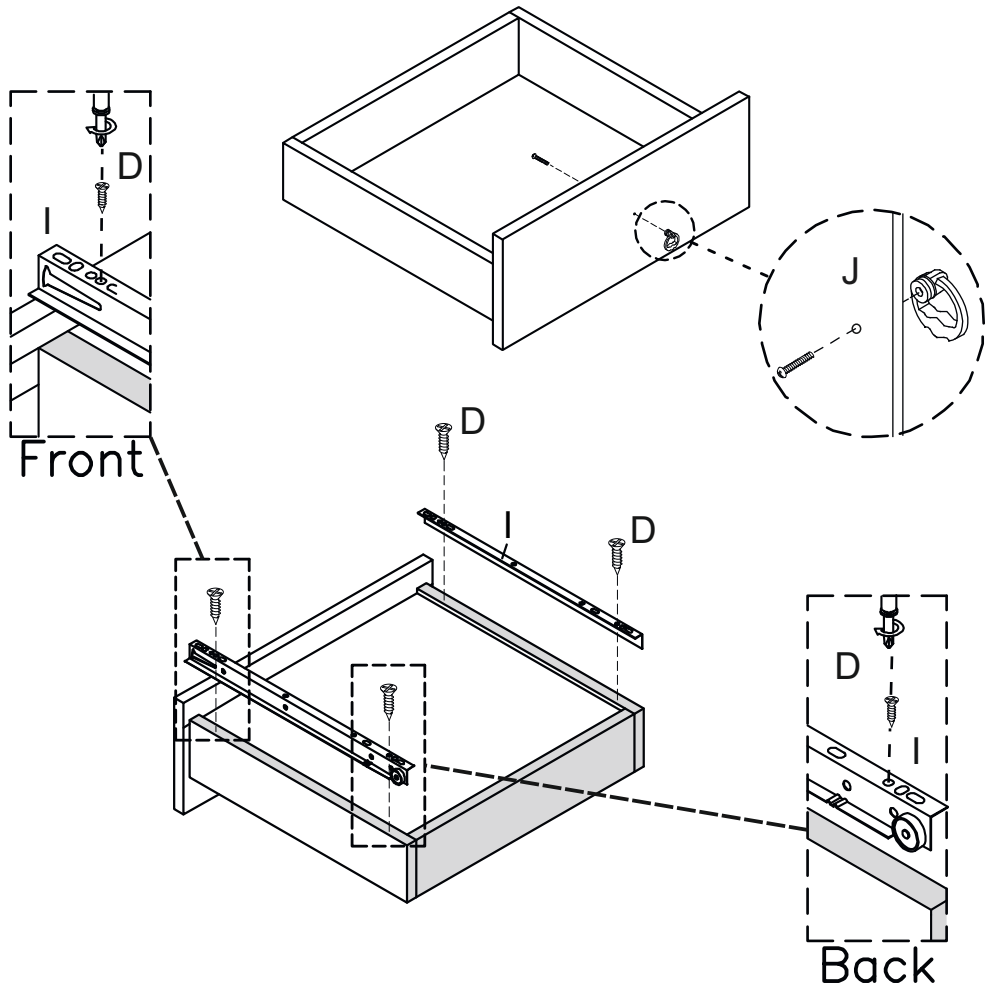
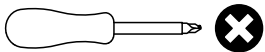
PARTS REQUIRED



HARDWARE REQUIRED



TOOLS REQUIRED

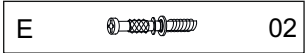
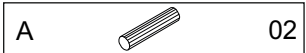


STEP 16

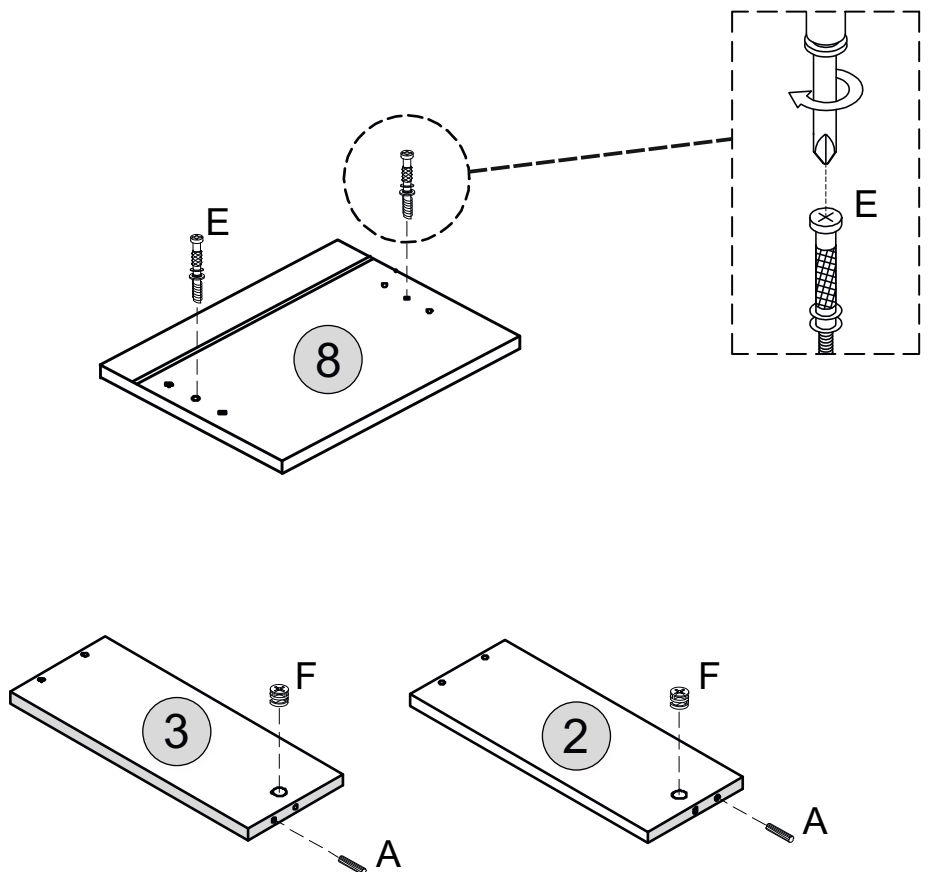
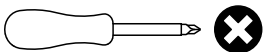
PARTS REQUIRED



HARDWARE REQUIRED



TOOLS REQUIRED



STEP 17

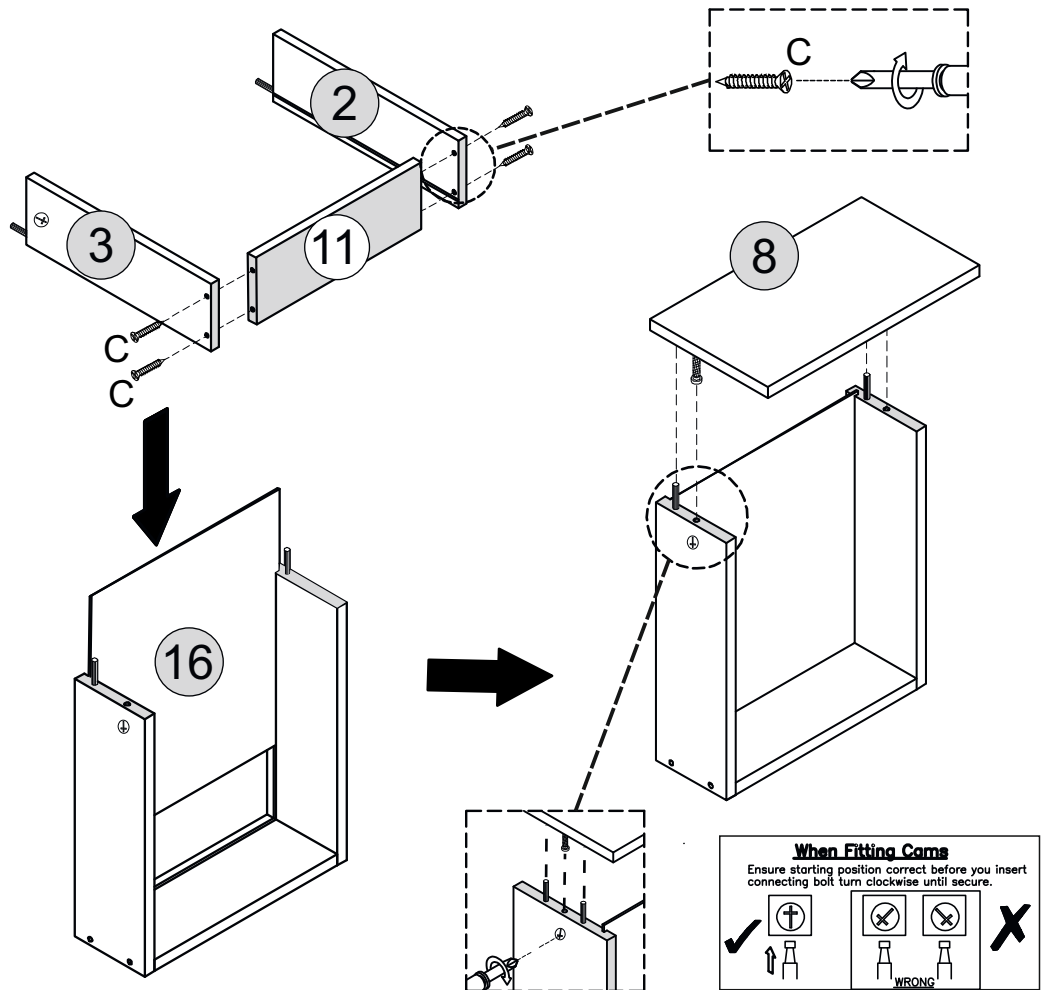
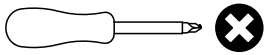
PARTS REQUIRED

- 2 - LEFT DRAWER SIDE x1
- 3 - RIGHT DRAWER SIDE x1
- 8 - CENTRE DRAWER FRONT x1
- 11 - CENTRE BACK DRAWER PANEL x1
- 15 - CENTRE DRAWER BOTTOM x1

HARDWARE REQUIRED

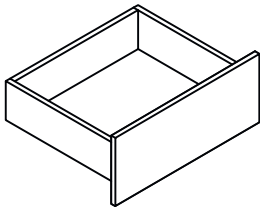
- C  04

TOOLS REQUIRED






STEP 18

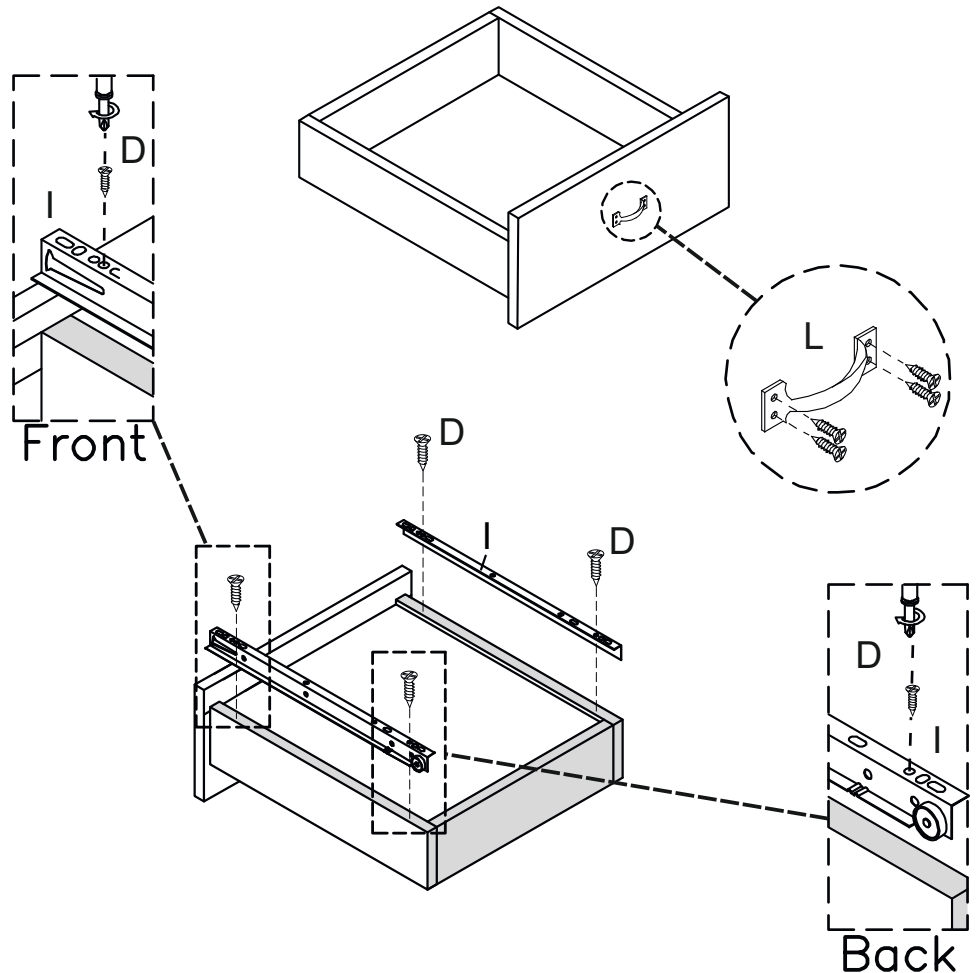
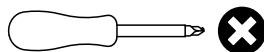
PARTS REQUIRED



HARDWARE REQUIRED

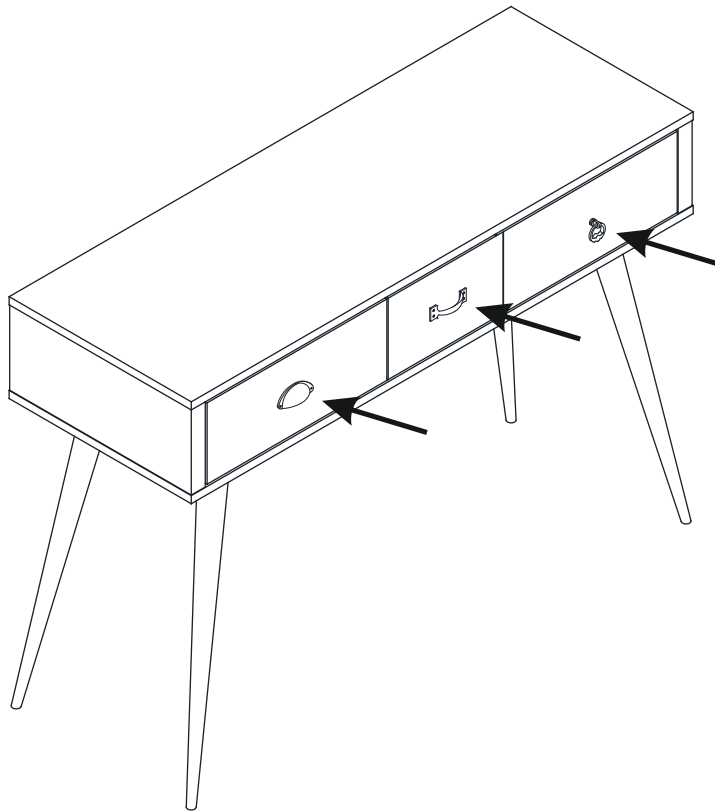
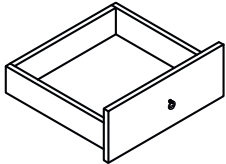
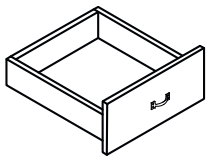
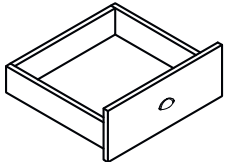
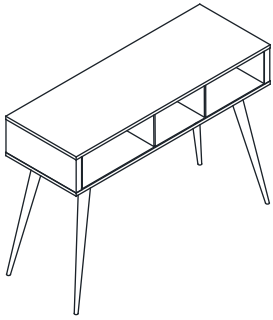
- D  04
- I  02
- L  01

TOOLS REQUIRED



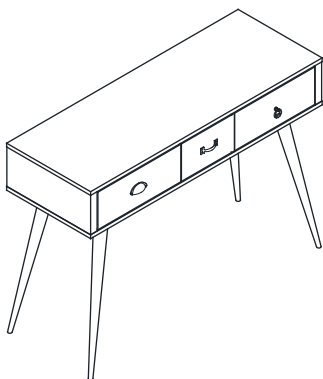
STEP 19

PARTS REQUIRED



STEP 20

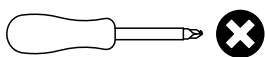
PARTS REQUIRED



HARDWARE REQUIRED



TOOLS REQUIRED



WARNING

Serious or fatal injuries can occur from furniture tipping over. To prevent the furniture from tipping over we recommend that it is permanently fixed to the wall.

Wall fixings are not supplied with this product as different wall materials require different types of fixing devices. Please make sure you use fixings suitable for the walls in your home.

