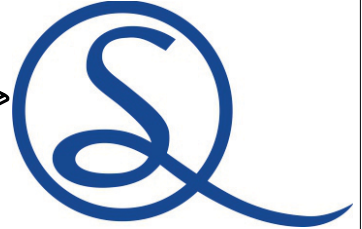
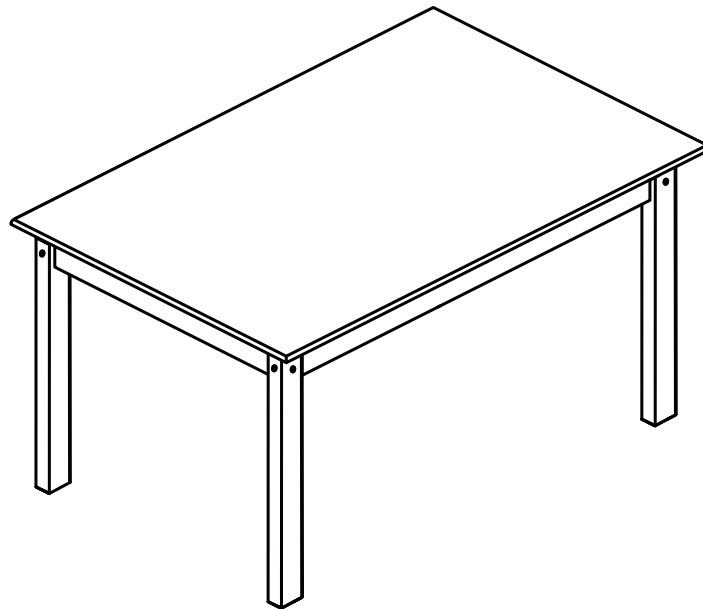


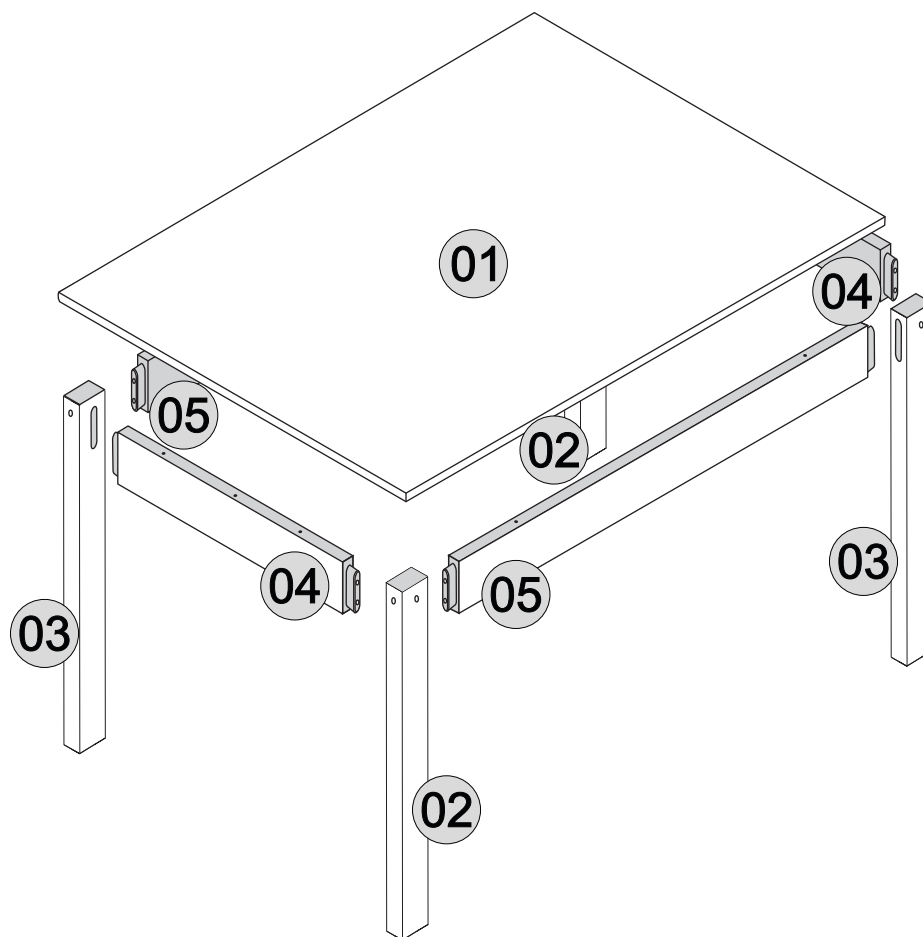
3457

LUDLOW 1+4 DINING TABLE ASSEMBLY INSTRUCTIONS



IMPORTANT PLEASE READ BEFORE YOU CONTINUE FURTHER FOR DOMESTIC USE ONLY CARE AND MAINTENANCE

- After unpacking this product please keep the original packaging in case it needs to be returned for any reason.
- Please ensure all fittings and parts are present before commencing with assembly.
- We recommend that you lay a blanket or sheet on the floor to avoid damage to both your floor and the product.
- We strongly recommend that you keep children away from your work area.
- Assemble this product as close to its final position as possible.
- Never drag or push products as this could cause damage to the joints making it inferior.
- Do not drag or push items across your furniture as this may cause the surface to scratch.
- Do not place this product next to a radiator or in direct sunlight.
- Wood is a natural product and may expand if subjected to damp and may shrink or crack if subjected to heat. Therefore it is recommended that room temperature is maintained, with no sudden temperature fluctuations.
- Make sure any spillage is wiped off immediately.
- Do not place hot or chilled items directly on to the surface, use a place mat or marking will occur.
- For general cleaning use a soft cotton or micro fibre cloth, and do not use detergents of any kind.
- Do not place on a wet or damp floor as staining may occur to your floor.
- From time to time it may be necessary to tighten fittings, regular inspections should be carried out.



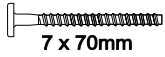
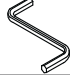


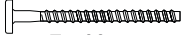
!
 * Use of power tools to assemble this product will invalidate any claim and damage this product making it unsafe !!!
 * Please assemble on a clean soft surface to avoid damage.

!
 * Please check contents and read the instructions before commencing assembly.
 * Assemble this product following the enclosed instructions carefully.
 * Please take care to avoid damaging panels during assembly.

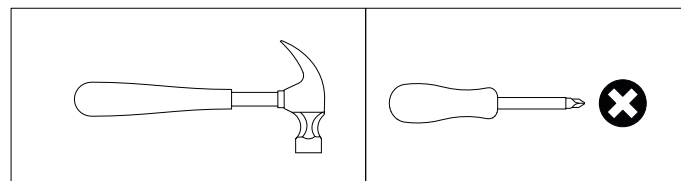
PARTS LIST

Part Number	Part Code	Part Description	Quantity	Carton
01	S400-401-107-DC1-01T	Table Top	1	1/2
02	S400-401-107-DC1-02T	Table Leg (Blue)	2	2/2
03	S400-401-107-DC1-03T	Table Leg (Yellow)	2	2/2
04	S400-401-107-DC1-04T	Short Frame Side	2	1/2
05	S400-401-107-DC1-05T	Long Frame Side	2	2/2

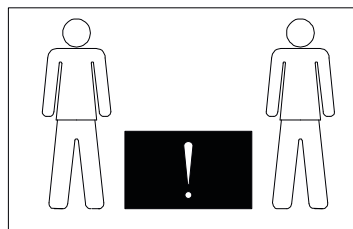
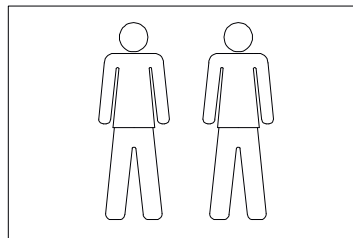
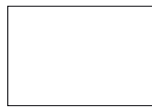
FITTINGS

A	 7 x 70mm	04	D		01
B	 4 x 35mm	12	E	 GLUE	01
C	 7 x 90mm	04			

TOOLS REQUIRED



2,5m x 3m





STEP 1

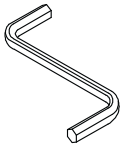
PARTS REQUIRED


02 -TABLE LEG (BLUE)	x1
03 -TABLE LEG (YELLOW)	x1
05 -LONG FRAME SIDE	x1

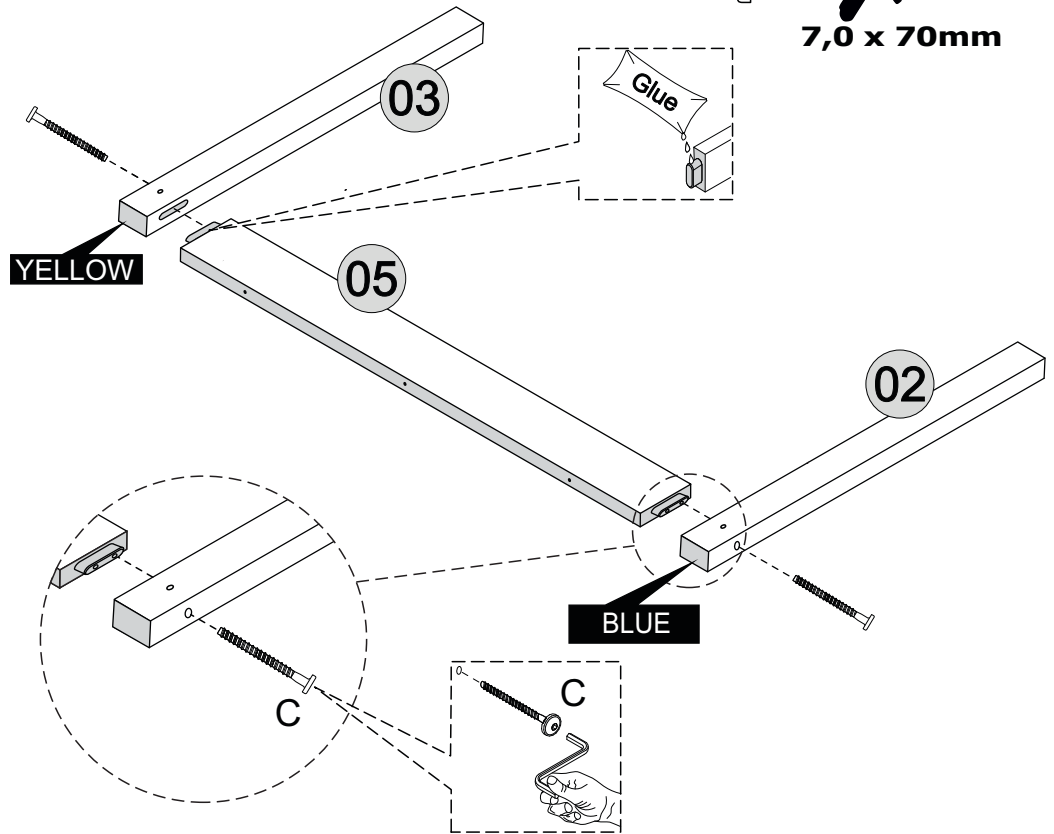
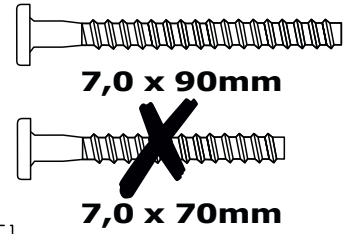
HARDWARE REQUIRED

C		02
E		01

TOOLS REQUIRED



 Glue must be added to Parts 02,03 and 05.





STEP 2

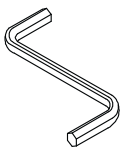
PARTS REQUIRED


02 -TABLE LEG (BLUE)	x1
03 -TABLE LEG (YELLOW)	x1
05 -LONG FRAME SIDE	x1

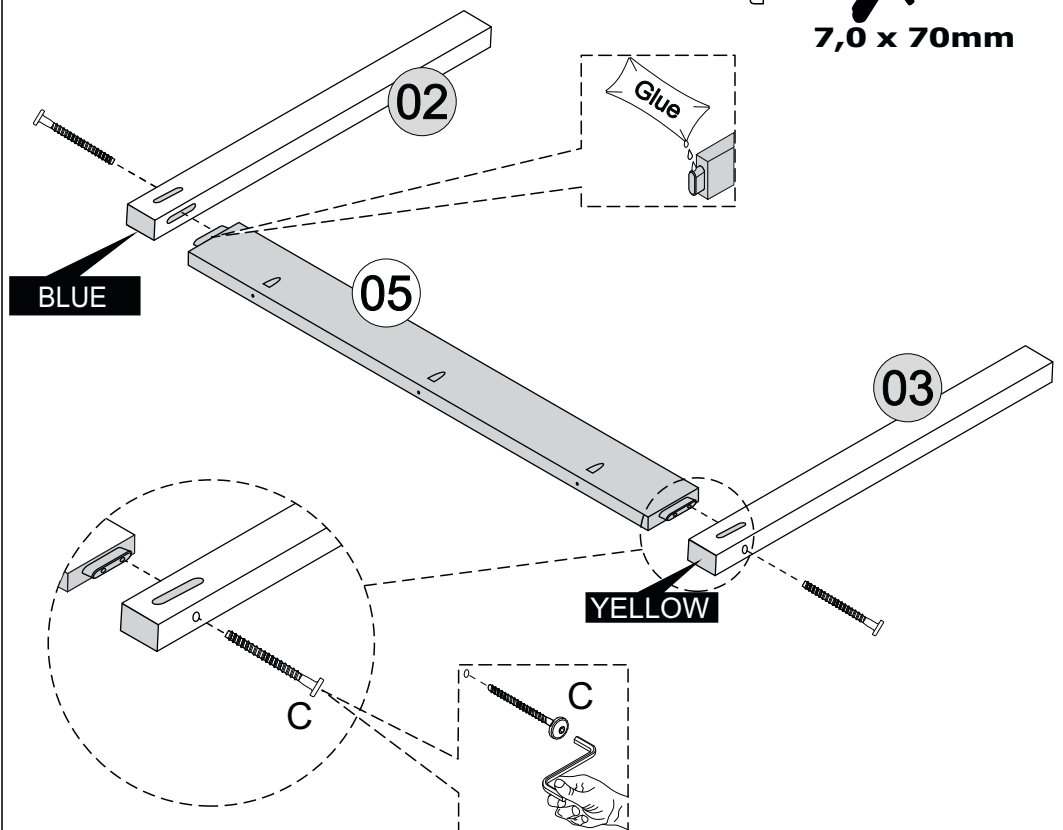
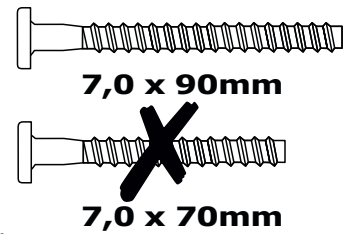
HARDWARE REQUIRED

C		02
E		01

TOOLS REQUIRED



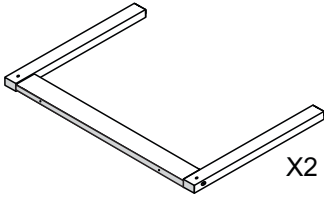
 Glue must be added to Parts 02,03 and 05.



STEP 3

PARTS REQUIRED

04 - SHORT FRAME SIDE x2

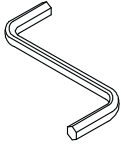



HARDWARE REQUIRED

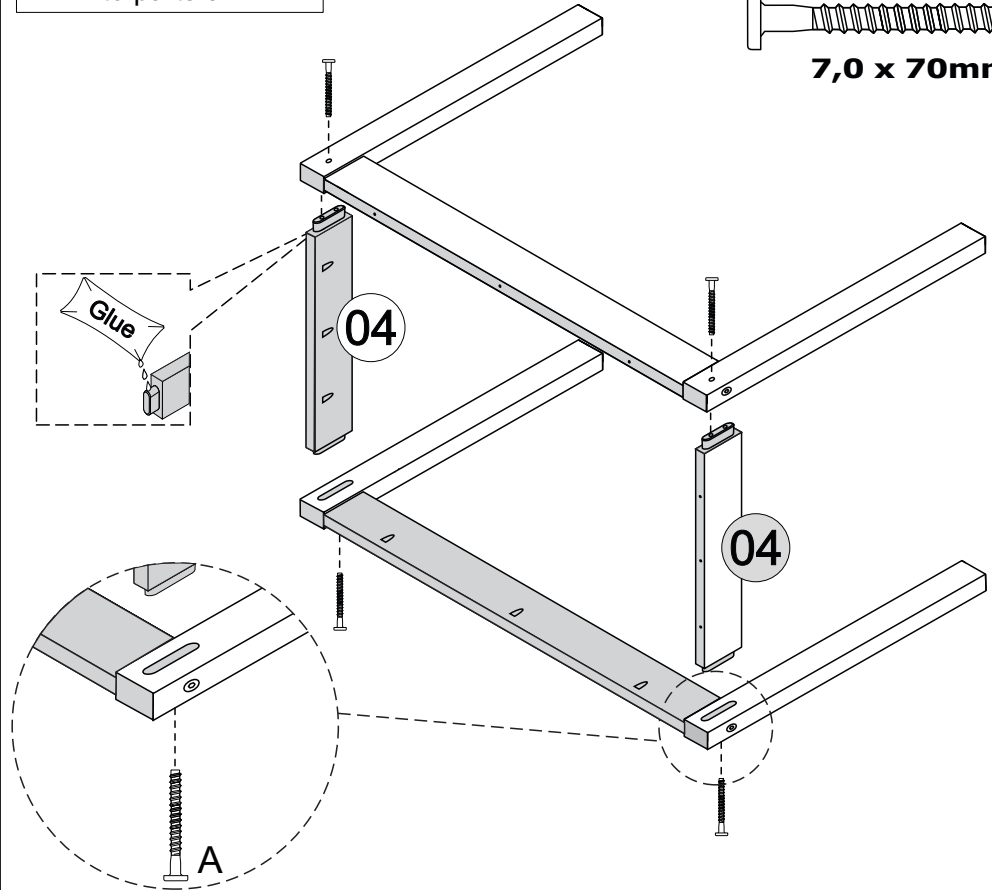
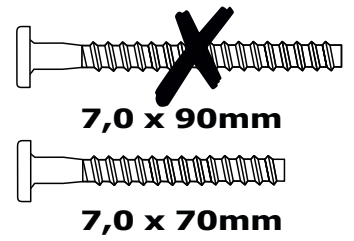
A  04

E  01

TOOLS REQUIRED



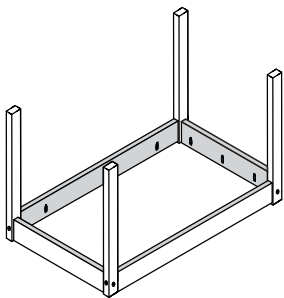
 Glue must be added to parts 04.



STEP 4

PARTS REQUIRED

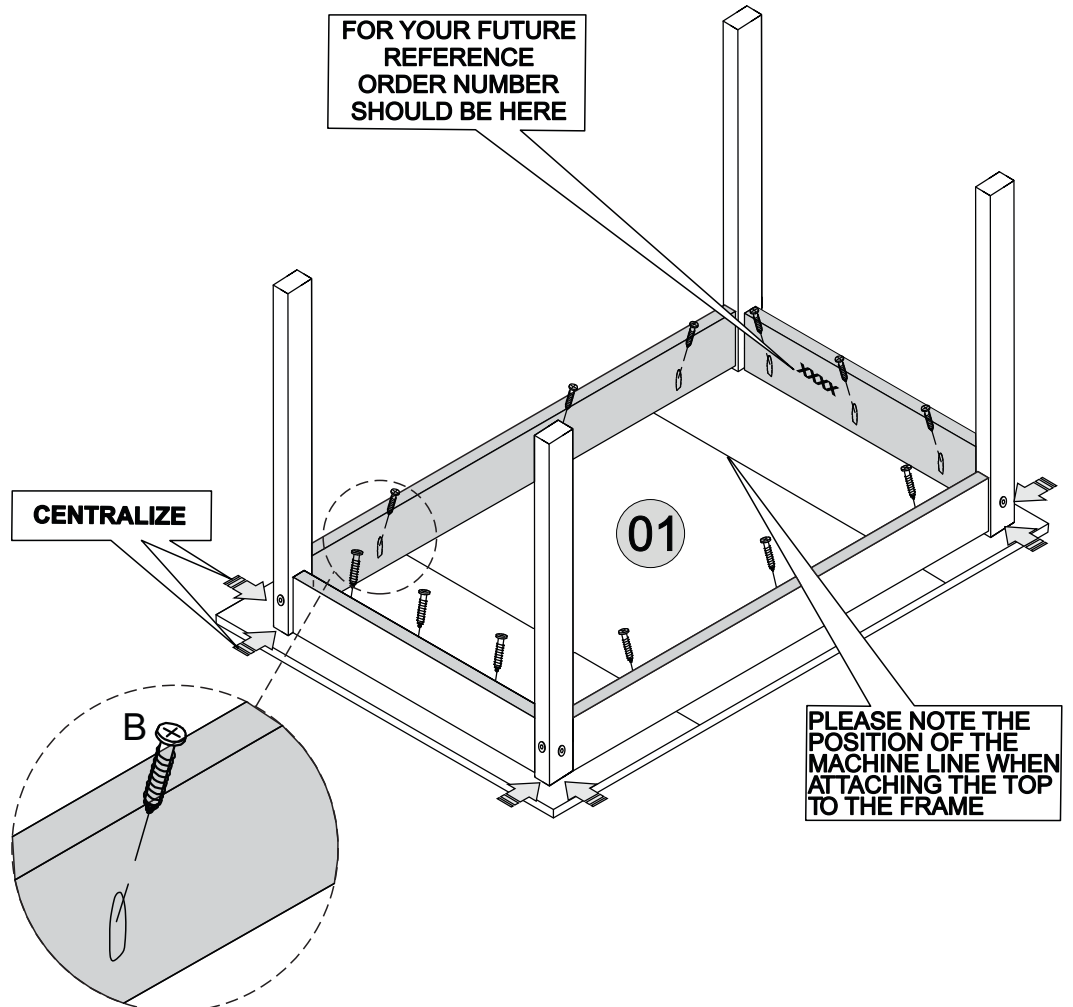
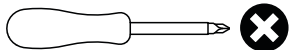
01 - TABLE TOP x1



HARDWARE REQUIRED

B  12

TOOLS REQUIRED

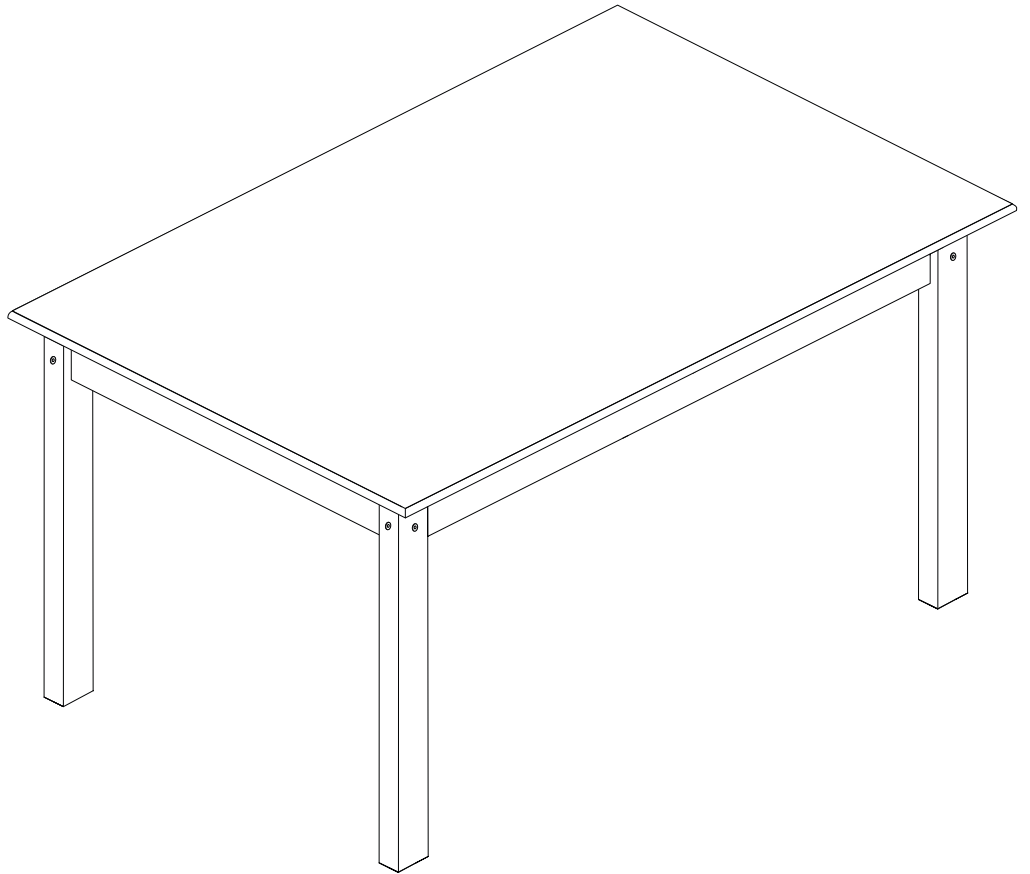


STEP 5

PARTS REQUIRED

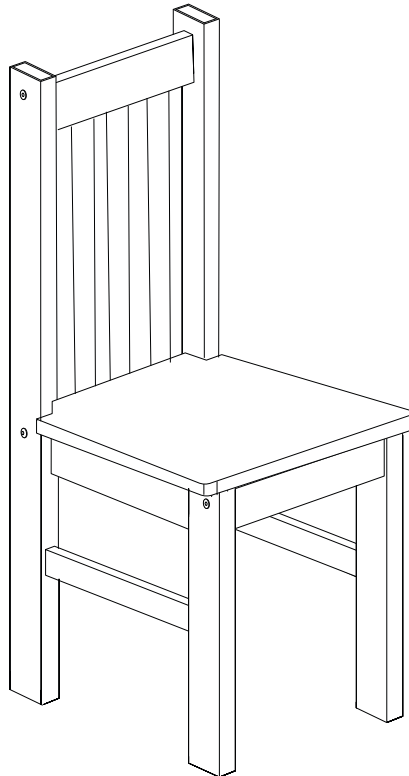
HARDWARE REQUIRED

TOOLS REQUIRED



3457

LUDLOW DINING CHAIR 1+4 ASSEMBLY INSTRUCTIONS



**MAX CHAIR
WEIGHT**

IMPORTANT

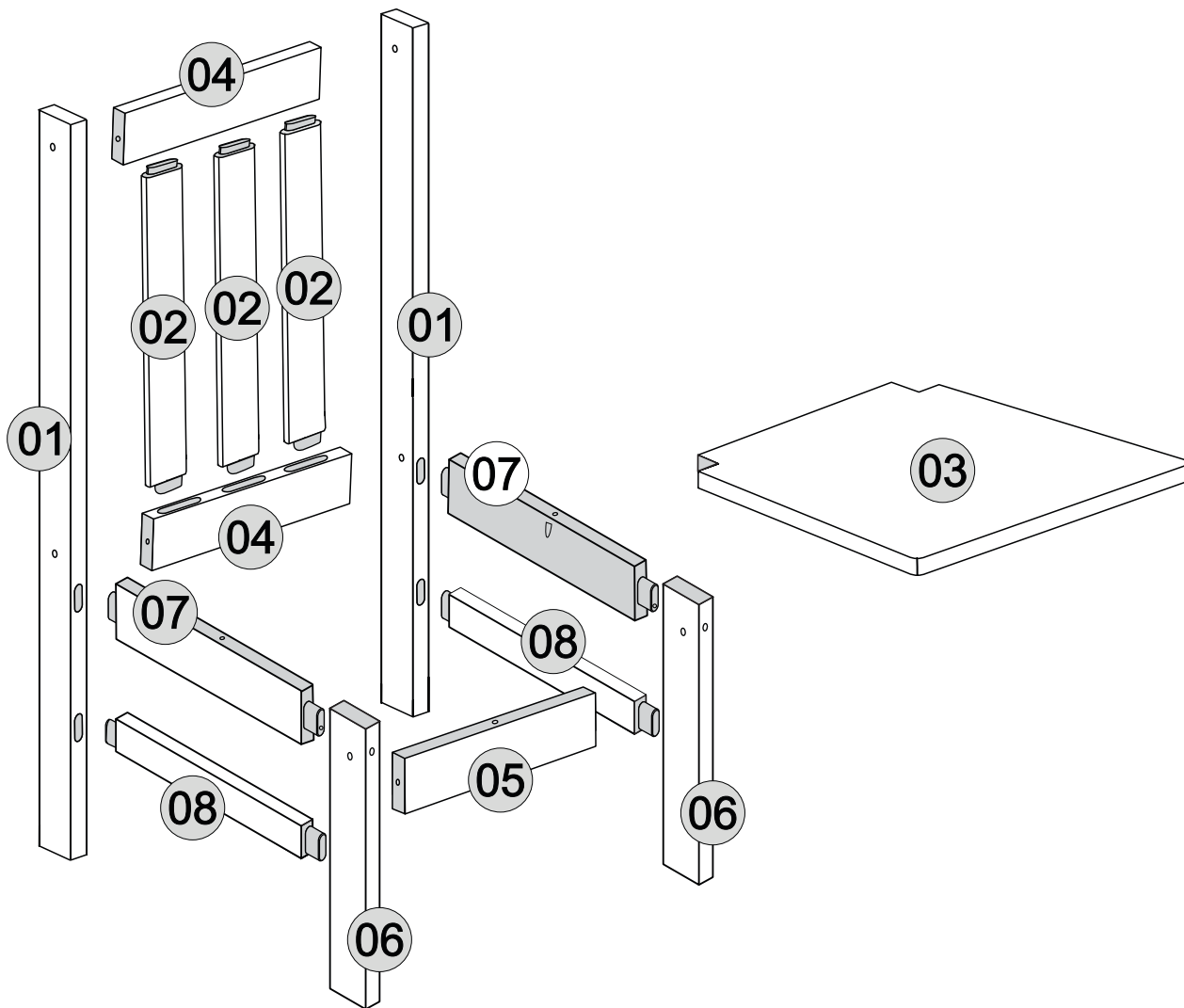
FOR DOMESTIC USE ONLY

PLEASE READ BEFORE YOU CONTINUE FURTHER

CARE AND MAINTENANCE

After unpacking this product please keep the original packaging in case it needs to be returned for any reason.

- Please ensure all fittings and parts are present before commencing with assembly.
- We recommend that you lay a blanket or sheet on the floor to avoid damage to both your floor and the product.
- We strongly recommend that you keep children away from your work area.
- Assemble this product as close to its final position as possible.
- Never drag or push products as this could cause damage to the joints making it inferior.
- Do not place this product next to a radiator or in direct sunlight.
- Wood is a natural product and may expand if subjected to damp and may shrink or crack if subjected to heat. Therefore it is recommended that room temperature is maintained, with no sudden temperature fluctuations.
- Make sure any spillage is wiped off immediately.
- Do not place hot or chilled items directly on to the surface, use a place mat or marking will occur.
- For general cleaning use a duster, and do not use detergents of any kind. However, the surface will need to be retreated from time to time. This can be done by using block wax (unperfumed) and rubbing it over the whole item.
- From time to time it may be necessary to tighten fittings, regular inspections should be carried out.



* Use of power tools to assemble this product will invalidate any claim and damage this product making it unsafe !!!
 * Please assemble on a clean soft surface to avoid damage.


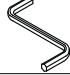


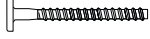


* Please check contents and read the instructions before commencing assembly.
 * Assemble this product following the enclosed instructions carefully.
 * Please take care to avoid damaging panels during assembly.

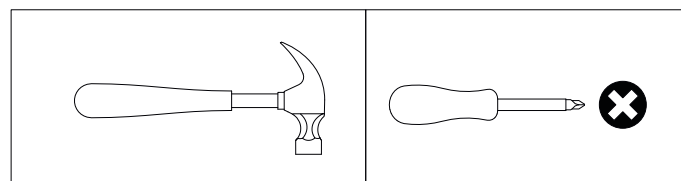
PARTS LIST

Part Number	Part Code	Part Description	Quantity	Carton
01	S400-401-107-DC1-01C	Right/Left Back Chair	2	2/2
02	S400-401-107-DC1-02C	Spindles	3	2/2
03	S400-401-107-DC1-03C	Seat Pad	1	1/2
04	S400-401-107-DC1-04C	Back Rail	2	2/2
05	S400-401-107-DC1-05C	Front Seat Rail	1	2/2
06	S400-401-107-DC1-06C	Front Leg Right/Left	2	2/2
07	S400-401-107-DC1-07C	Side Seat Rail	2	2/2
08	S400-401-107-DC1-08C	Stretcher	2	2/2

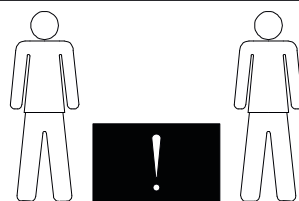
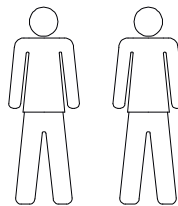
FITTINGS

A	 7 x 70mm CAB 17mm	04	D		01
B	 4 x 35mm	03	E	 GLUE	01
C	 7 x 60mm CAB 17mm	06			

TOOLS REQUIRED



2,5m x 3m



STEP 1

PARTS REQUIRED

01 -RIGHT/LEFT BACK CHAIR x1

06 -FRONT LEG RIGHT/LEFT x1

07 -SIDE SEAT RAIL x1

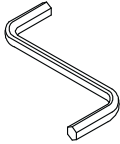
08 -STRETCHER x1

HARDWARE REQUIRED

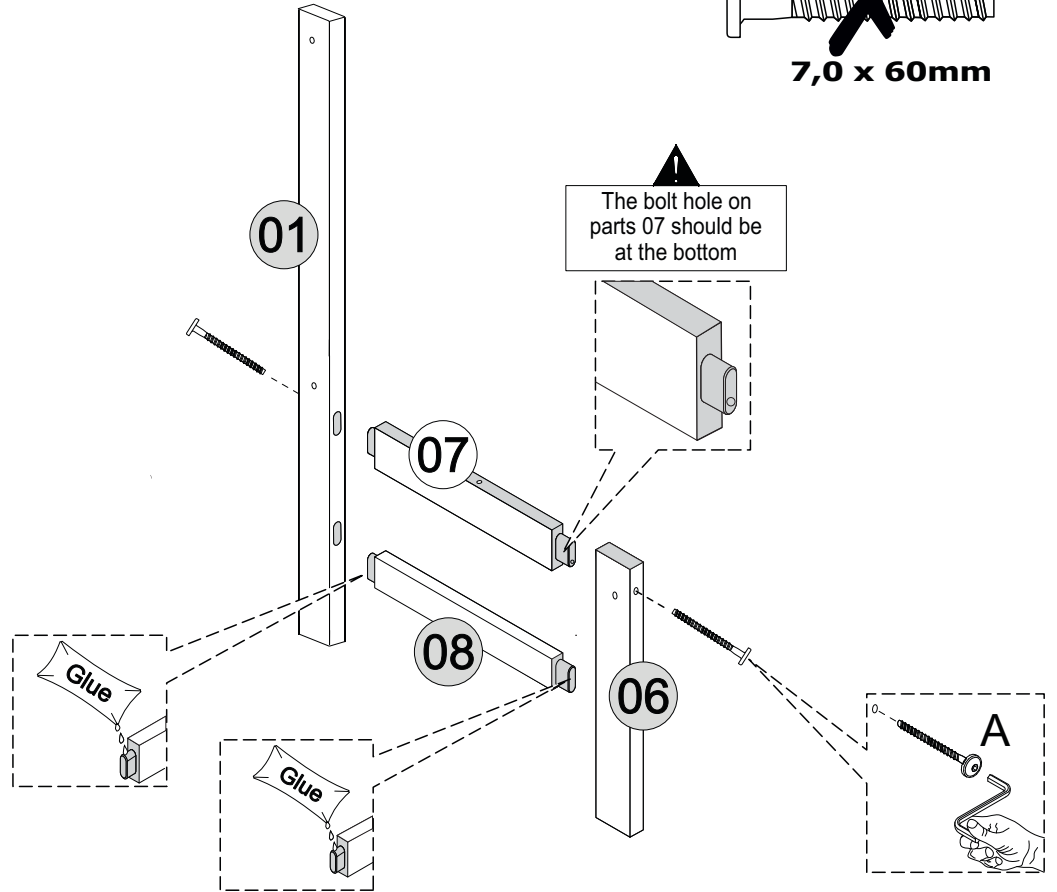
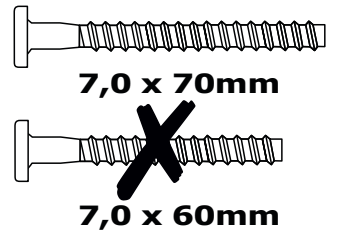
A  02

E  01

TOOLS REQUIRED



!
Glue must be added to Parts 01,06 and 08.



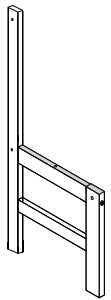
STEP 2

PARTS REQUIRED

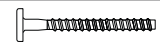
02 -SPINDLES x3

04 -BACK RAIL x2

05 -FRONT SEAT RAIL x1

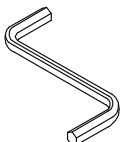


HARDWARE REQUIRED

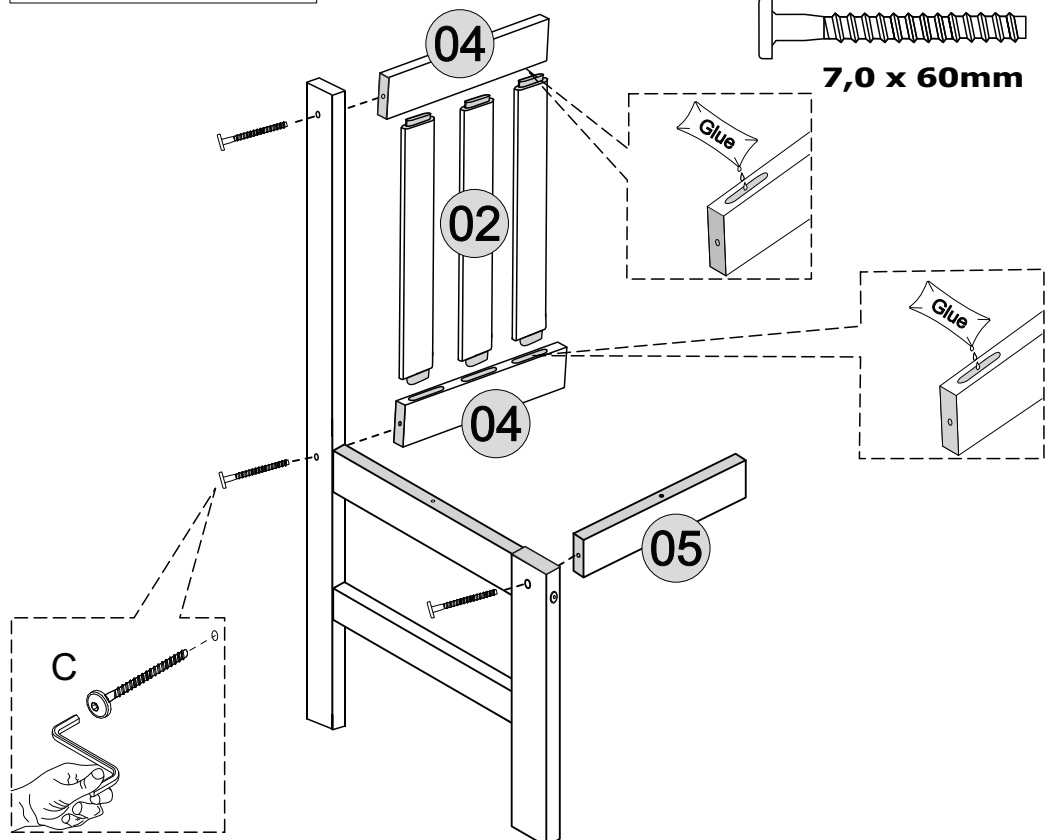
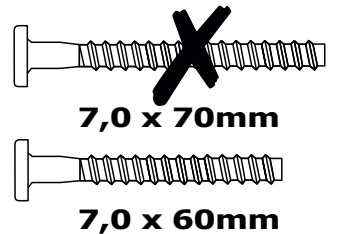
C  03

E  01

TOOLS REQUIRED



!
Glue must be added to Parts 02 and 04.

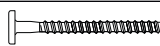



STEP 3

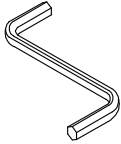
PARTS REQUIRED

01 -RIGHT/LEFT BACK CHAIR	x1
06 -FRONT LEG RIGHT/LEFT	x1
07 -SIDE SEAT RAIL	x1
08 -STRETCHER	x1

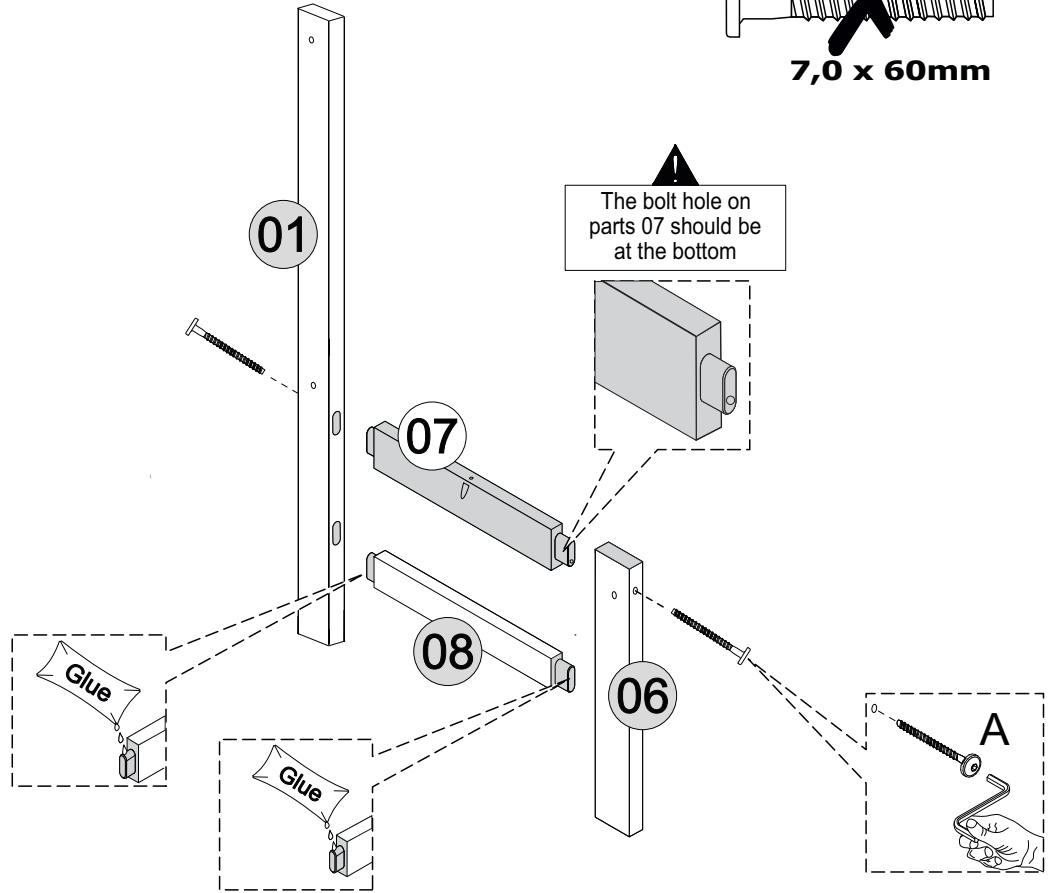
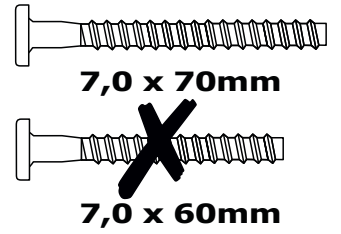
HARDWARE REQUIRED

A		02
E		01

TOOLS REQUIRED

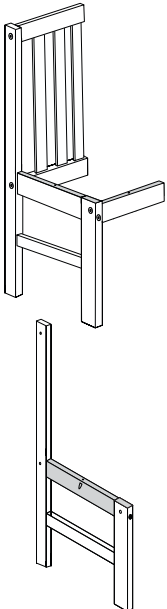


!
Glue must be added to Parts 01,06 and 08.

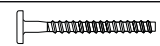


STEP 4

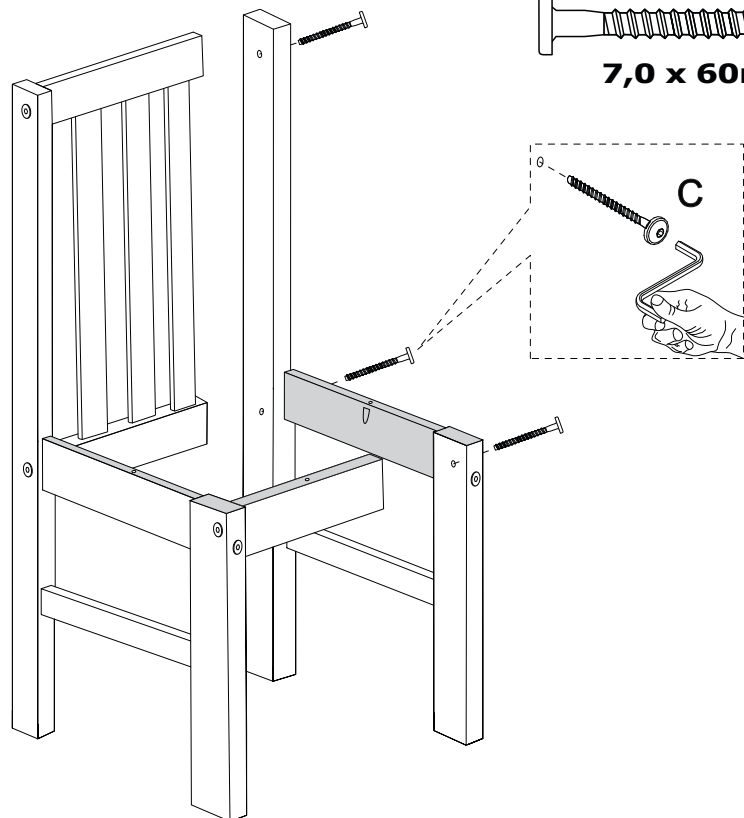
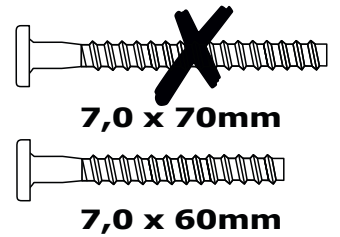
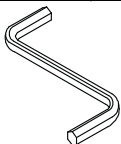
PARTS REQUIRED



HARDWARE REQUIRED

C		03
---	---	----

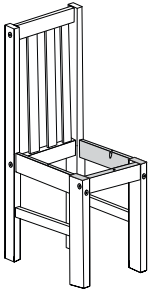
TOOLS REQUIRED




STEP 5

PARTS REQUIRED

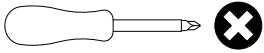
03 - SEAT PAD x1



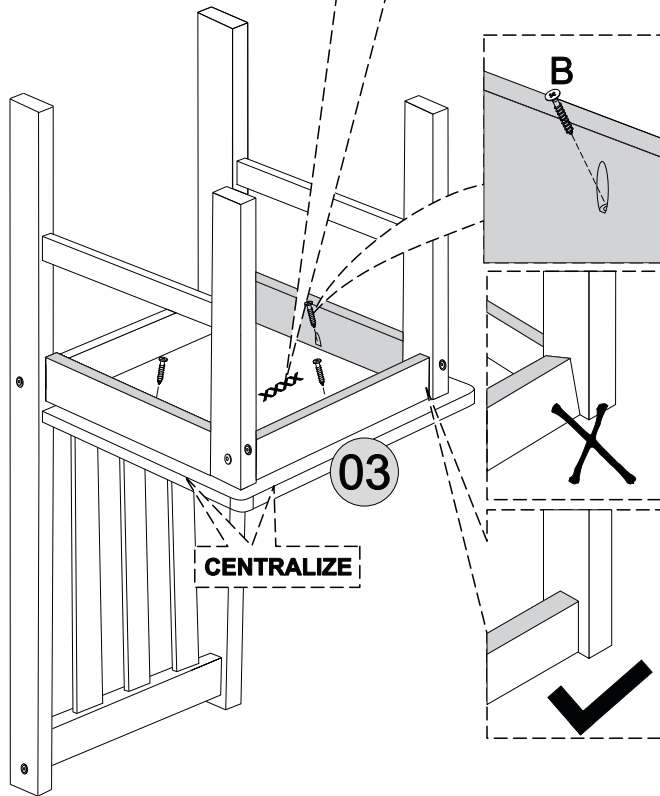
HARDWARE REQUIRED

B  03

TOOLS REQUIRED



FOR YOUR FUTURE REFERENCE ORDER NUMBER SHOULD BE HERE



STEP 6

PARTS REQUIRED

HARDWARE REQUIRED

TOOLS REQUIRED

IMPORTANT NOTICE

Please allow at least 6 hours for the glue to dry before using your new chairs. If you don't follow these instructions it will affect the strength of the chair and might void your warranty.

