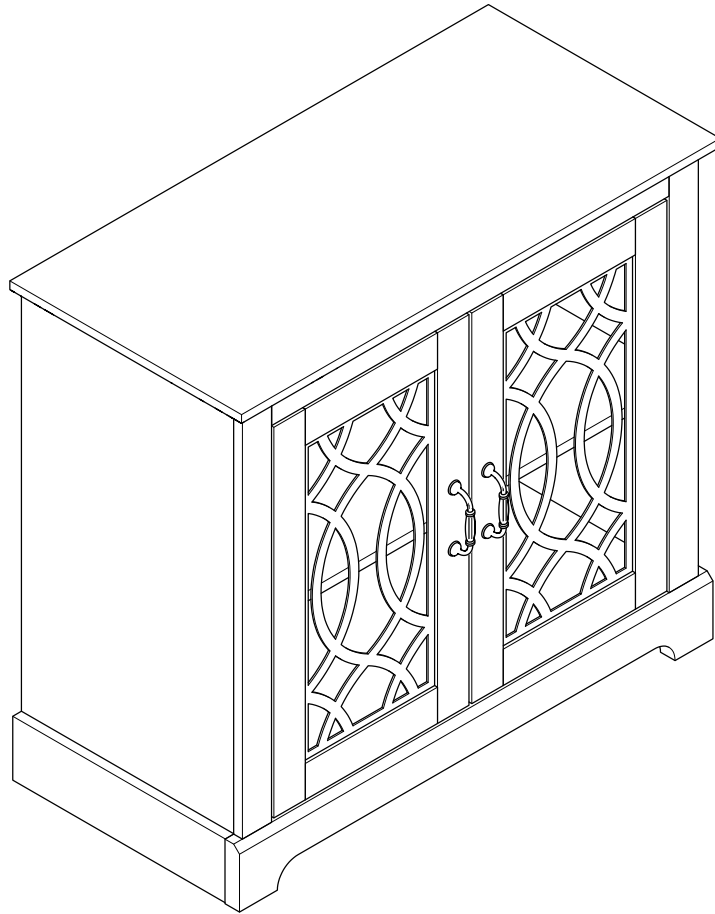


AMELIE 2 DOOR ACCENT CABINET ASSEMBLY INSTRUCTIONS

Thank you for purchasing the *AMELIE 2 DOOR ACCENT CABINET*. Please read the instructions carefully to ensure safe operation of the product.



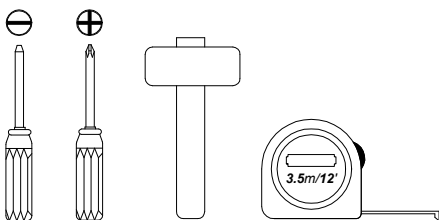
Size: 825x 400 x 750mm

PLEASE READ this sheet prior to assembly to familiarise yourself with the various stages of construction.

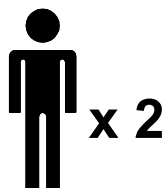
Carefully open the pack supplied and check the contents against the parts and fittings check list. Do not destroy any of the packaging until you are certain that you have all the necessary parts for the assembly.

CAUTION: There are small components used in the construction of this unit. These loose items should be kept away from young children whilst assembling your unit to avoid the danger of choking hazards.

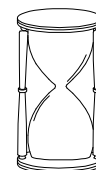
Tools Required



Person Required



Approximate Assembly Time



1 Hour

IMPORTANT - READ CAREFULLY - RETAIN THESE INSTRUCTIONS FOR FUTURE REFERENCE.

INFORMATION

- Due to the size of this product we recommend that it is assembled in the room intended for use.
- When you are ready to start, make sure that you have the right tools, plenty of space and a clean, dry area for assembly.
- Unwrap all packaging materials and place the components on top of the carton box or on a clean floor to prevent it from scratching.
- Check the pack and make sure you have all the parts listed.
- Ensure that this product is fully assembled as illustrated before use.
- Check all screws or bolts are tightened and inspect regularly
- This product should only be used on firm, level ground.
- Keep small parts out of reach of children.
- Make sure the legs remain in contact with the ground.
- Tools not included.

WARNINGS

- DO NOT use power tools to construct this product.
- DO NOT over tighten screws or bolts.
- DO NOT use this product if parts are missing, damaged or worn.
- DO NOT sit or stand on the product.
- It is essential that this unit is fixed to the wall with the brackets provided for safety reasons. NB wall fixings are not included. Please source suitable fixings for your wall type. If in doubt please consult a qualified tradesperson.
- WARNING : Always ensure the area to be drilled is free from hidden electrical wires, water or gas pipes.

CARE INFORMATION

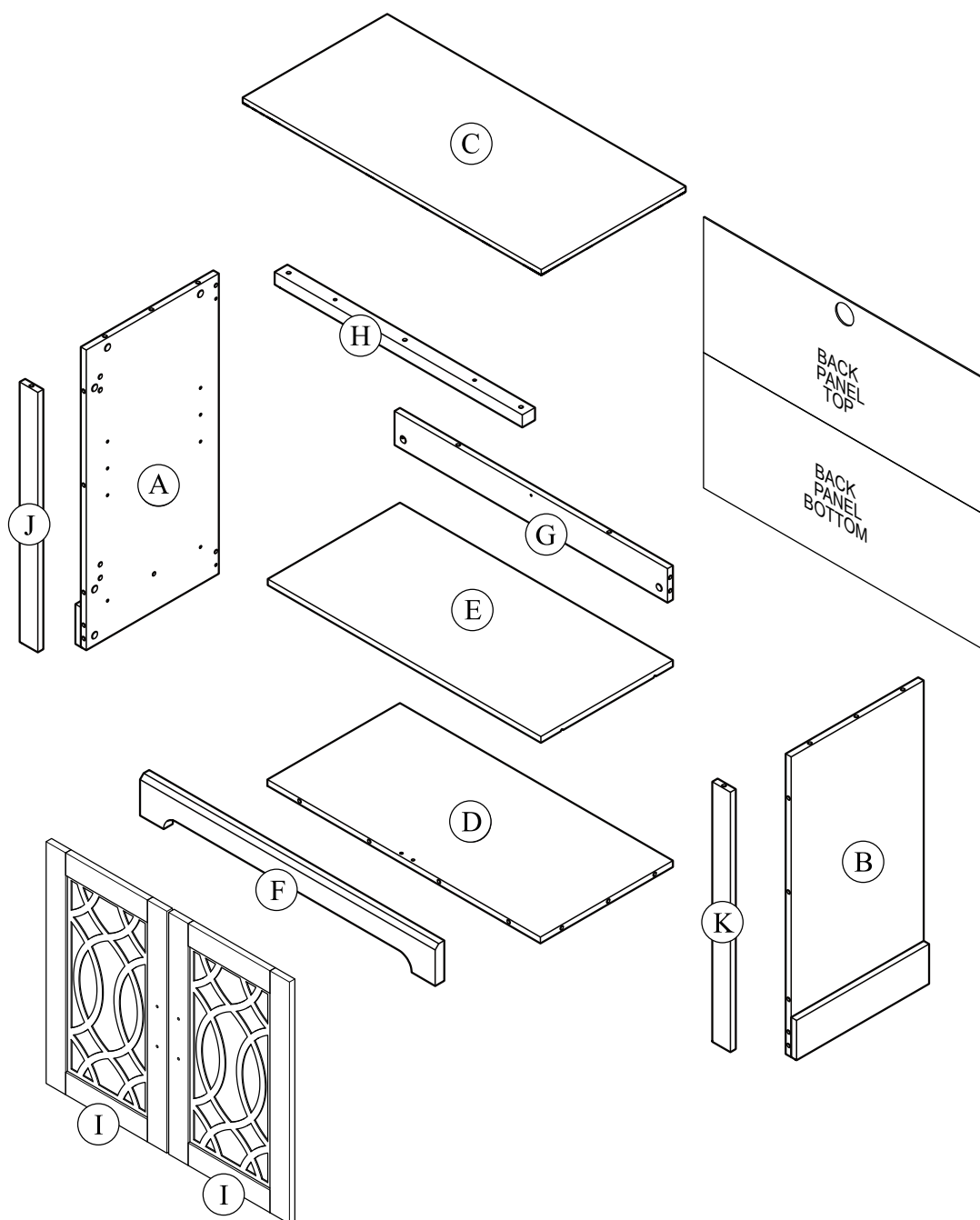
- Never use scourers, abrasives or chemical cleaners.
- To clean wipe with a sponge and warm soapy water. Do not use solvent based cleaners or detergents as they can bleach or damage the product.

Please check the pack contents before assembling the product. If any components are missing, please contact your retailer. The fittings pack contains small items that should be kept away from small children.

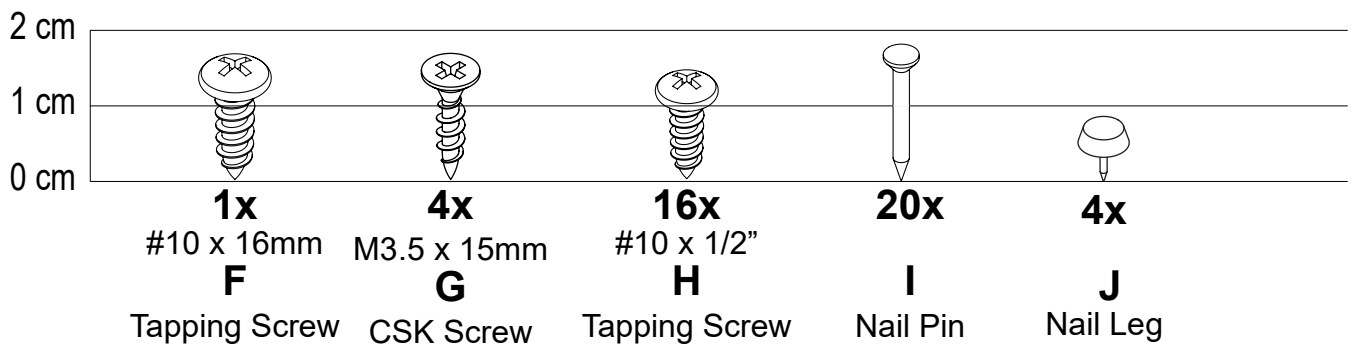
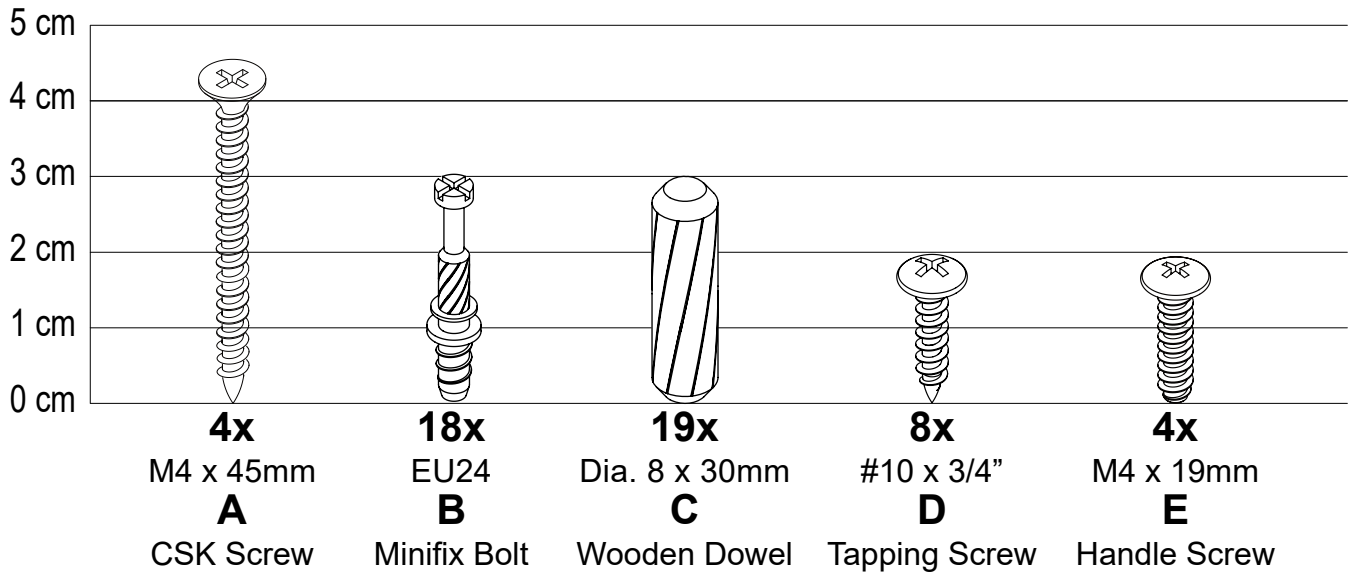
Parts

CODE	PART NAME	QTY	DIMENSION
A	Side Panel - L	1	14 x 365 x 715mm
B	Side Panel - R	1	14 x 365 x 715mm
C	Top Panel	1	28 x 398 x 822mm
D	Bottom Panel	1	14 x 365 x 752mm
E	Adjustable Shelf	1	14 x 362 x 752mm
F	Centre Support	1	25 x 96 x 811mm
G	Back Leg	1	14 x 79 x 752mm

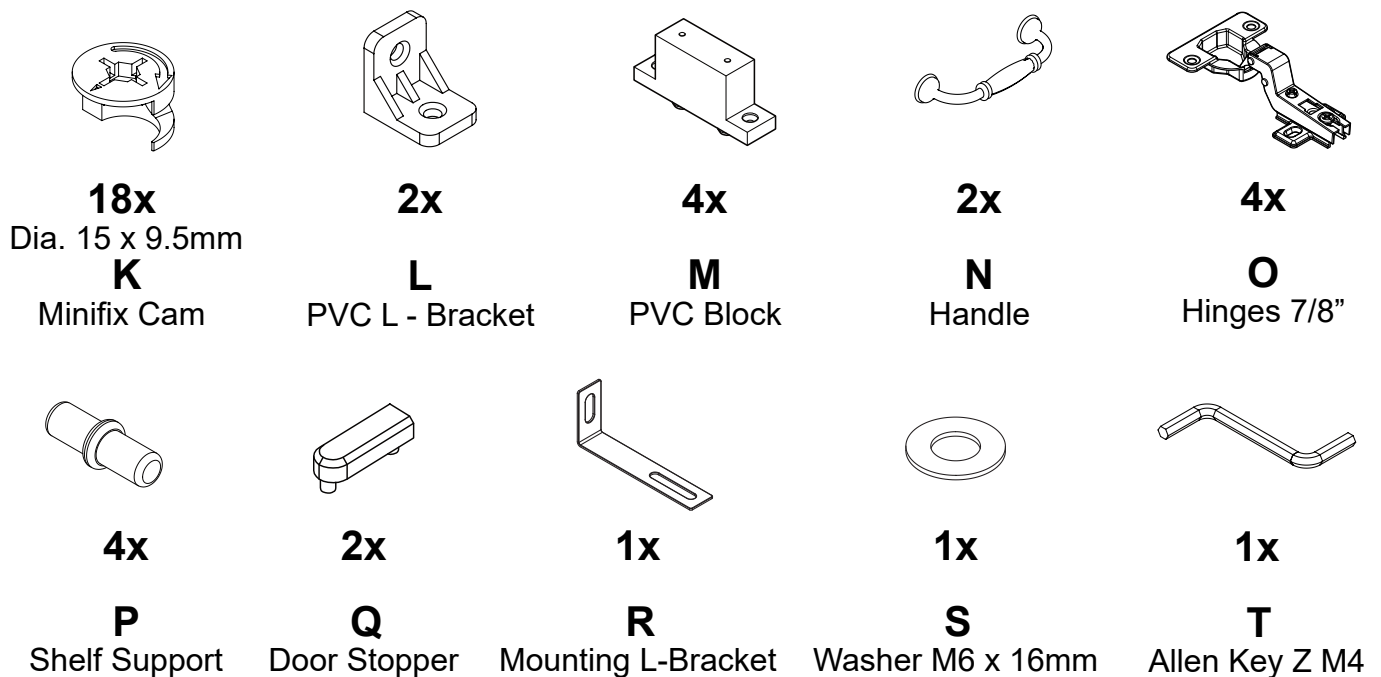
CODE	PART NAME	QTY	DIMENSION
H	Top Support	1	28 x 35 x 682mm
I	Door Panel	2	14 x 335 x 581mm
J	Side Profile - L	1	14 x 50 x 620mm
K	Side Profile - R	1	14 x 50 x 620mm
	Back Panel Top	1	3 x 396 x 778mm
	Back Panel Bottom	1	3 x 250 x 778mm

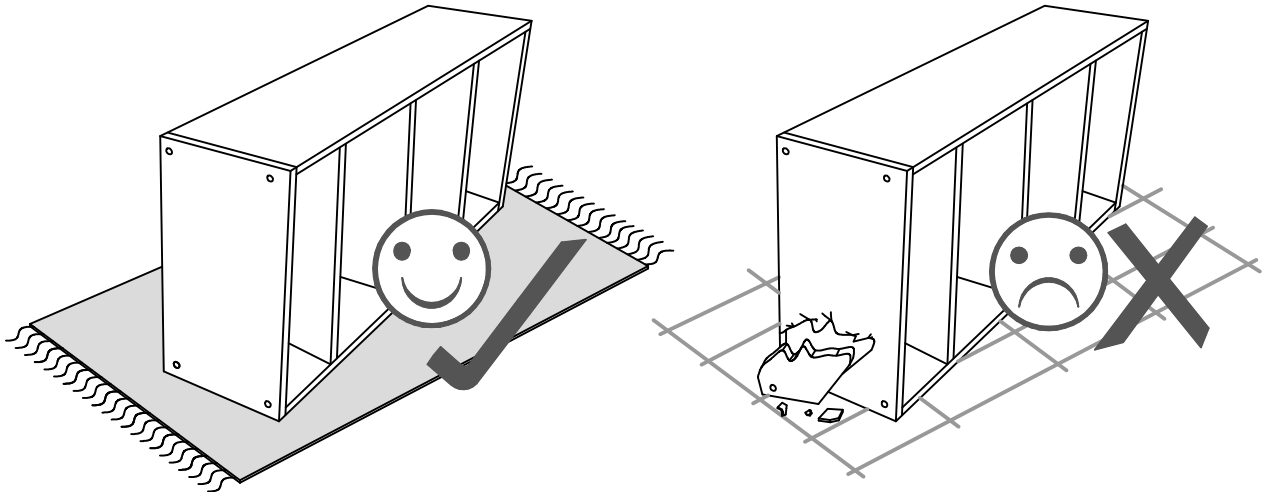


Fixings (to scale)

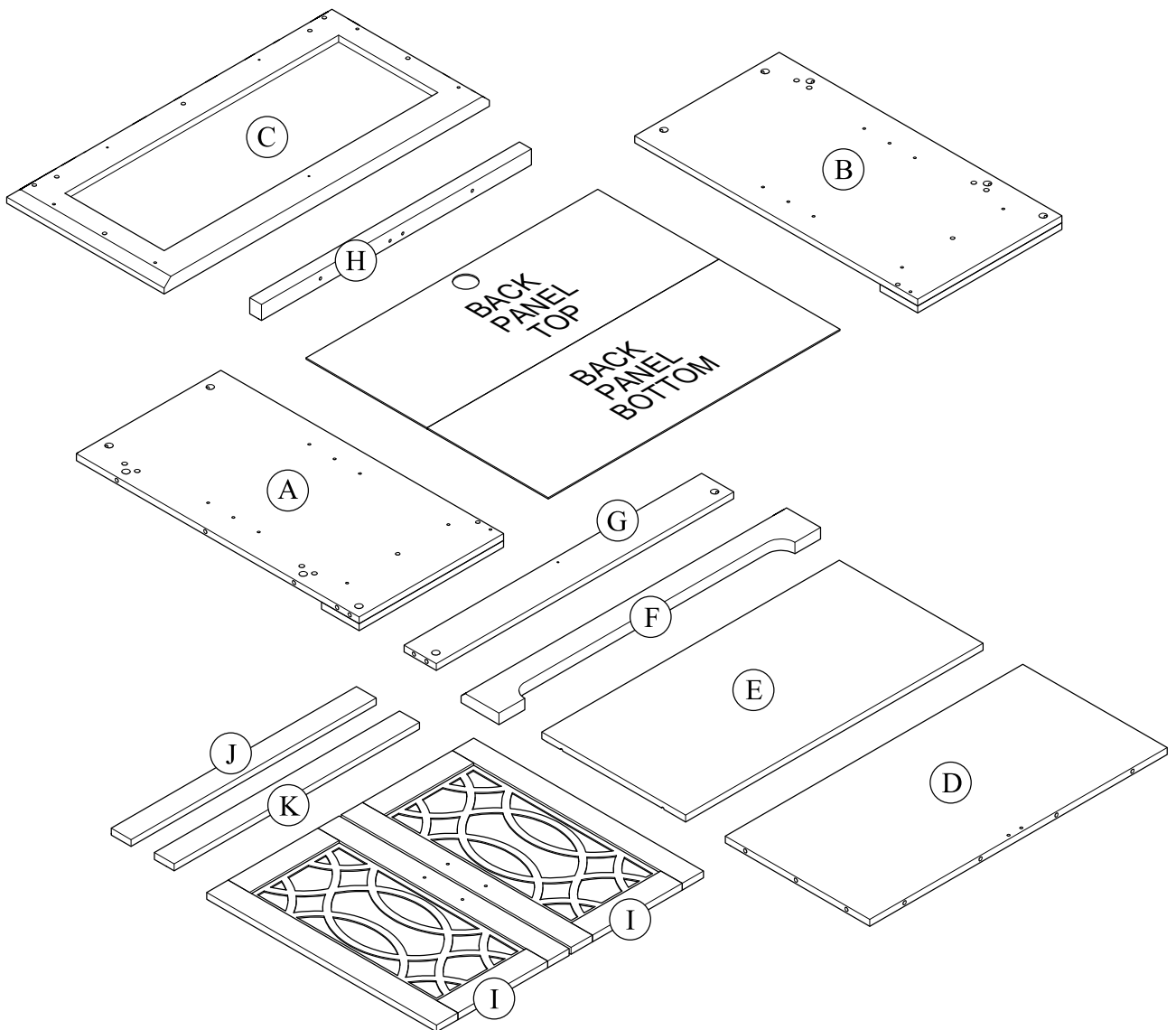


Fixings (not to scale)

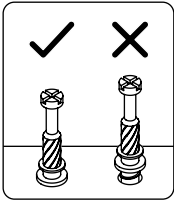
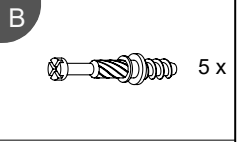
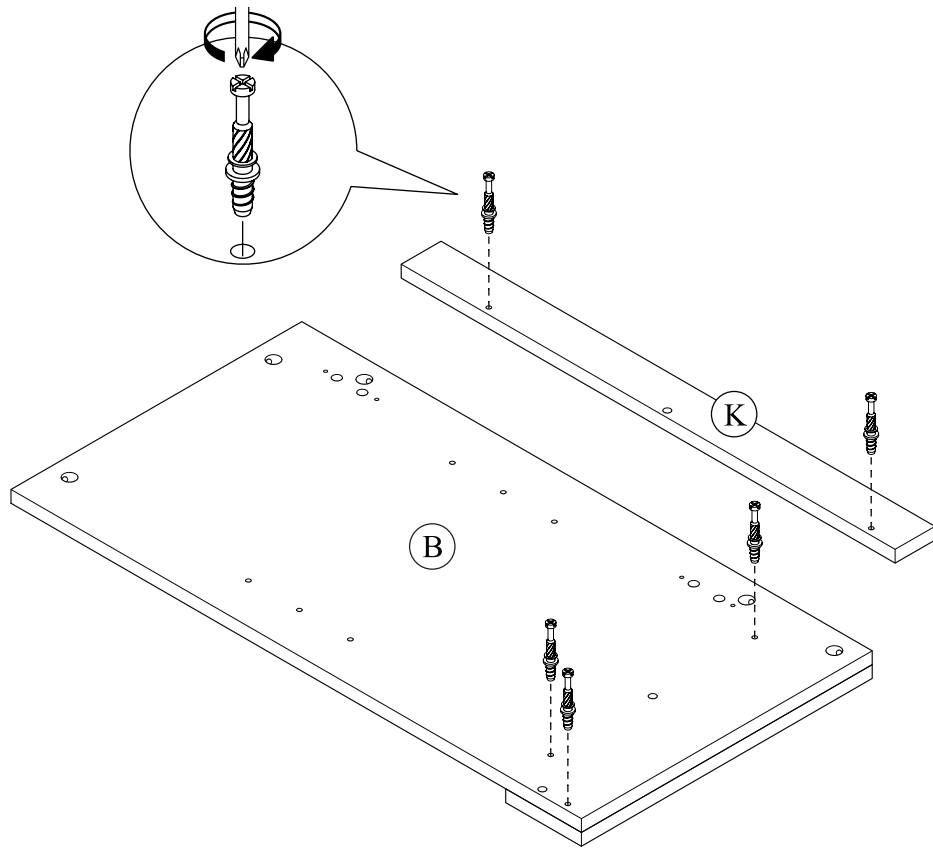




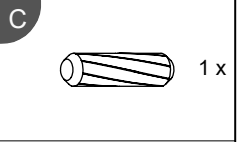
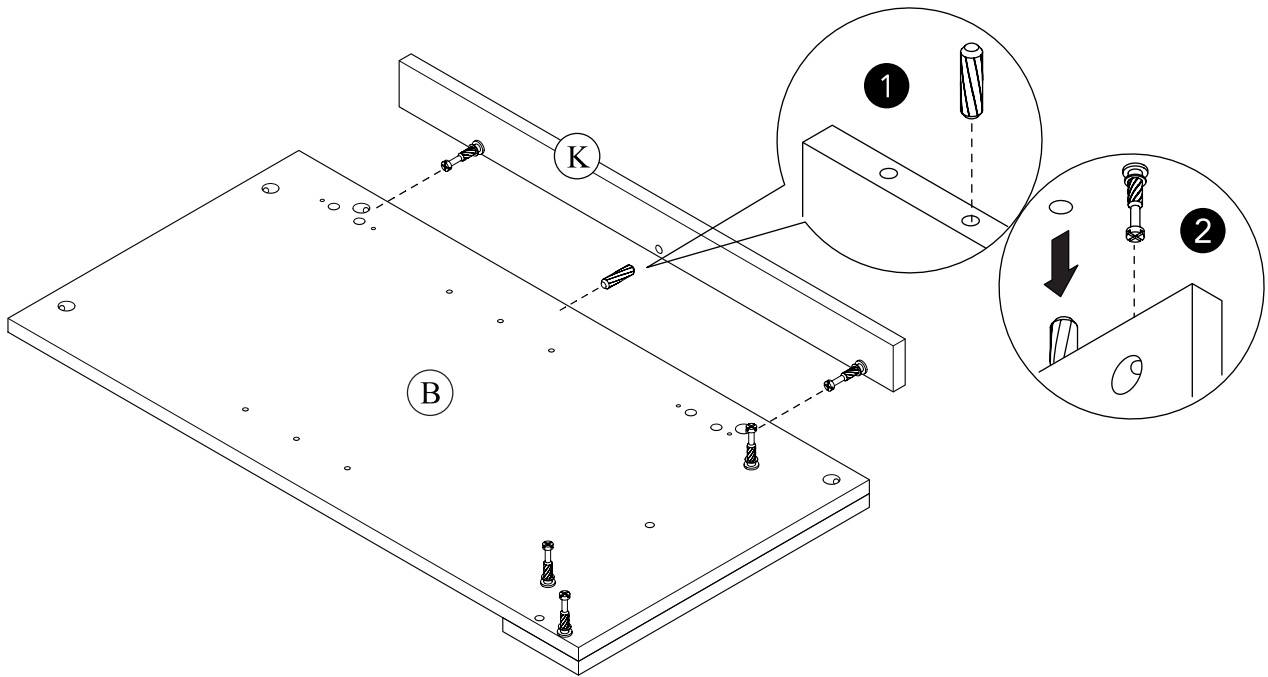
Layout Parts on Soft Surface



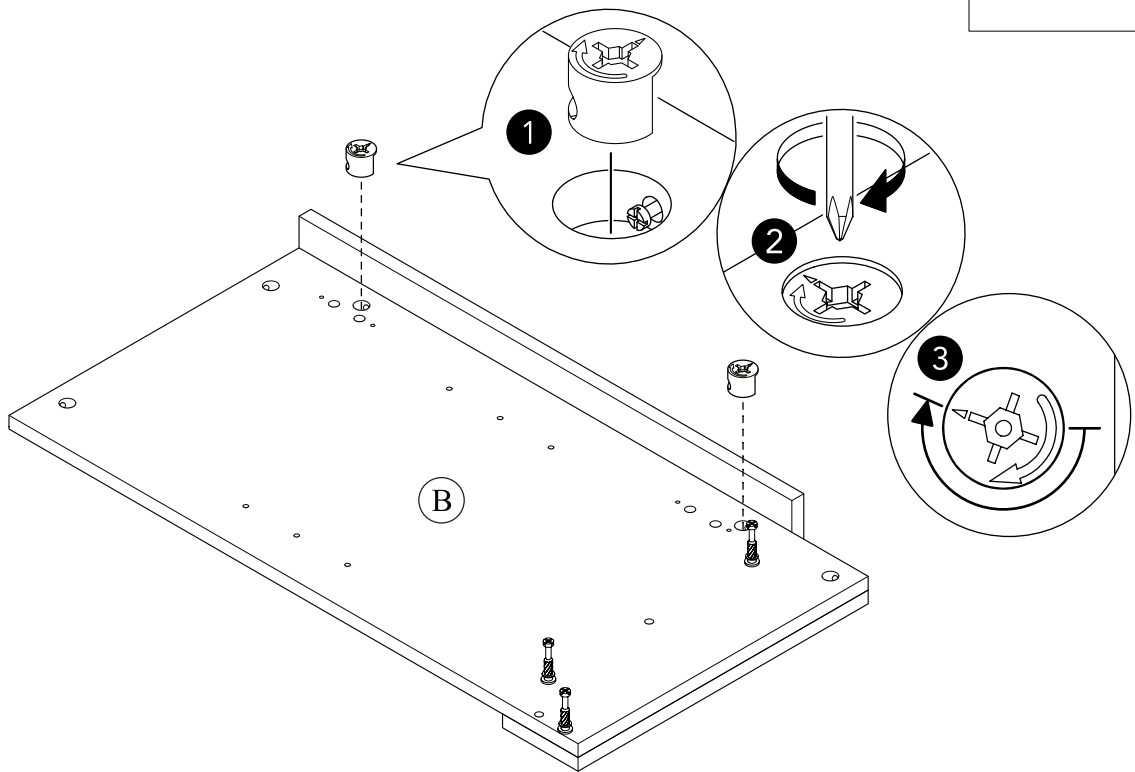
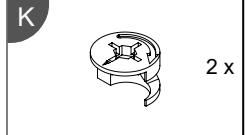
STEP 1



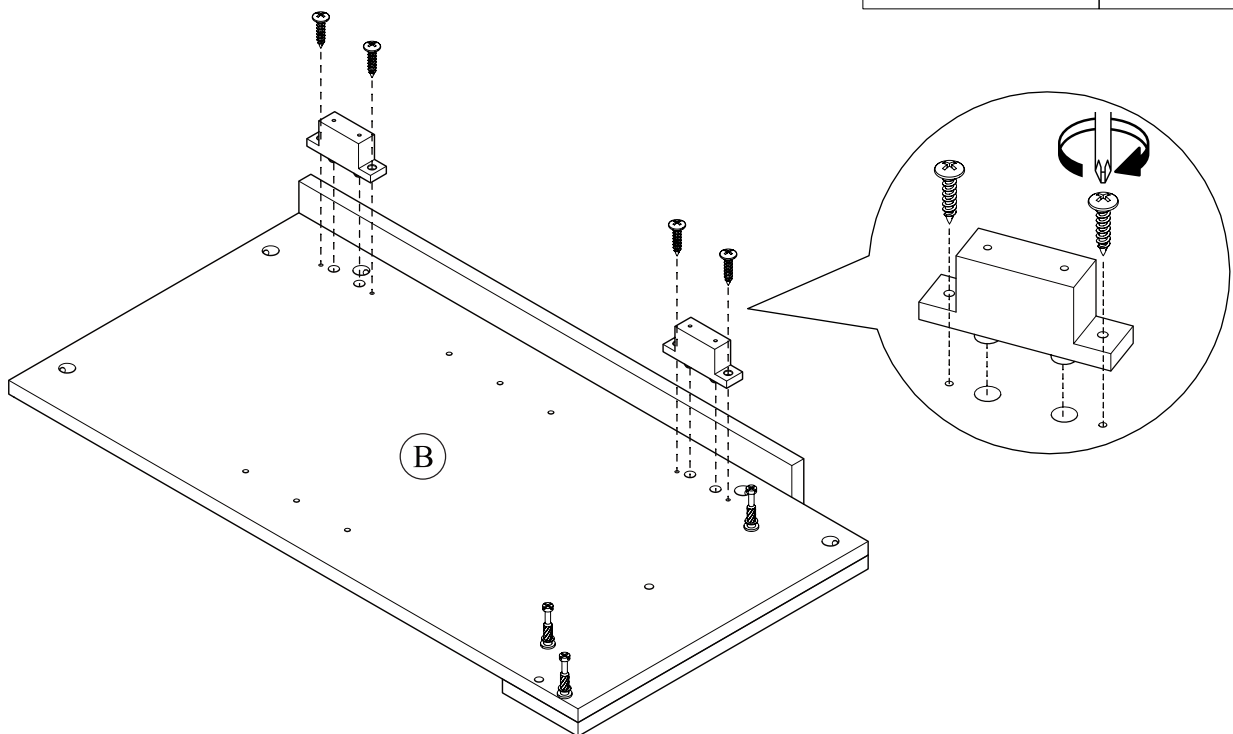
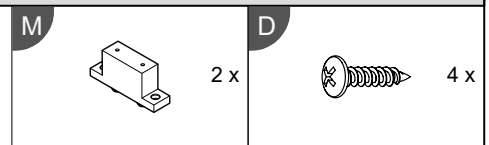
STEP 2




STEP 3

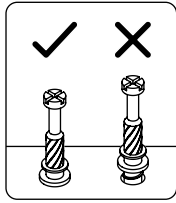
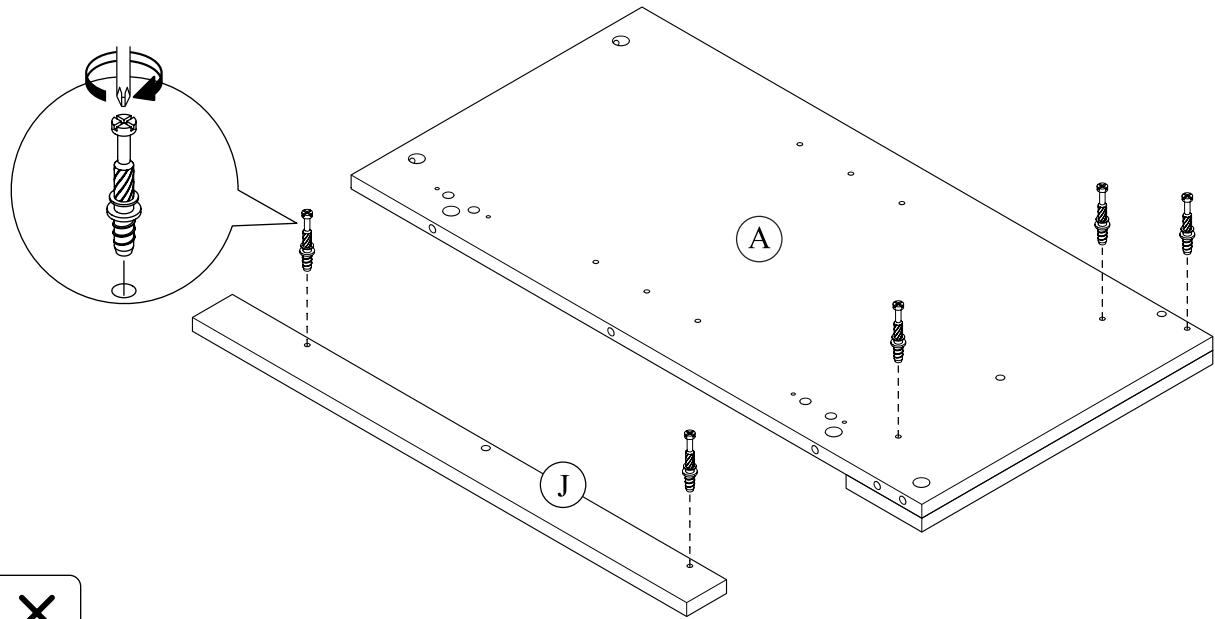


STEP 4

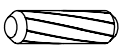


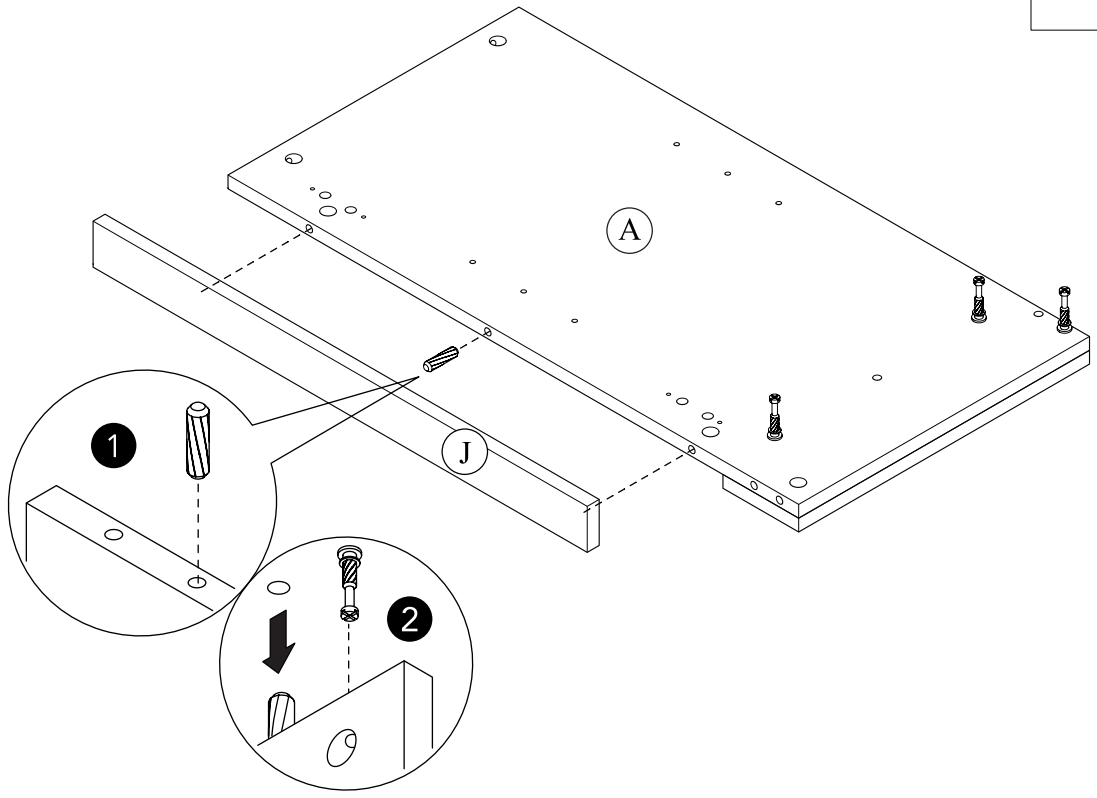
STEP 5

B
 5 x



STEP 6

C
 1 x

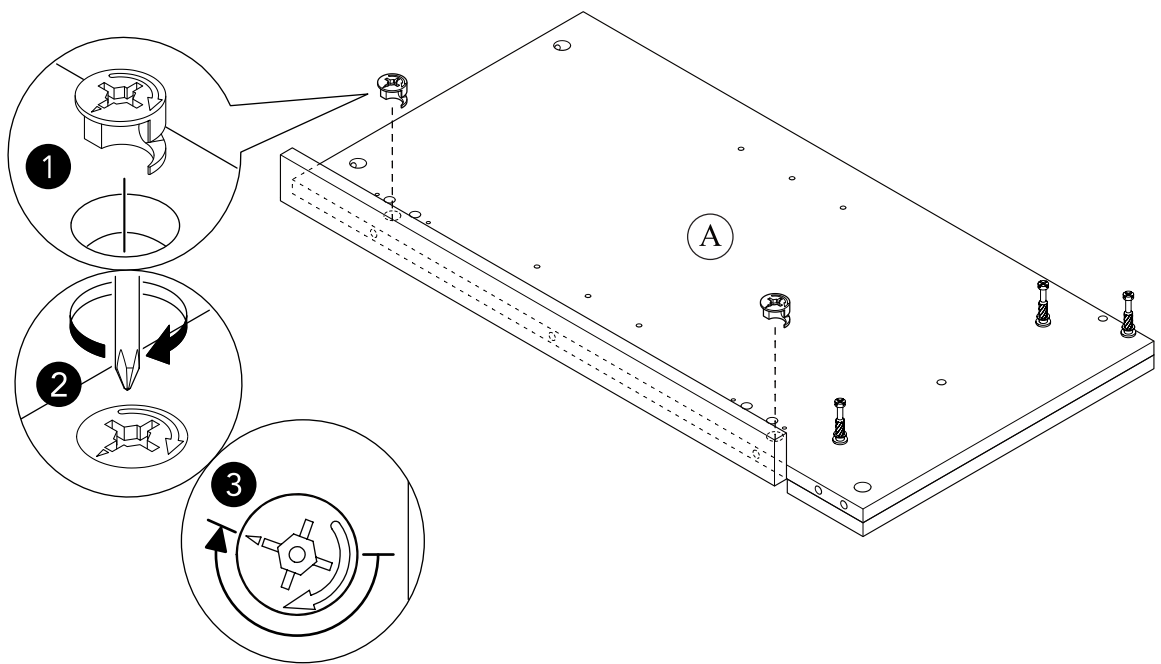


STEP 7

K



2 x



STEP 8

M

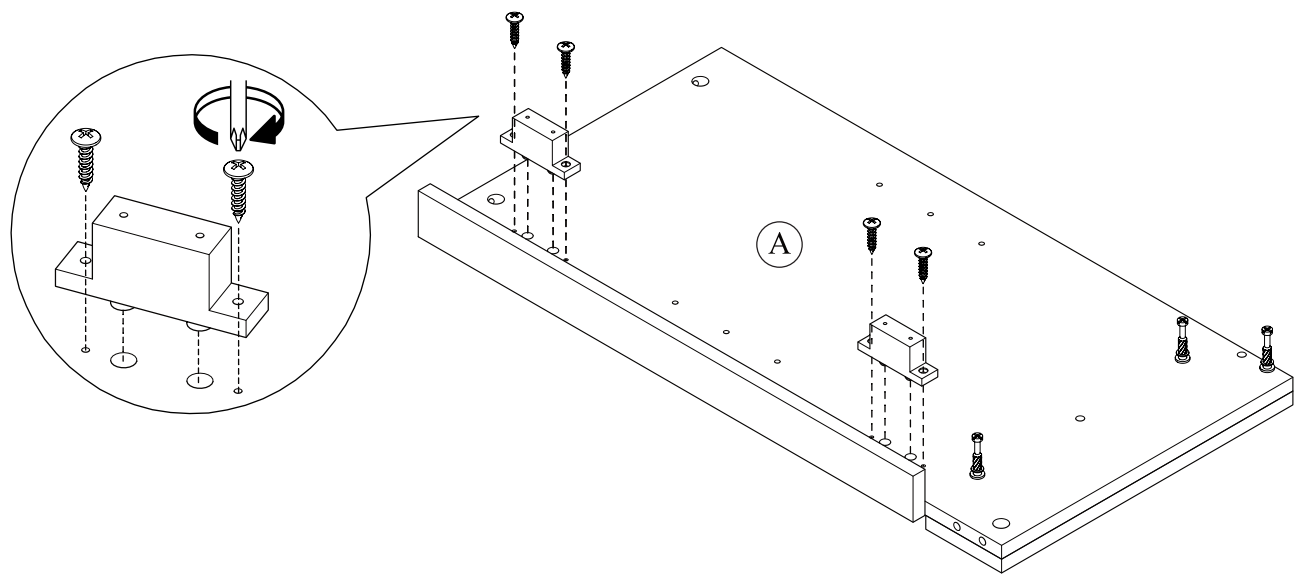


2 x



D

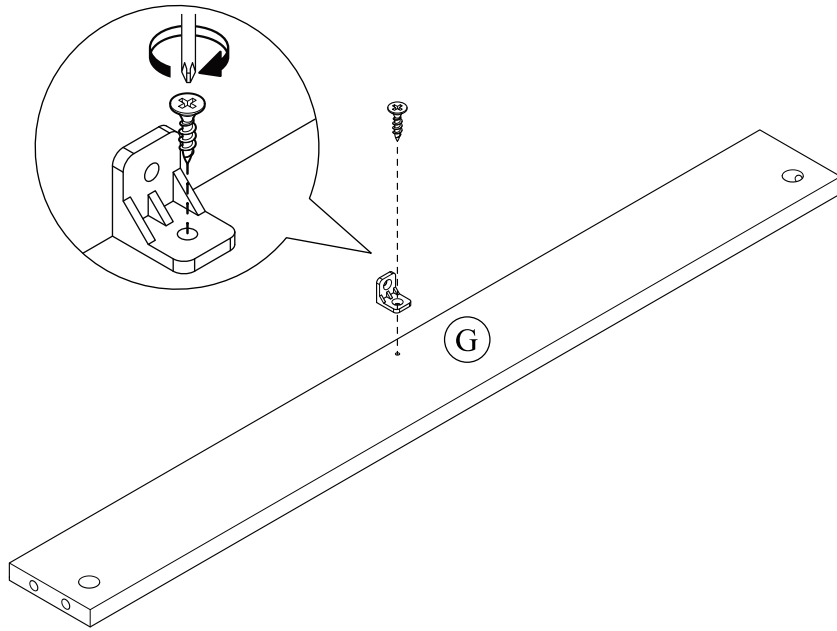


4 x


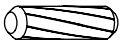


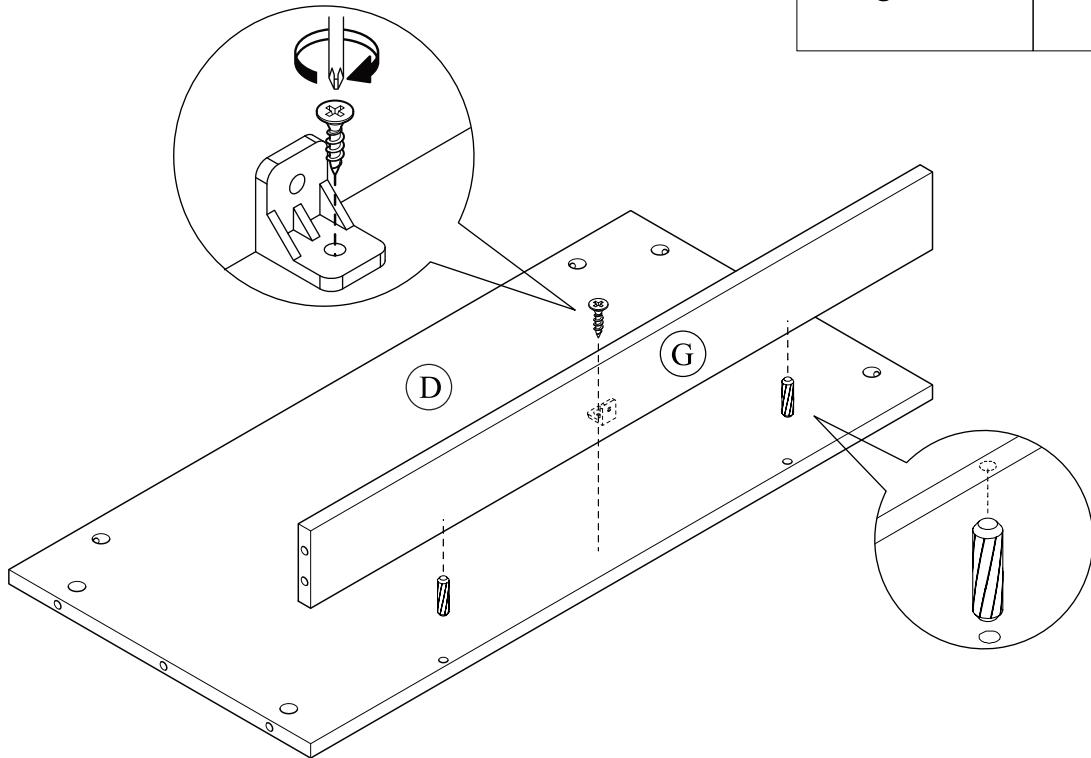
STEP 9

G		1 x	L		1 x
----------	---	-----	----------	---	-----

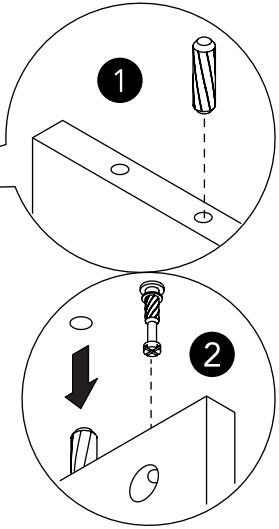
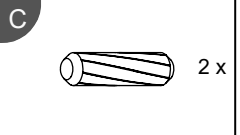
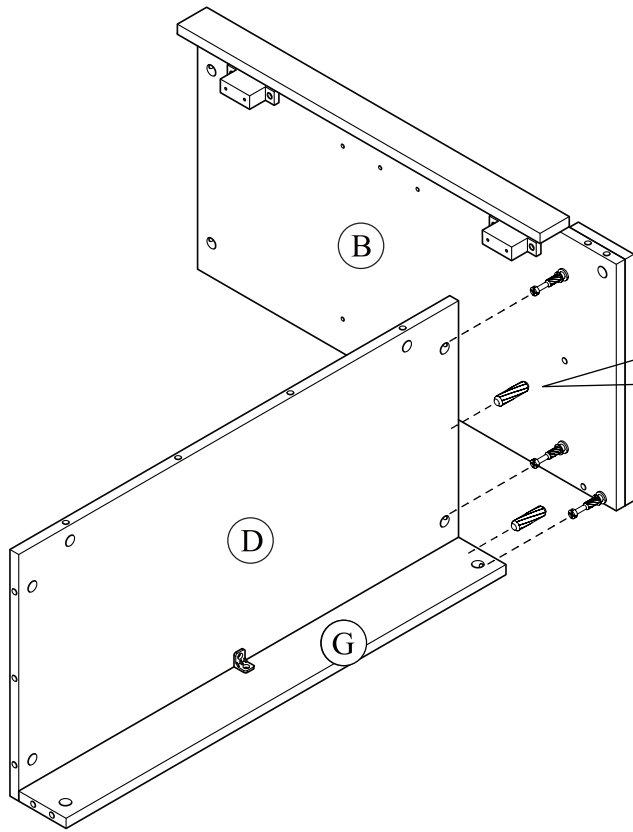


STEP 10

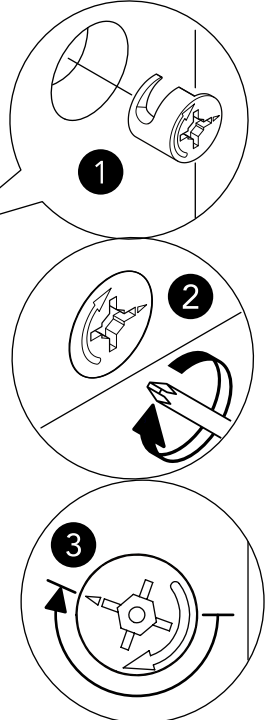
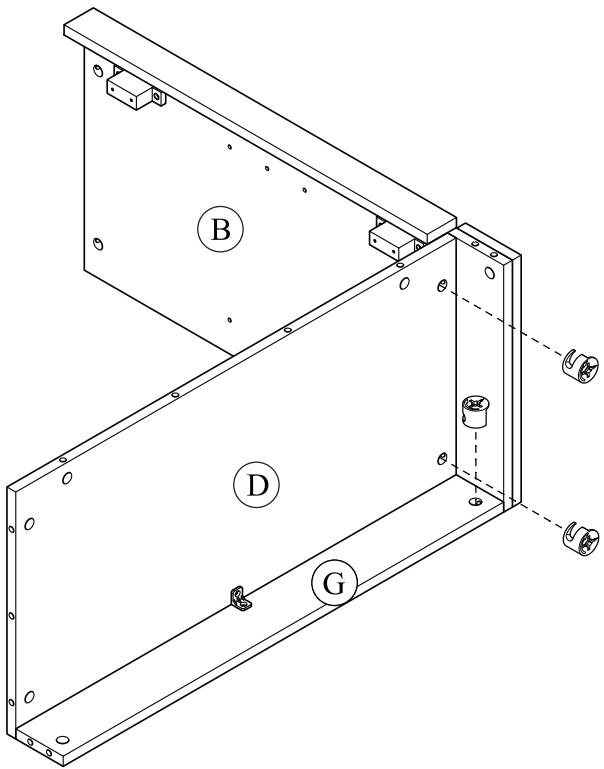
G		1 x	C		2 x
----------	---	-----	----------	---	-----



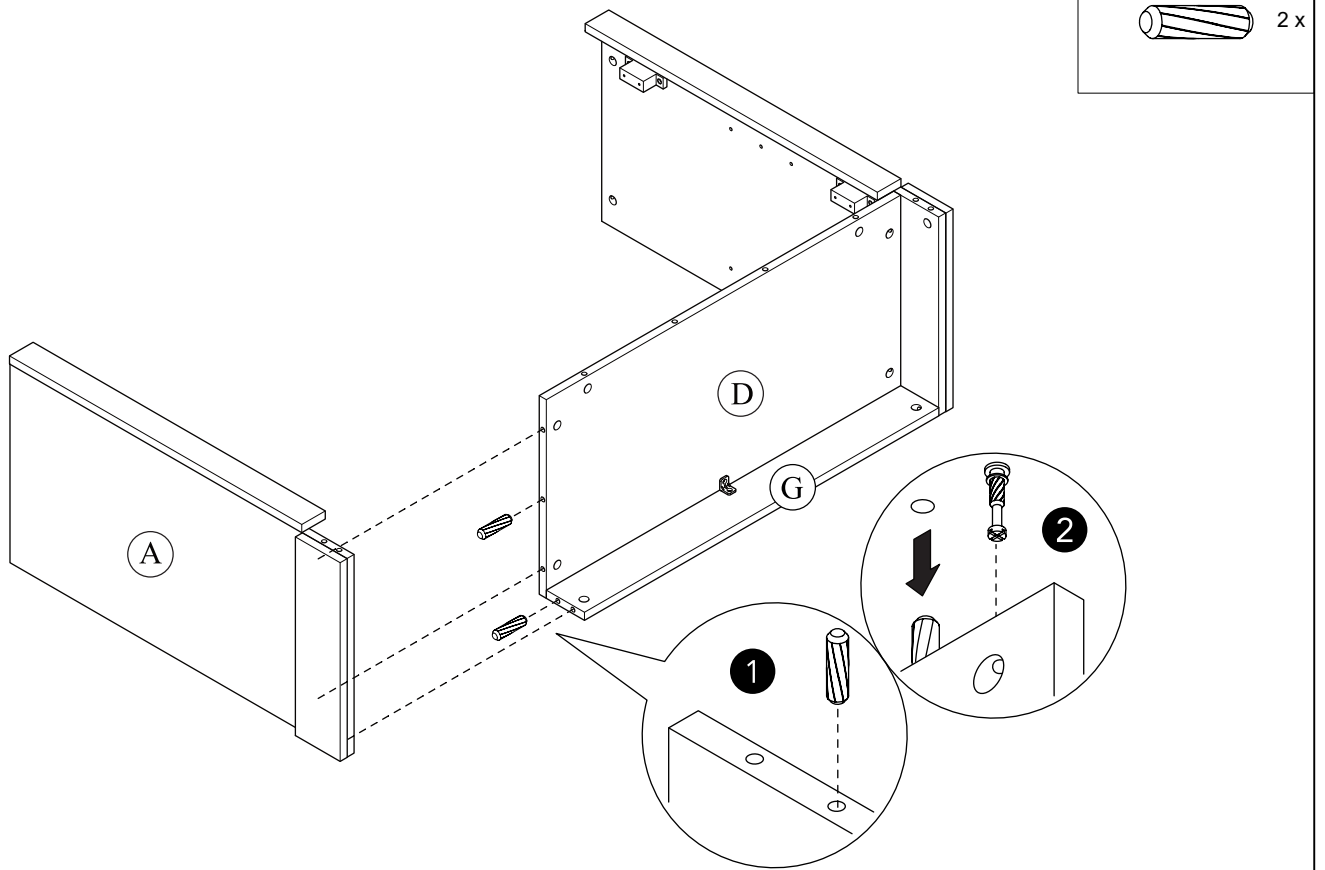
STEP 11



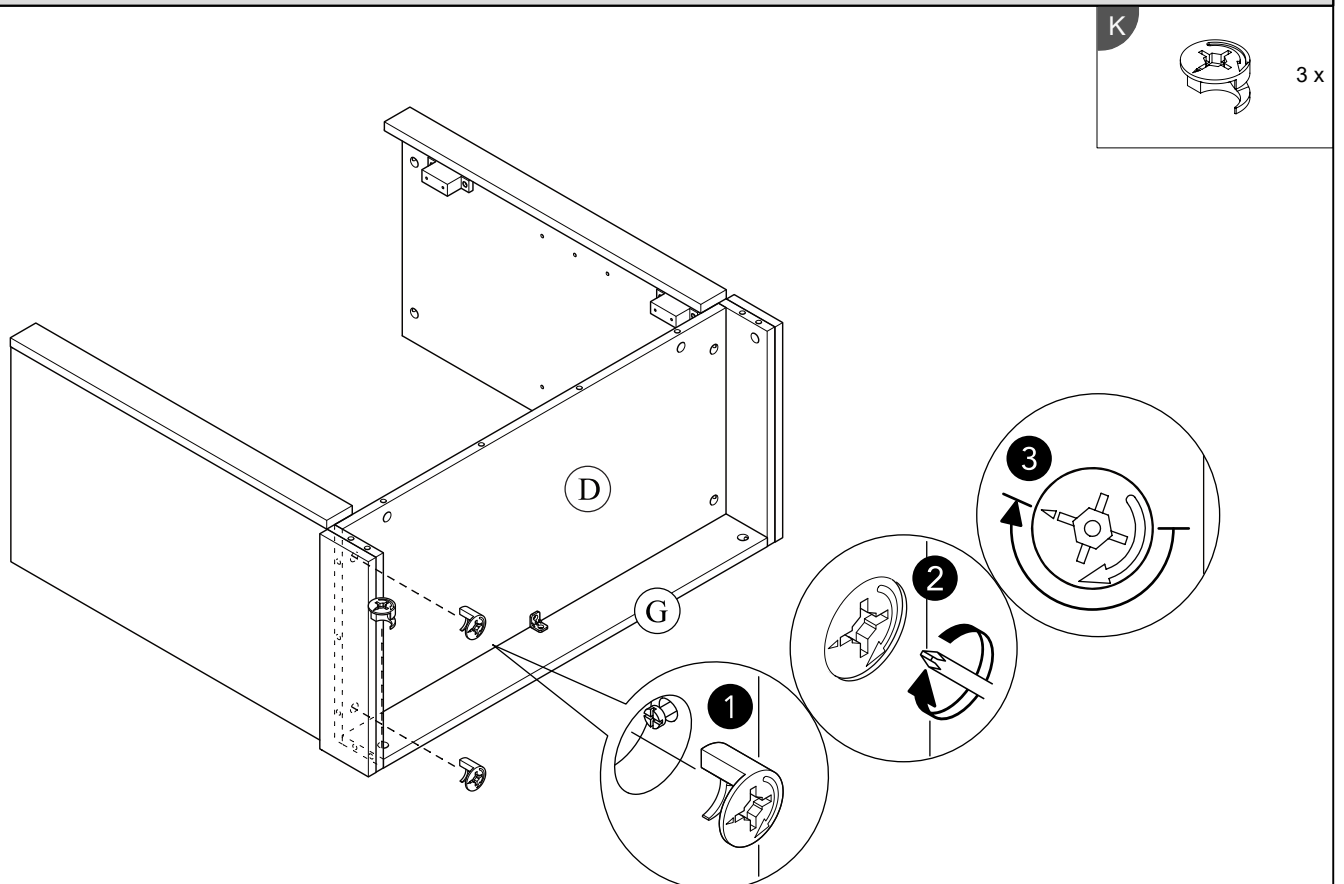
STEP 12



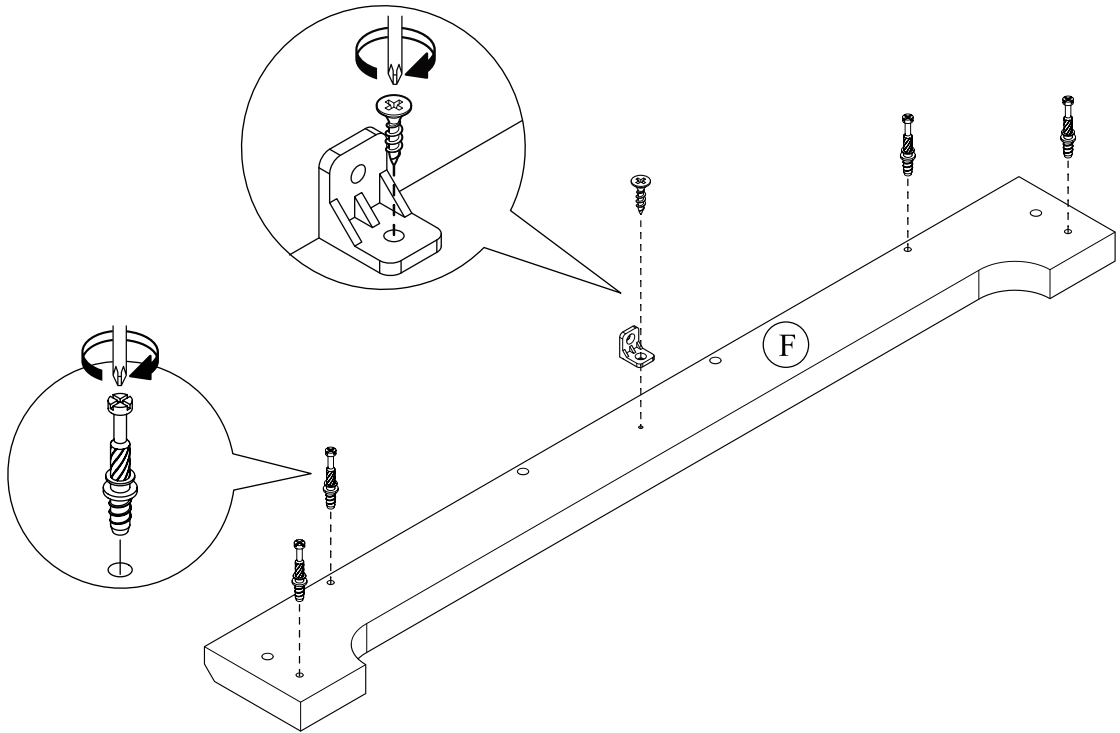
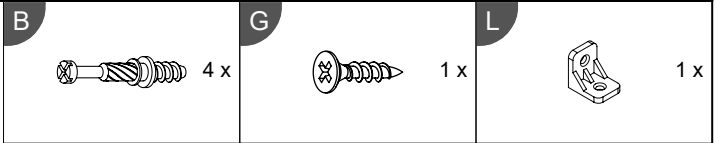
STEP 13



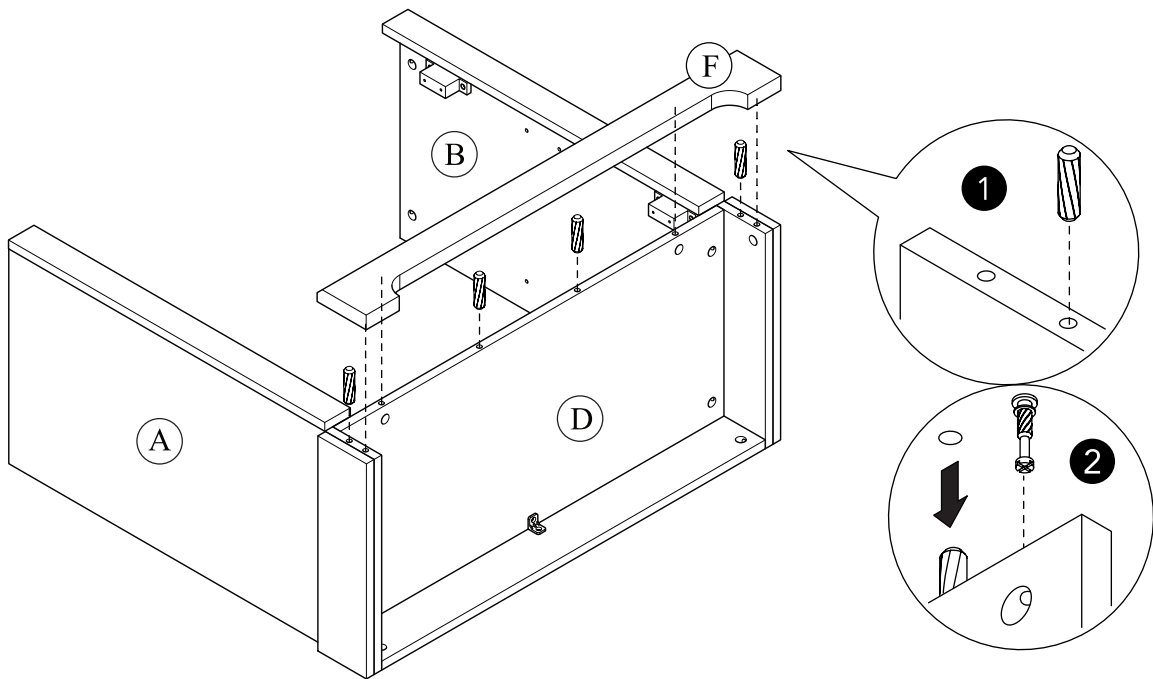
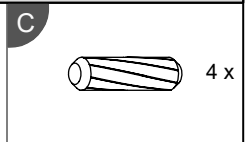
STEP 14



STEP 15



STEP 16

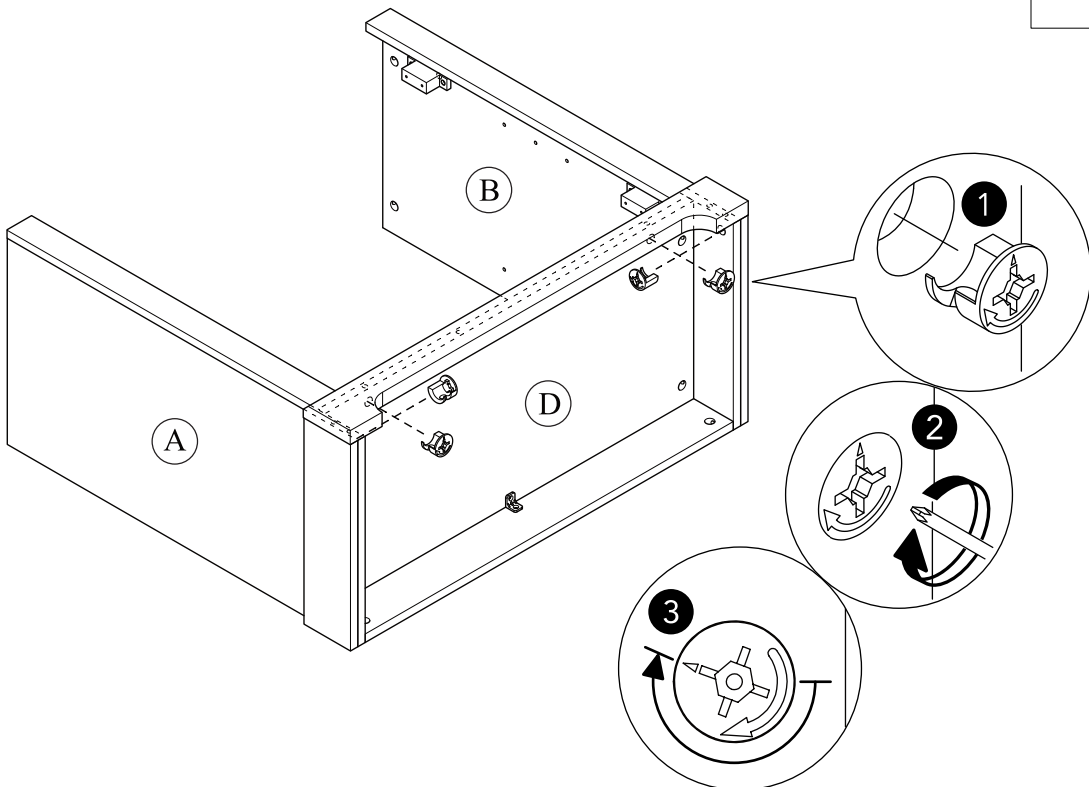


STEP 17

K



4 x



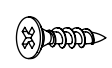
STEP 18

J

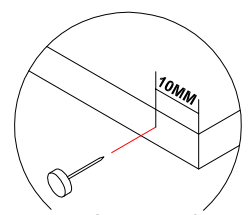
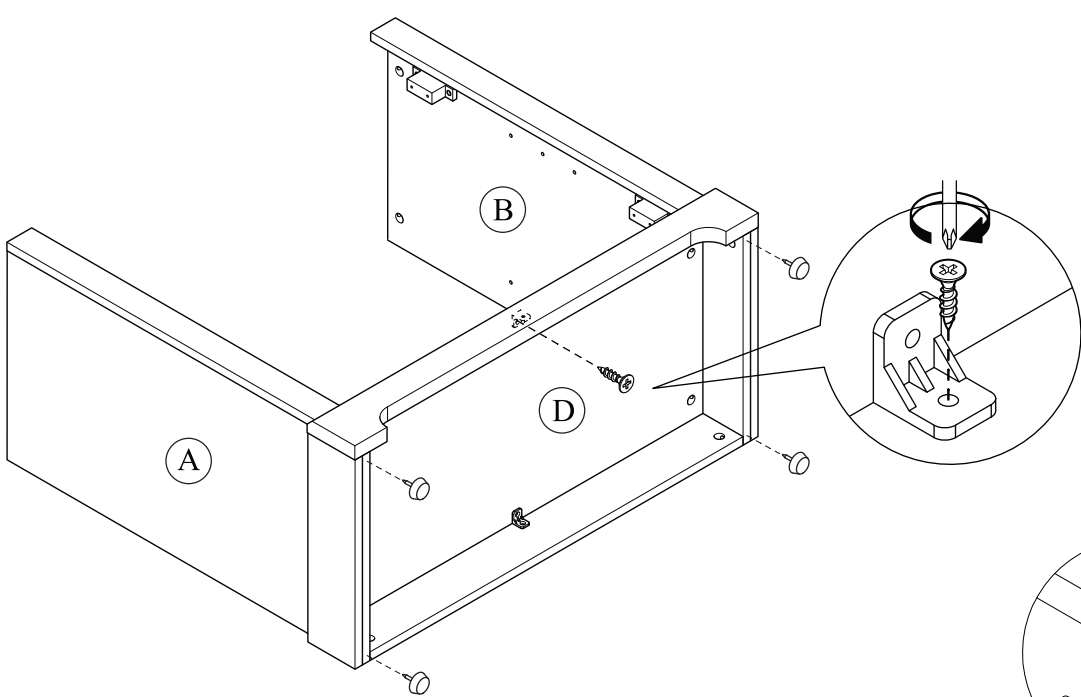


4 x

G

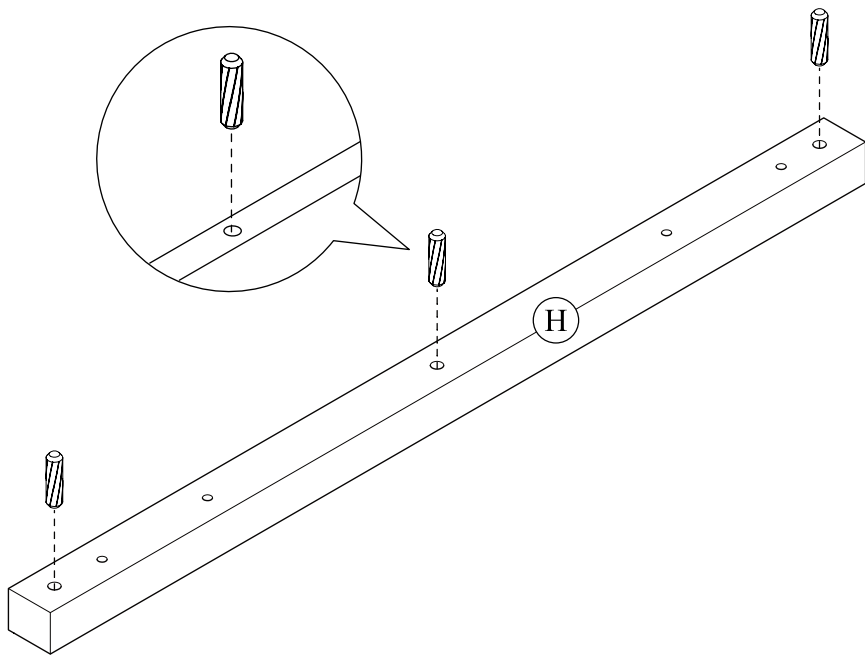
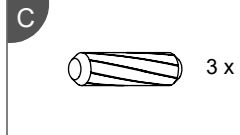


1 x

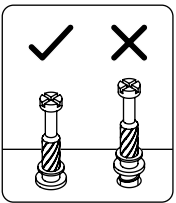
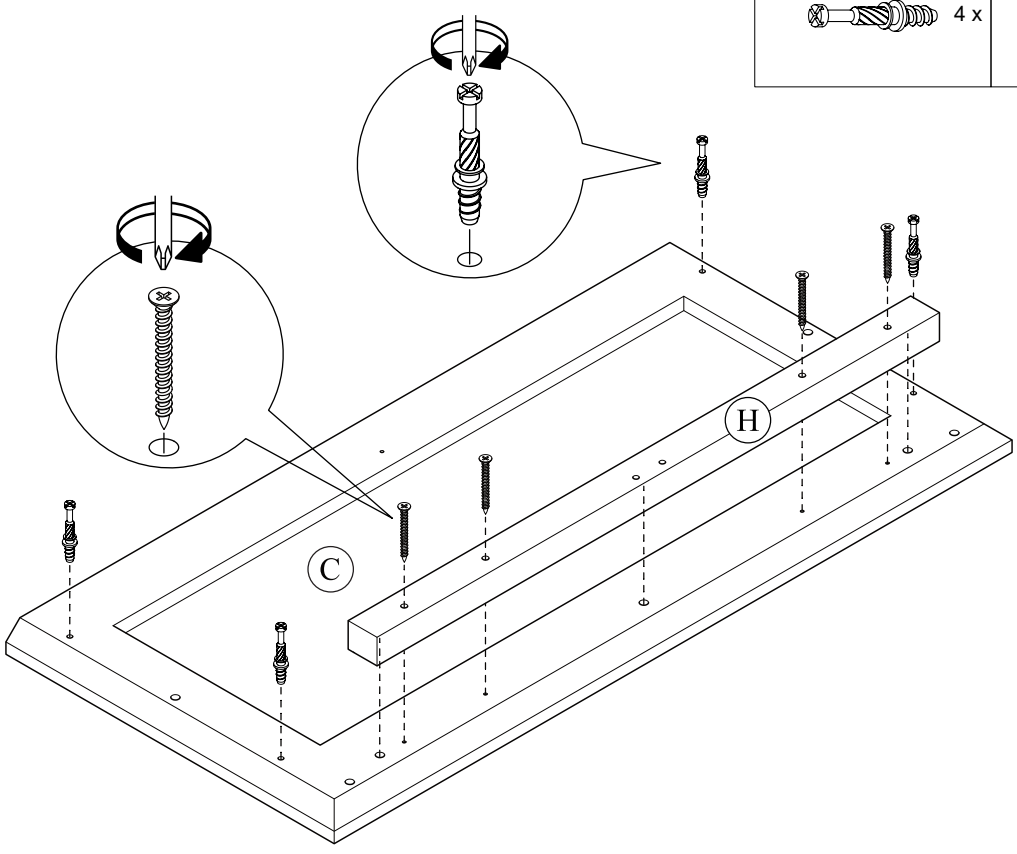
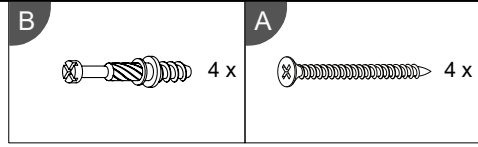


WARNING : THE FRONT NAIL LEG MUST FIX AT 10MM FROM FRONT.

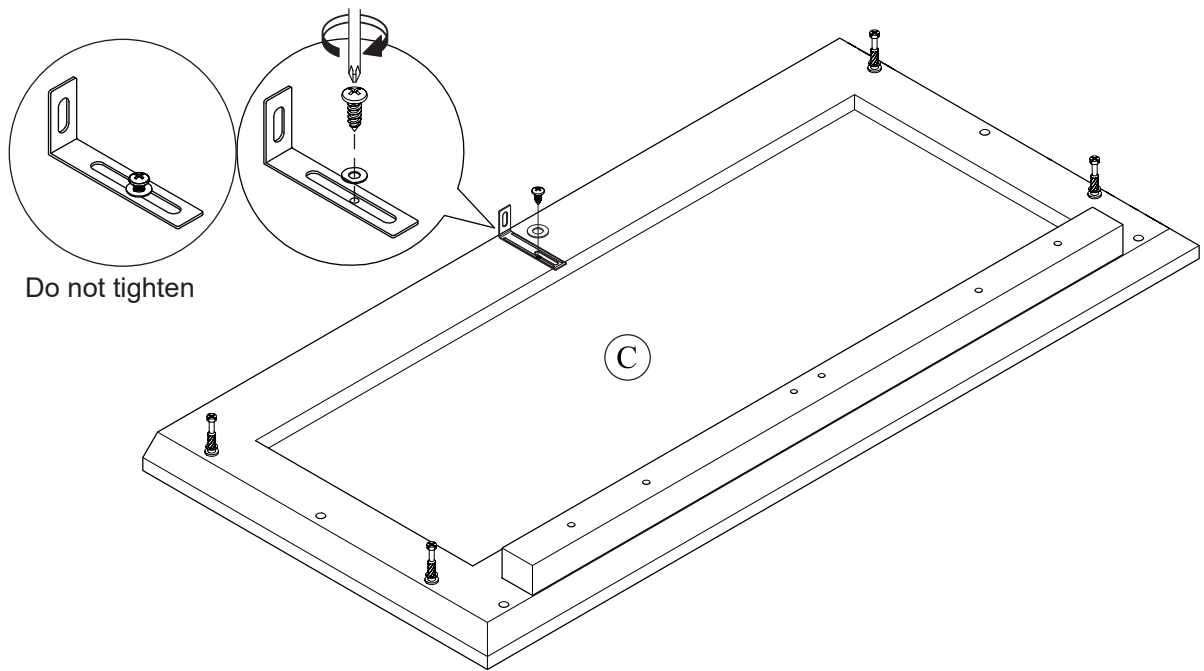
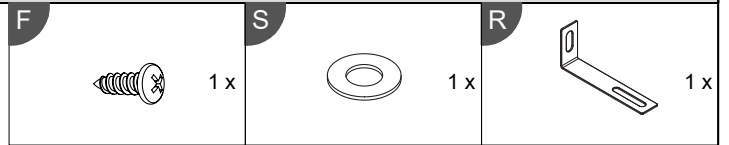
STEP 19



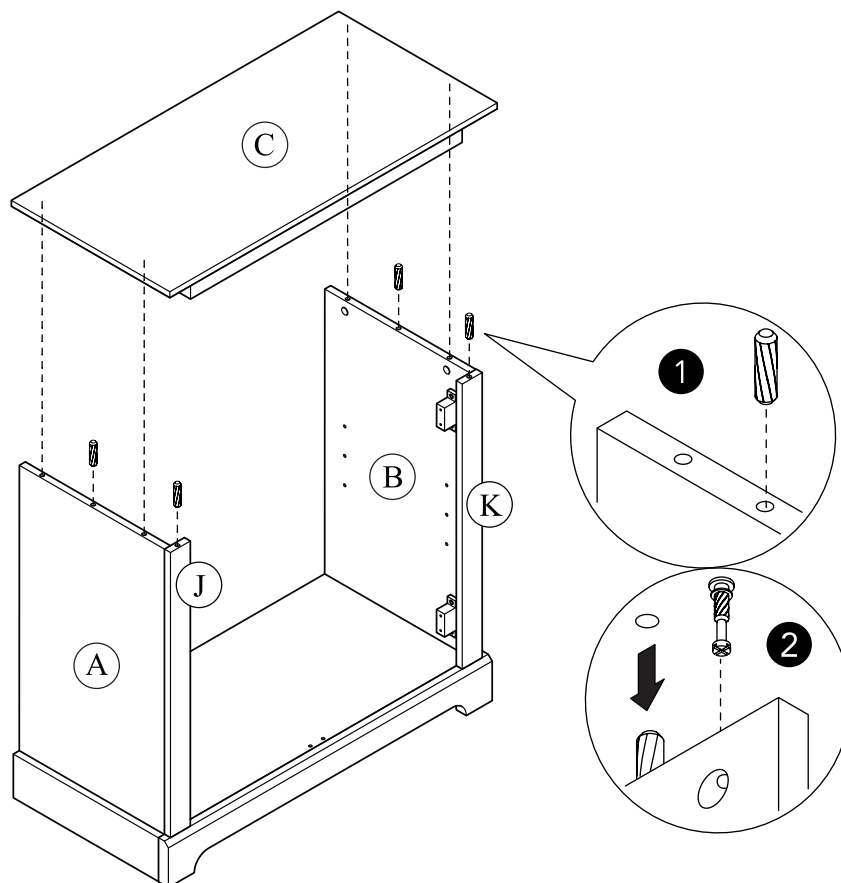
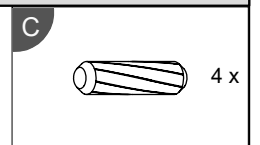
STEP 20



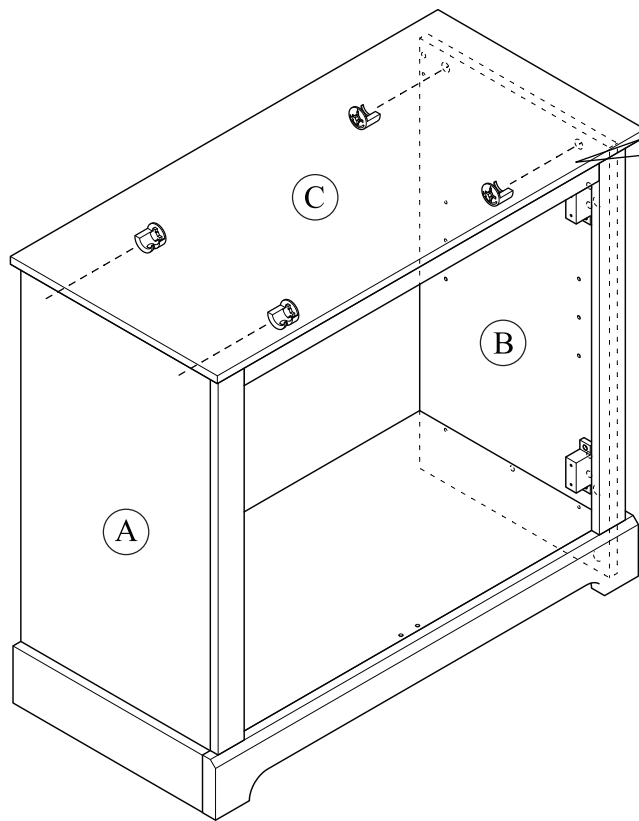
STEP 21



STEP 22



STEP 23

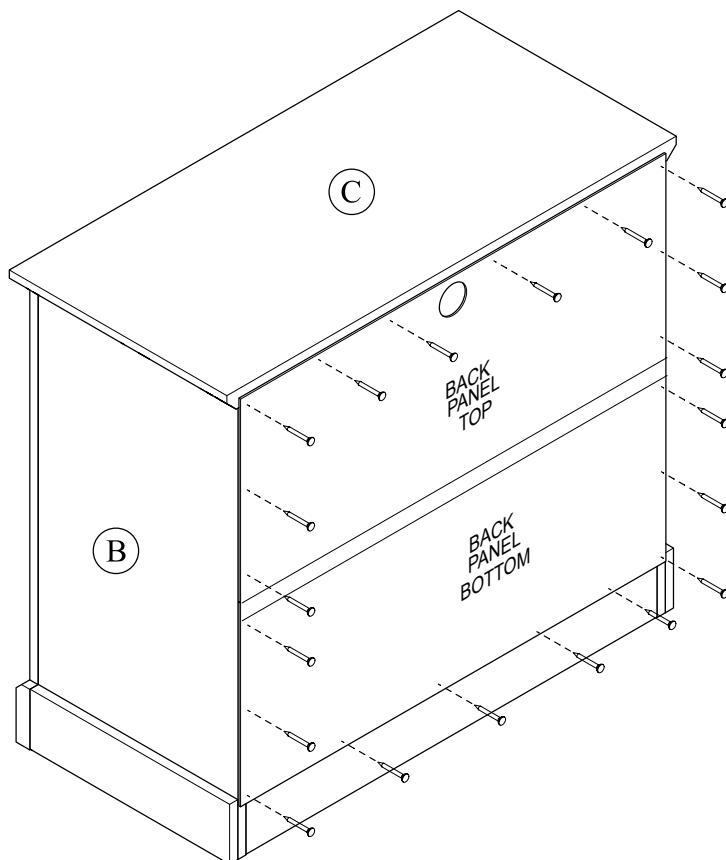


K



4 x

STEP 24

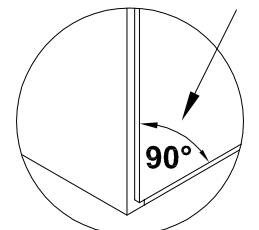


L

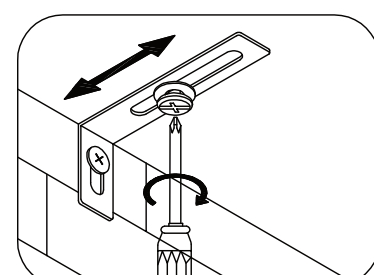
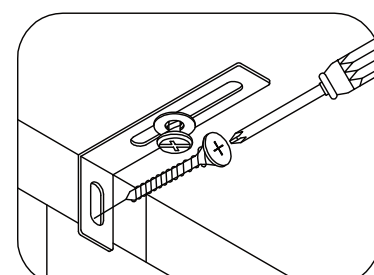
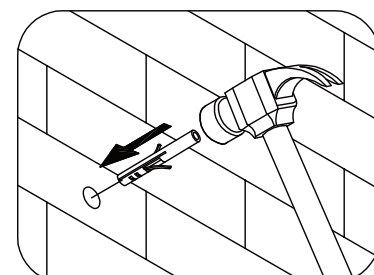
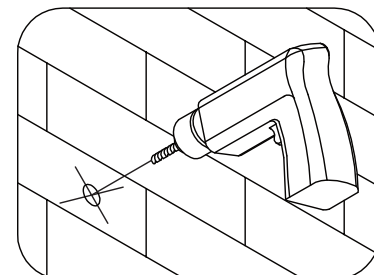
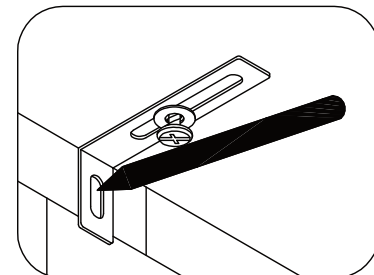
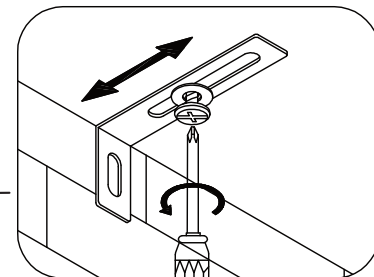
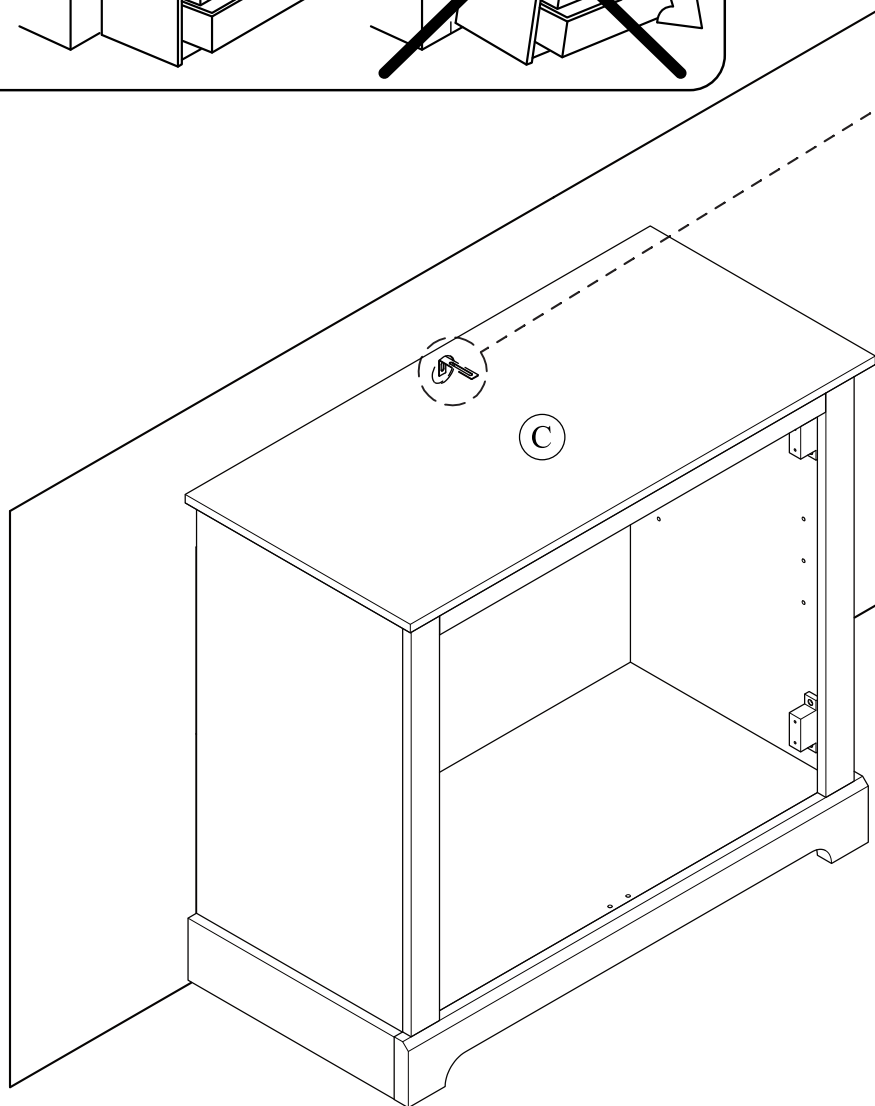
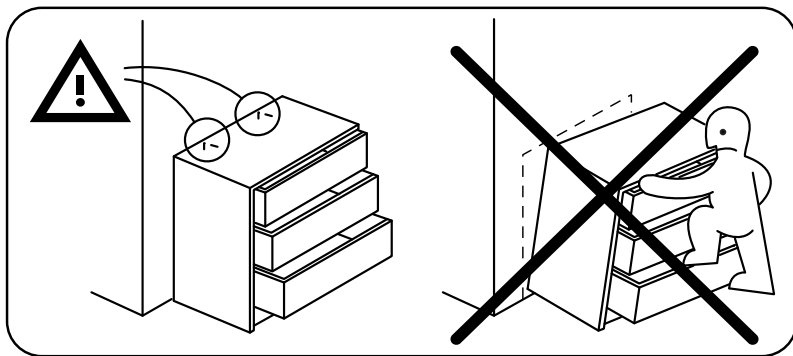


20 x

PLEASE ENSURE THAT EACH OF THE FOUR CORNERS OF THE CABINET IS SQUARE.



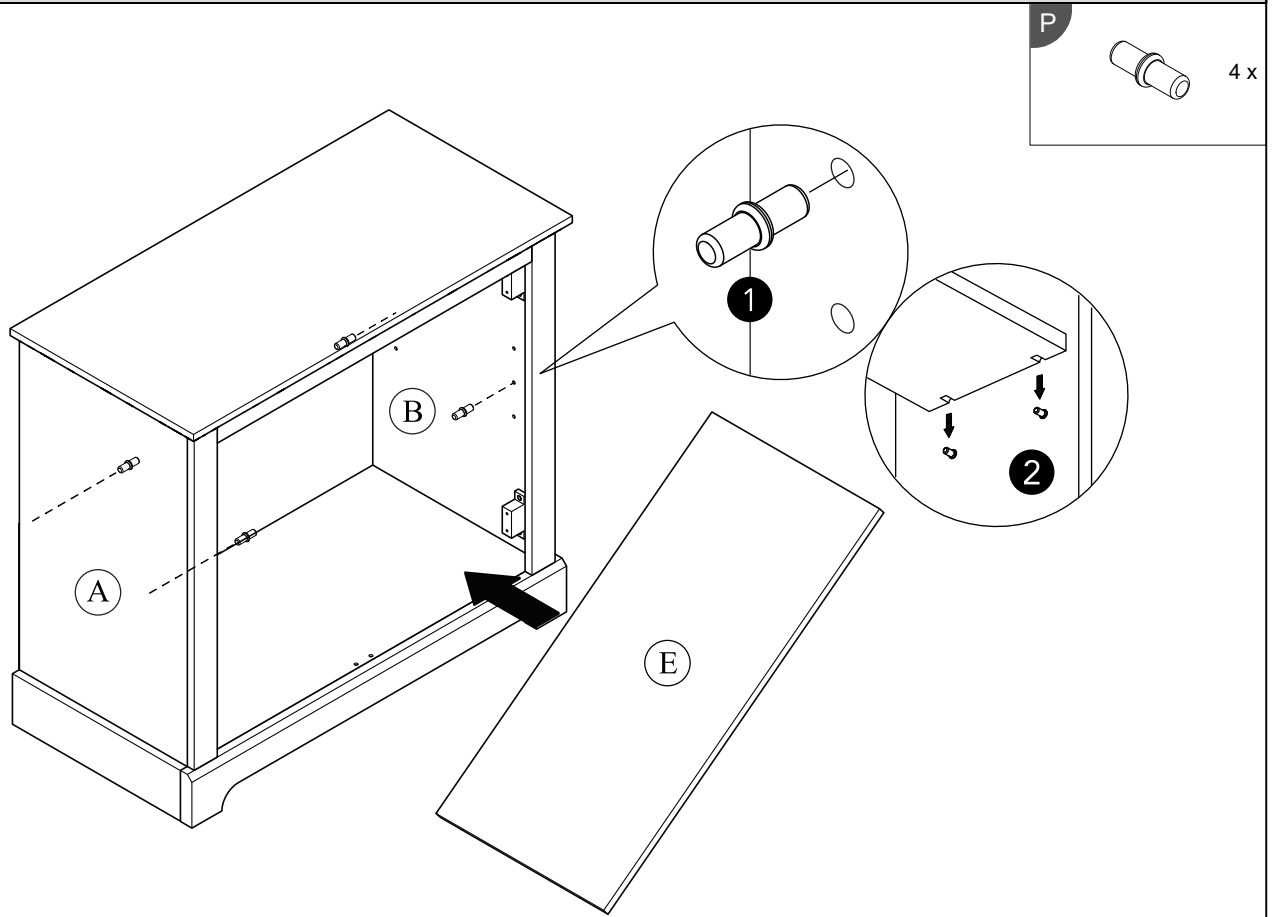
STEP 25



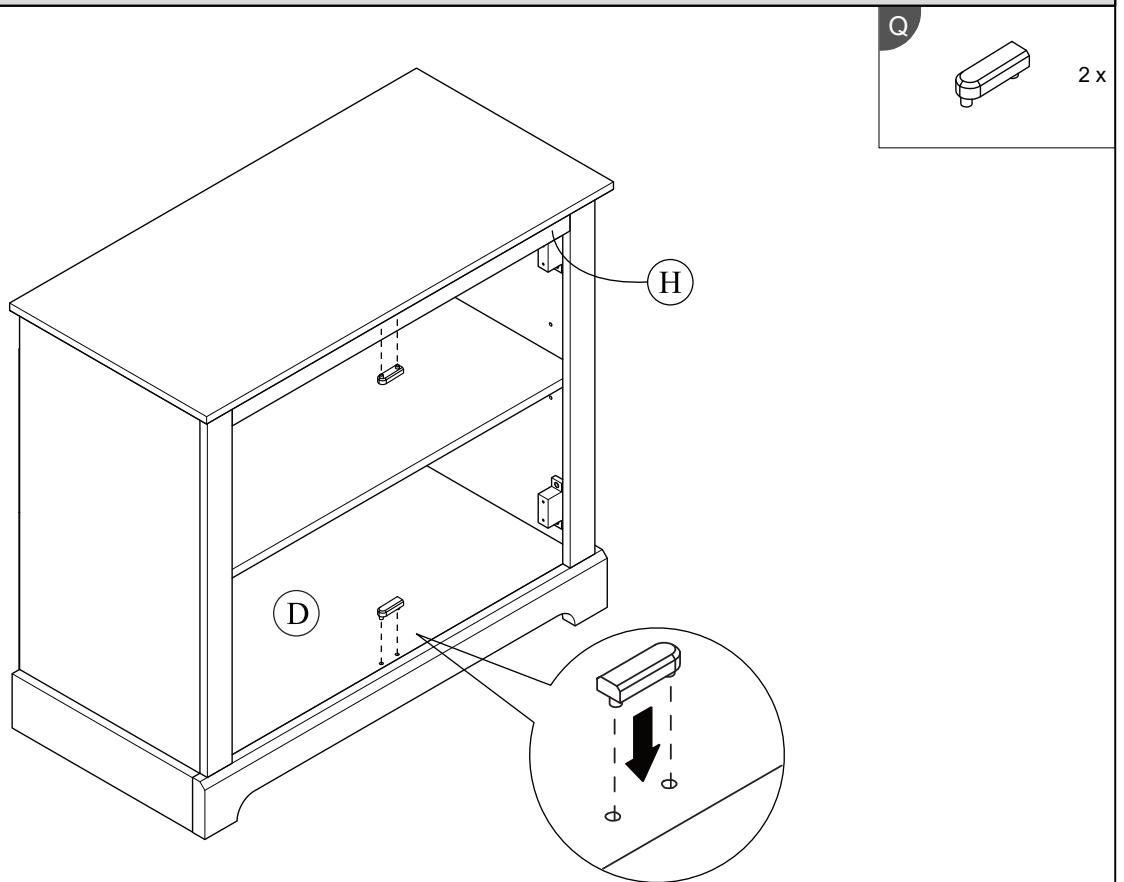
NOTE : Wall fixing are not supplied with this product as different wall materials require different types of fixing devices (such as Rawl plugs on brick work). You must use fixing devices suitable for the type of wall you intend to mount this product to. Please ensure that the head of any screw used has a diameter greater than the diameter of the mounting hole on the product and that the fixing is safe and secure before use.

The brackets and screws which to fix the strap on to the furniture are only supplied.

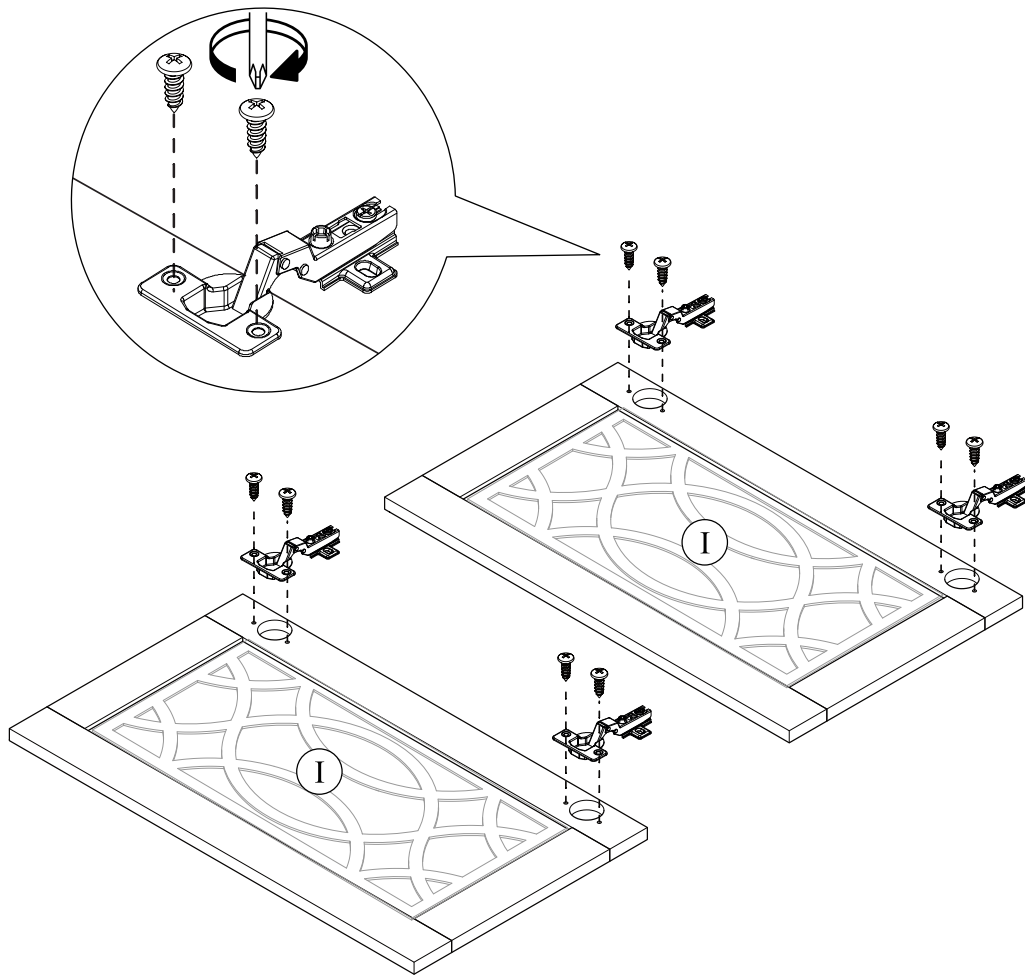
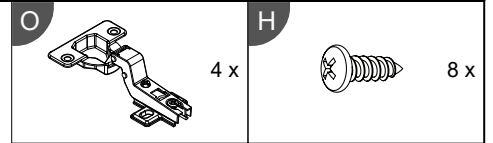
STEP 26



STEP 27



STEP 28

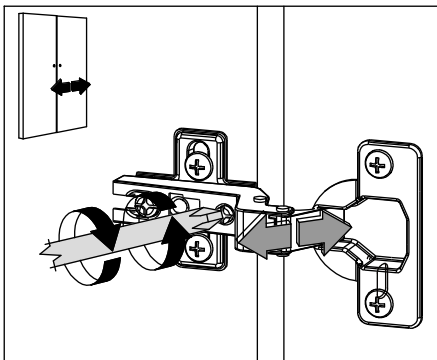
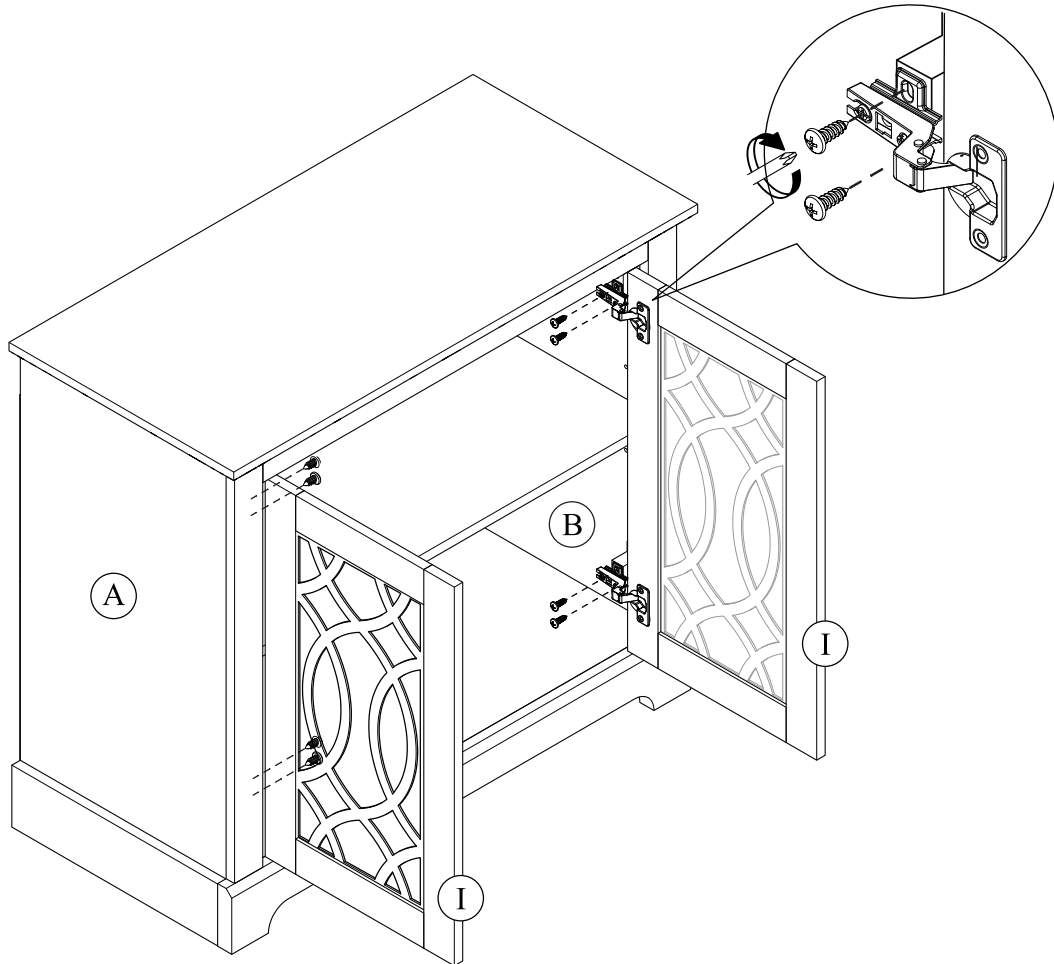


STEP 29

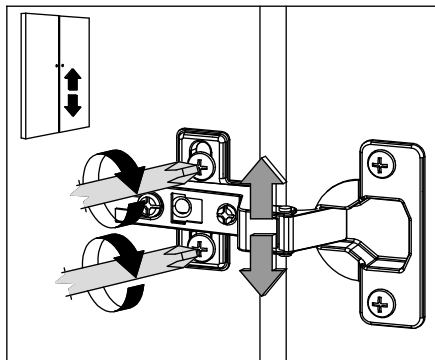
H



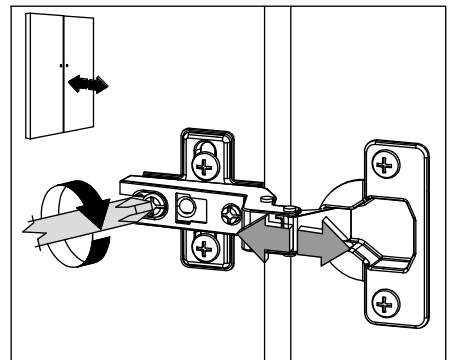
8 x



A. Lateral adjustment (Moving Door Left-Right) by screw adjusting

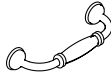



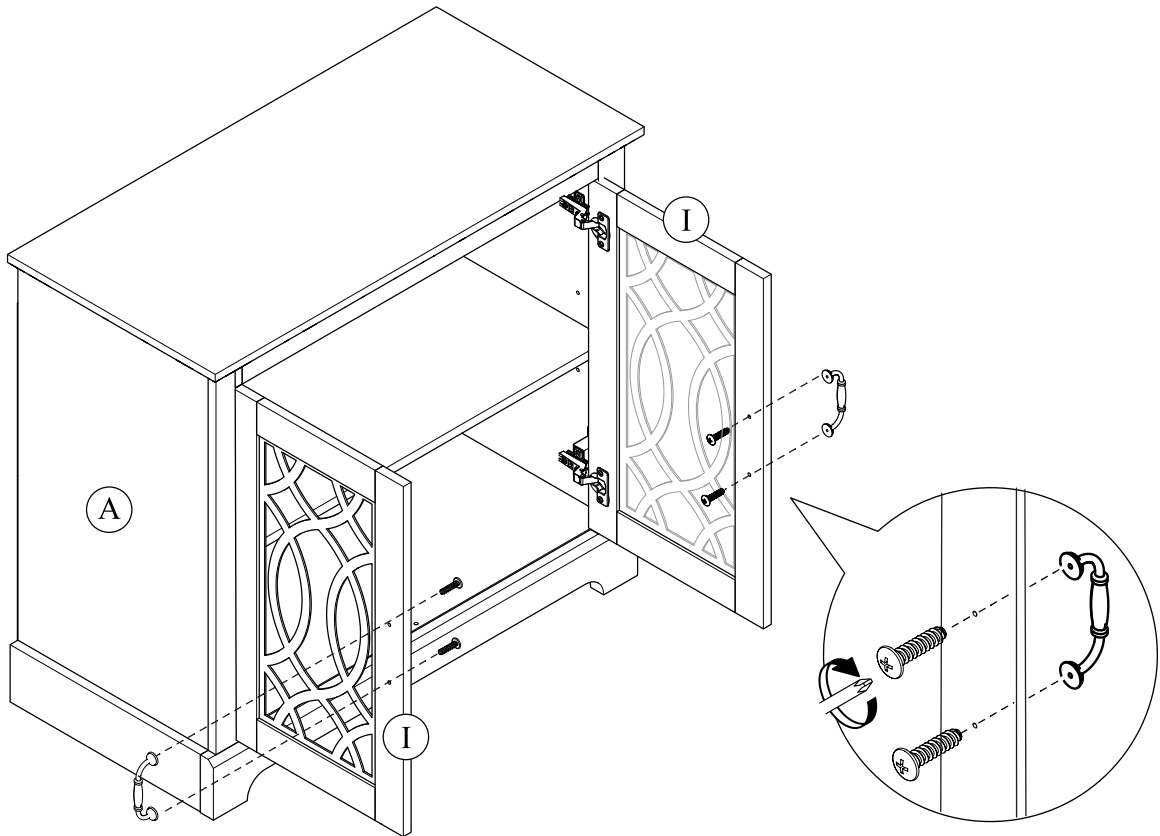
B. Vertical adjustment (Moving Door Up-Down) via slot in the mounting plate



C. Front-to-back adjustment (Spacing Door Off Carcas) by slacking the hinge arm mounting screw

STEP 30

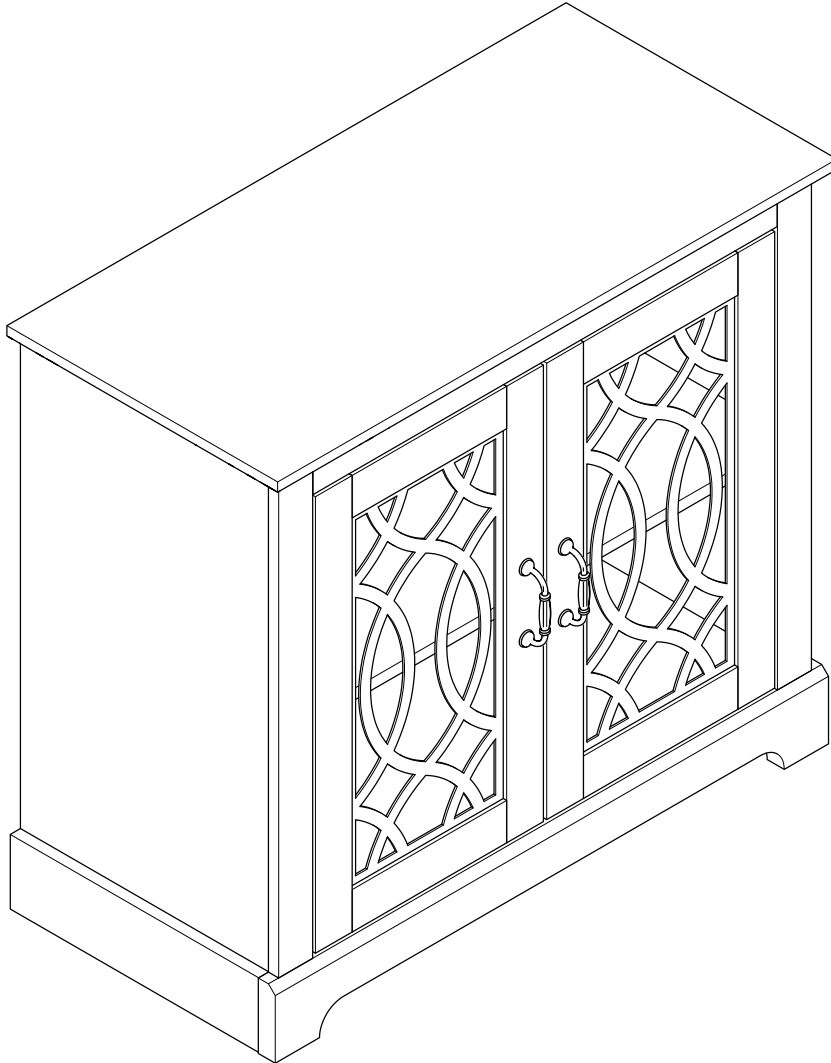
N  2 x	E  4 x
---	---



Complete Assembly

Your *AMELIE 2 DOOR ACCENT CABINET* is now completely assembled.

Periodically check to ensure that the components are in proper position, free from damage. Also, make sure the connectors are tight and secure.



Keep instructions for future reference

