

NOVA 3' BED

IMPORTANT

PLEASE READ BEFORE YOU CONTINUE FURTHER

FOR DOMESTIC USE ONLY

THE PRODUCT YOU HAVE PURCHASED WILL GIVE YOU MANY YEARS OF SERVICE IF YOU FOLLOW THE GUIDELINES FOR ITS SAFE ASSEMBLY AND PERIODIC MAINTENANCE AND CLEANING.

DO NOT USE ANY TOOLS OTHER THAN THOSE SHOWN.

ANY SPANNERS OR ALLEN KEYS REQUIRED ARE INCLUDED WITH THE FITTINGS KIT.

DO NOT FOR ANY REASON USE A POWER TOOL TO ASSEMBLE THIS PRODUCT. ITS USE WILL INVALIDATE ANY CLAIM YOU MAY HAVE AND COULD MAKE THIS PRODUCT UNSAFE.

DEPENDING ON THE AMOUNT OF USE THIS PRODUCT RECEIVES IT MAY BE NECESSARY TO TIGHTEN UP THE FIXINGS FROM TIME TO TIME. THIS IS COMPLETELY NORMAL FOR ANY FLAT PACK FURNITURE.

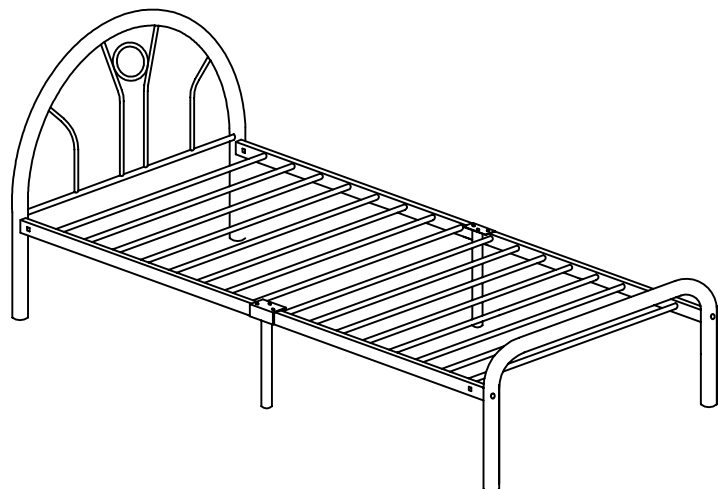
FOR CLEANING YOU MAY USE A DAMP CLOTH(NOT WET) DRY DUSTER AND NORMAL FURNITURE POLISH.

FOR PRODUCTS THAT INCLUDE SEAT PADS. SEAT PADS MAY STAIN OR MARK IF ALLOWED TO COME INTO CONTACT WITH WET OR DAMP OBJECTS AS MATERIALS USED HAVE NOT BEEN SCOTCH GUARDED.

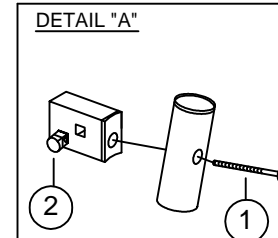
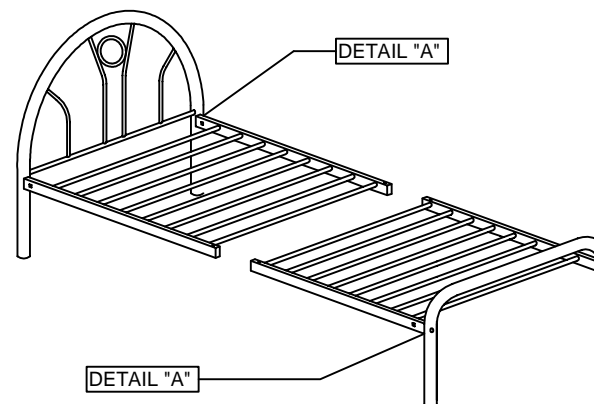
THE SURFACE OF THIS ITEM IS NOT HEAT RESISTANT. ALWAYS USE A PLACEMENT UNDER HOT OR COLD ITEMS TO PREVENT MARKING.

IF THE ROOM YOU PLAN TO USE YOUR NEW BED IN HAS A **LAMINATE OR WOOD FLOOR**, WE HIGHLY RECOMMEND YOU PURCHASE SOME ANTI-SKID PADS TO FIT TO THE UNDERSIDE OF THE FEET OF THE BED. FLOORS OF THIS NATURE OFFER NO GRIP, WHICH OVER A SMALL PERIOD OF TIME CAN RESULT IN THE BED FITTINGS & COMPONENTS COMING LOSE OR BREAKING ALTOGETHER DUE TO THEM SLOWLY SLIPPING ON THE FLOOR. THESE GRIPS WILL ALSO PROTECT YOUR FLOOR FROM ANY MARKING THAT MAY BE CAUSED BY YOUR FURNITURE SLIPPING IN THIS MANNER. THESE PADS CAN BE BOUGHT FROM MOST GOOD **DIY** SHOPS OR SUPERSTORES AND ARE RELATIVELY INEXPENSIVE.

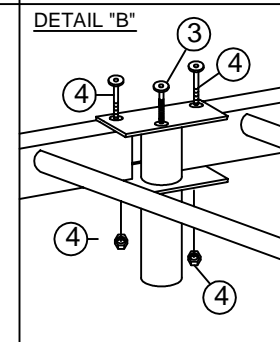
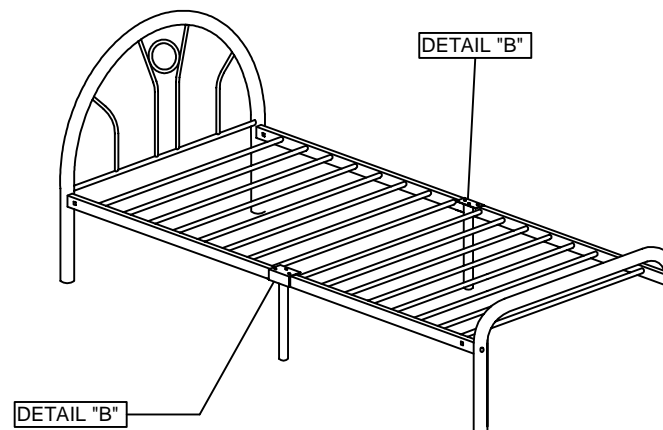
NOVA 3' BED



1st STEP



2nd STEP



1		M8 X 70mm BOLT	4PCS
2		M8 METAL CONNECTOR	4PCS
3		M6 X 30mm BOLT	2PCS
4		M8 X 62mm BOLT + NUT	4PCS
5		M6 ALLEN KEY	1PC
6		M8 ALLEN KEY	1PC
7		SPANNER	1PC

Care and Maintenance Instruction

- 1) No powertools shall be used for assembly of bed, Use only allen key for assembly
- 2) Periodically check and ensure all bolts are tightened.

Method of Cleaning

FOR CLEANING YOU MAY USE A DAMP CLOTH(NOT WET) DRY DUSTER AND NORMAL FURNITURE POLISH.

USE OF POWER TOOLS TO ASSEMBLE THIS PRODUCT WILL INVALIDATE ANY CLAIM AND MAY DAMAGE THIS PRODUCT MAKING IT UNSAFE

