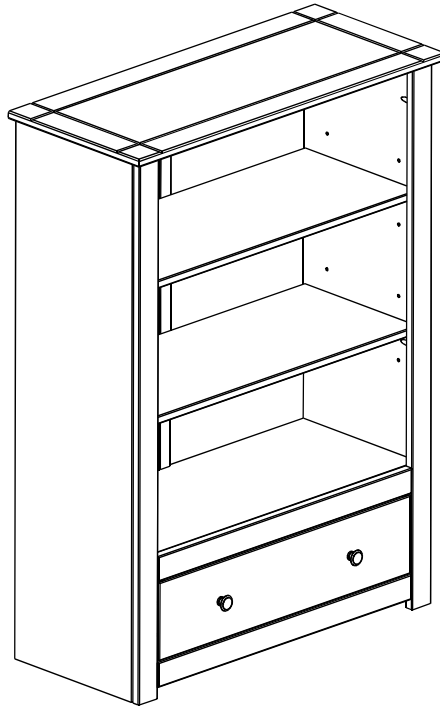


WHITE/NATURAL WAX

PANAMA 1 DRAWER BOOKCASE

ASSEMBLY INSTRUCTIONS



IMPORTANT

FOR DOMESTIC USE ONLY

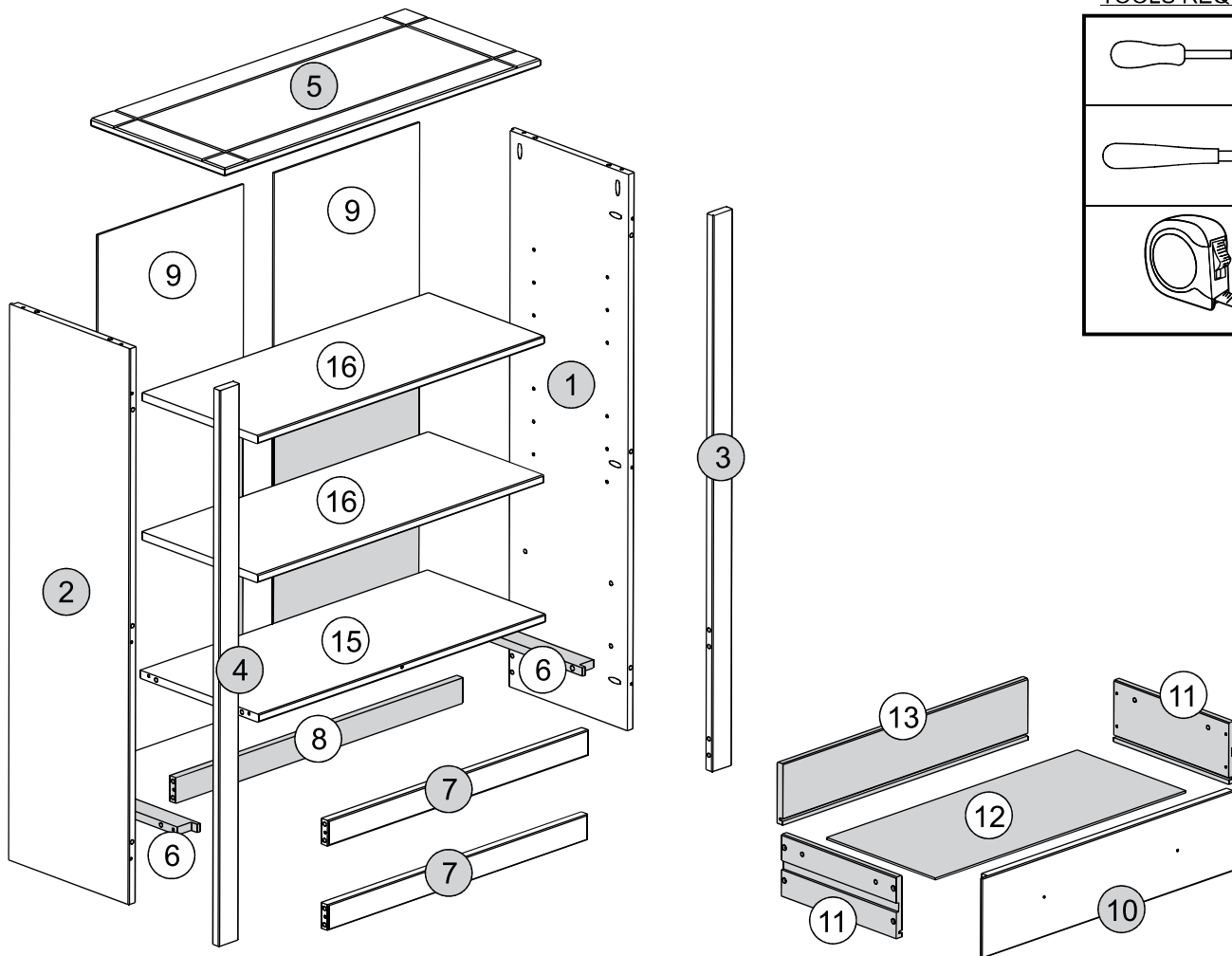
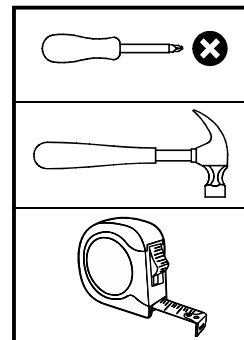
PLEASE READ BEFORE YOU CONTINUE FURTHER

CARE AND MAINTENANCE

After unpacking this product please keep the original packaging in case it needs to be returned for any reason.

- Please ensure all fittings and parts are present before commencing with assembly.
- Never drag or push products as this could cause damage to the joints making it inferior.
- We strongly recommend that you keep children away from your work area.
- We recommend that you lay a blanket or sheet on the floor to avoid damage to both your floor and the product.
- Assemble this product as close to its final position as possible.
- Do not place this product next to a radiator or in direct sunlight.
- Do not drag or push items across your high gloss furniture as this may cause the surface to scratch
- Wood is a natural product and may expand if subjected to damp and may shrink or crack if subjected to heat. Therefore it is recommended that room temperature is maintained, with no sudden temperature fluctuations.
- Make sure any spillage is wiped off immediately.
- Do not place hot or chilled items directly on to the surface, use a place mat or marking will occur.
- For general cleaning use a soft cotton or micro fibre cloth, and do not use detergents of any kind.
- From time to time it may be necessary to tighten fittings, regular inspections should be carried out.
- Do not place on a wet or damp floor as staining may occur to your floor.

TOOLS REQUIRED

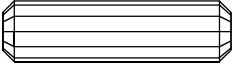


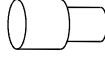
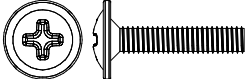
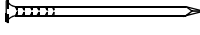


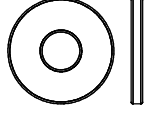




PARTS LIST

Please Note:
The below parts have all been stamped with the part number to help identify them during assembly.

<u>Part Number</u>	<u>Part Code</u>	<u>Part Description</u>	<u>Quantity</u>	<u>Carton</u>
1	S300-306-051-MY1-01	Right Side Panel	1	1/1
2	S300-306-051-MY1-02	Left Side Panel	1	1/1
3	S300-306-051-MY1-03	Right Front Upright	1	1/1
4	S300-306-051-MY1-04	Left Front Upright	1	1/1
5	S300-306-051-MY1-05	Top Panel	1	1/1
6	S300-306-051-MY1-06	Drawer Runner	2	1/1
7	S300-306-051-MY1-07	Front Crossbeam	2	1/1
8	S300-306-051-MY1-08	Back Crossbeam	1	1/1
9	S300-306-051-MY1-09	Back Panel	2	1/1
10	S300-306-051-MY1-10	Drawer Front	1	1/1
11	S300-306-051-MY1-11	Drawer Side	2	1/1
12	S300-306-051-MY1-12	Drawer Bottom	1	1/1
13	S300-306-051-MY1-13	Drawer Back	1	1/1
15	S300-306-051-MY1-15	Base	1	1/1
16	S300-306-051-MY1-16	Shelf	2	1/1

FITTINGS LIST

<p>A</p>  <p>+2 Dowel Ø8,0 x 30mm (32x)</p>	<p>B</p>  <p>+2 Pan Head Screw Ø3,5 x 30mm (26x)</p>	<p>C</p>  <p>+1 Flat Head Screw Ø3,0 x 30mm (8x)</p>	<p>D</p>  <p>+1 Plastic Support (8x)</p>
<p>E</p>  <p>+1 Flan Head Screw M4 x 25mm (2x)</p>	<p>F</p>  <p>+2 Nail 10x10 (24x)</p>	<p>G</p>  <p>Hangle (2x)</p>	<p>H</p>  <p>Anti - Tip - Kit (1x)</p>
<p>I</p>  <p>+1 Washer (2x)</p>	<p>J</p>  <p>+1 Flat Head Screw Ø3,5 x 14mm (6x)</p>	<p>K</p>  <p>1010mm (1x)</p>	

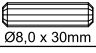
STEP 1

PARTS REQUIRED

1 - RIGHT SIDE PANEL x1

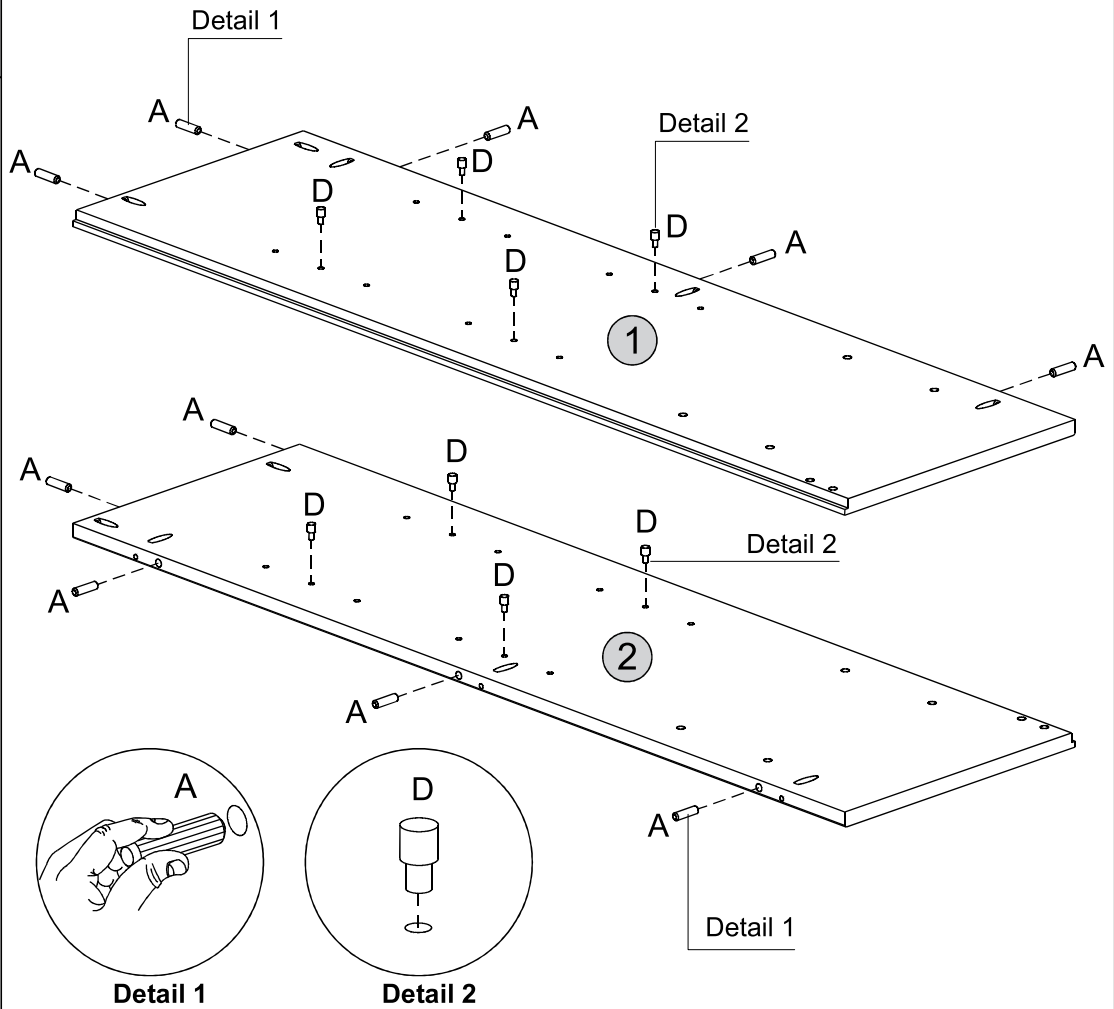
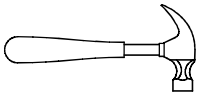
2 - LEFT SIDE PANEL x1

HARDWARE REQUIRED

A  10
Ø8,0 x 30mm

D  08
Plastic Support

TOOLS REQUIRED



STEP 2

PARTS REQUIRED

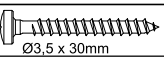
1 - RIGHT SIDE PANEL x1

2 - LEFT SIDE PANEL x1

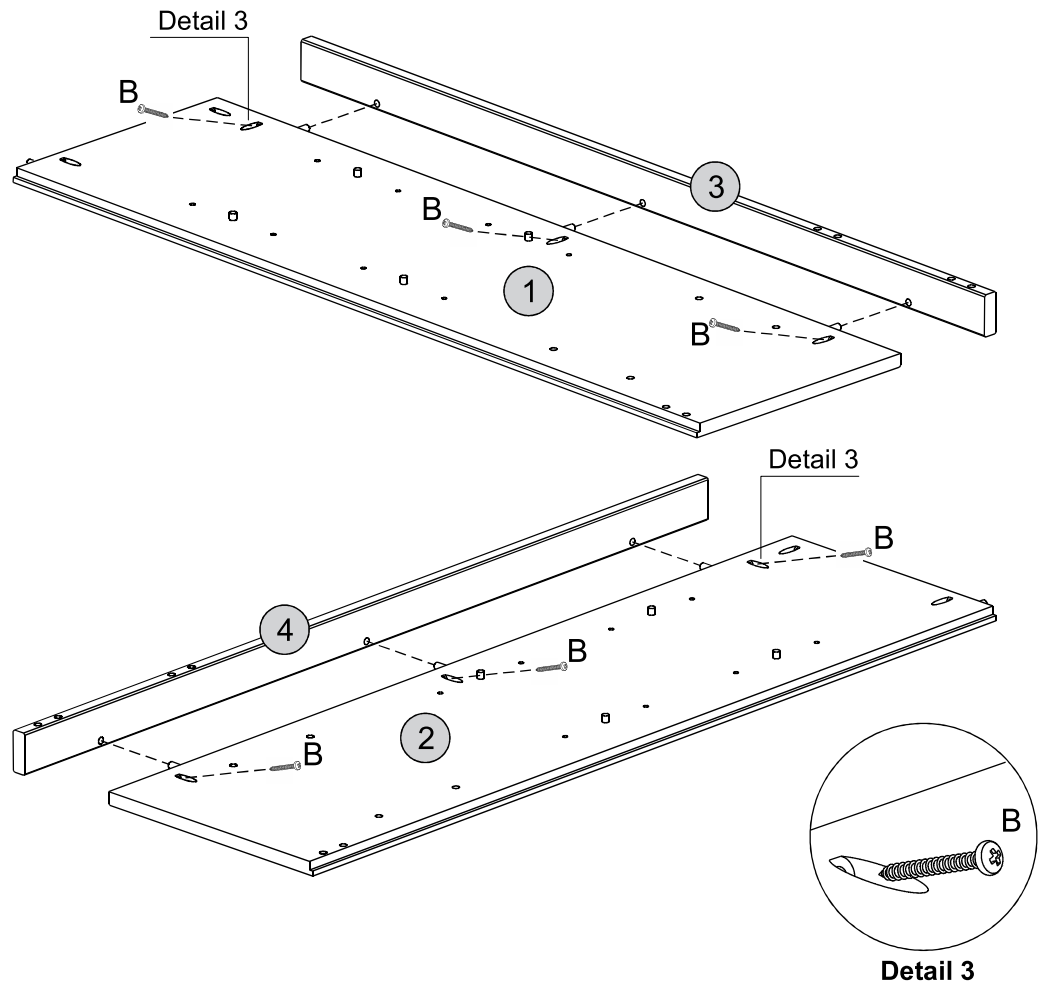
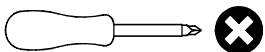
3 - RIGHT FRONT UPRIGHT x1

4 - LEFT FRONT UPRIGHT x1

HARDWARE REQUIRED

B  06
Ø3,5 x 30mm

TOOLS REQUIRED

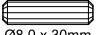


STEP 3

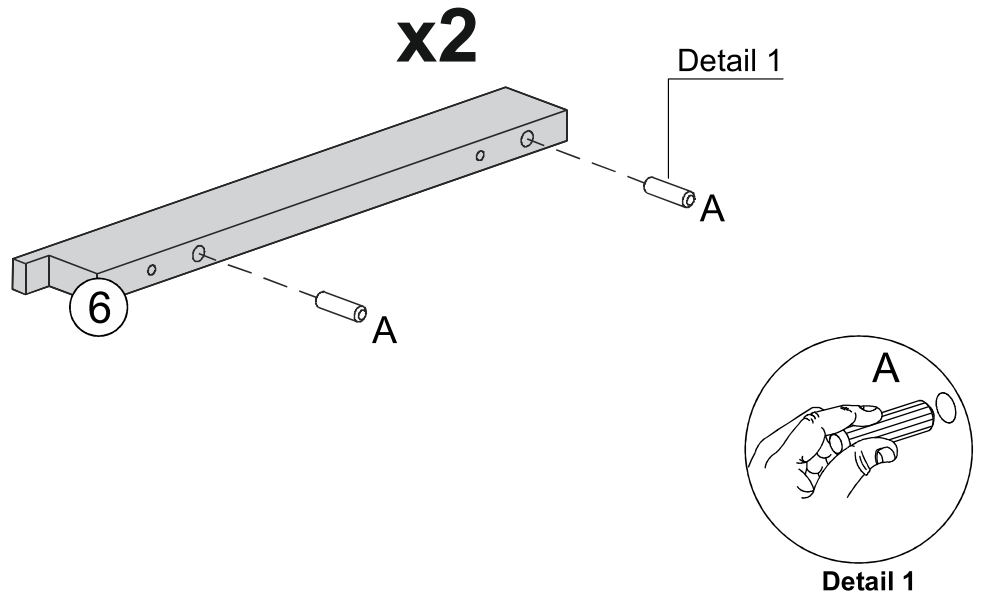
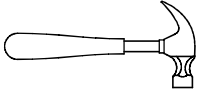
PARTS REQUIRED

6 - DRAWER RUNNER x2

HARDWARE REQUIRED

A  04
Ø8,0 x 30mm

TOOLS REQUIRED

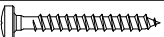


STEP 4

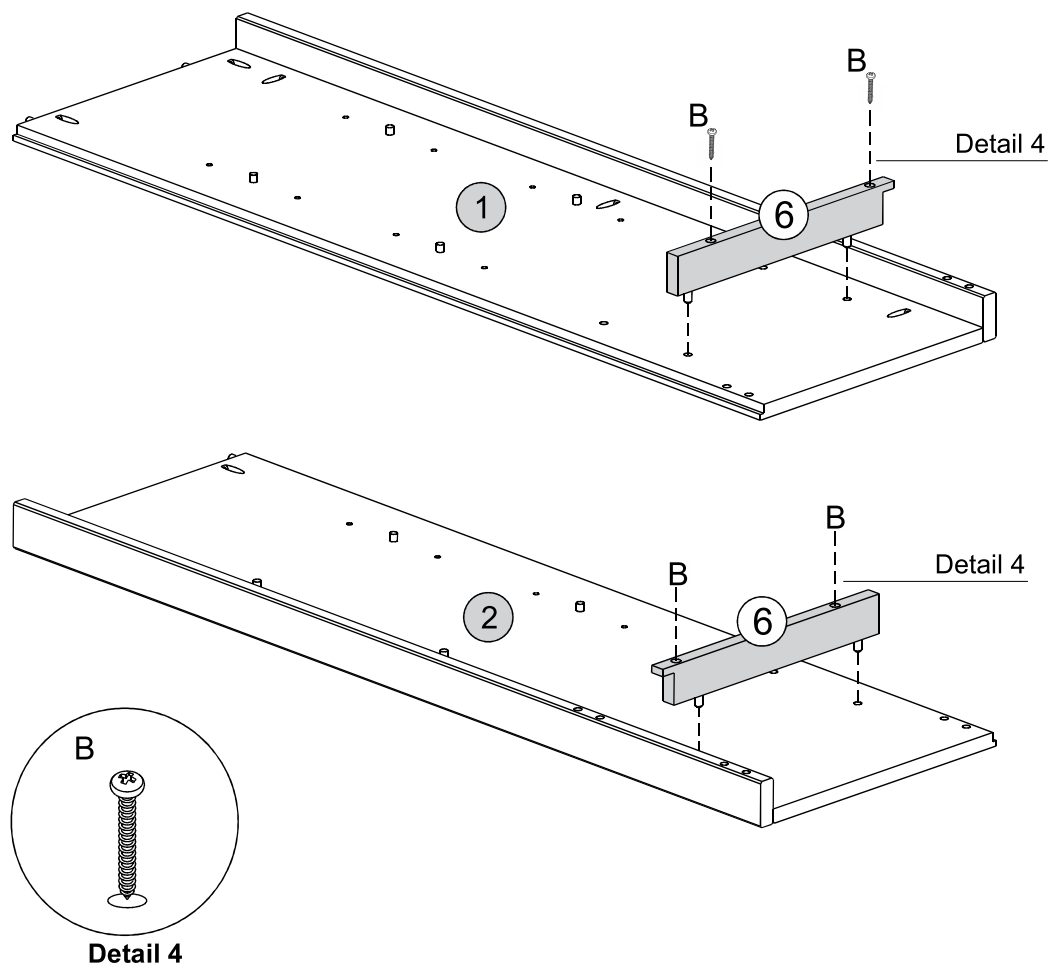
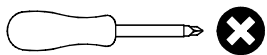
PARTS REQUIRED

6 - DRAWER RUNNER x2

HARDWARE REQUIRED

B  04
Ø3,5 x 30mm

TOOLS REQUIRED

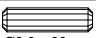


STEP 5

PARTS REQUIRED

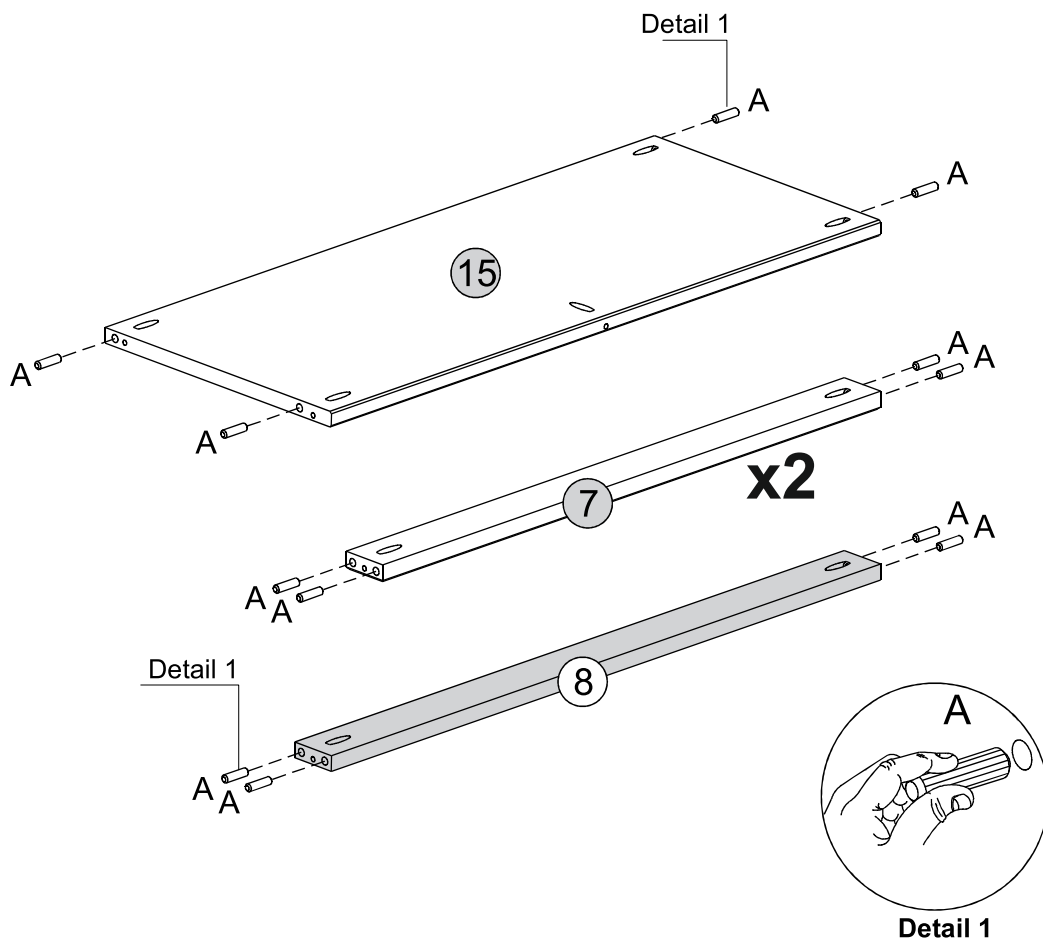
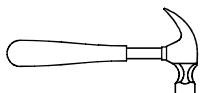
7 - FRONT CROSSBEAM	x2
8 - BACK CROSSBEAM	x1
15 - BASE	x1

HARDWARE REQUIRED

A		16
---	---	----

Ø8,0 x 30mm

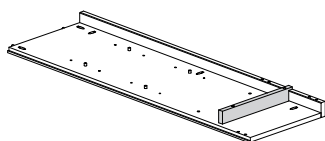
TOOLS REQUIRED



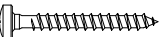
STEP 6

PARTS REQUIRED

7 - FRONT CROSSBEAM	x2
---------------------	----

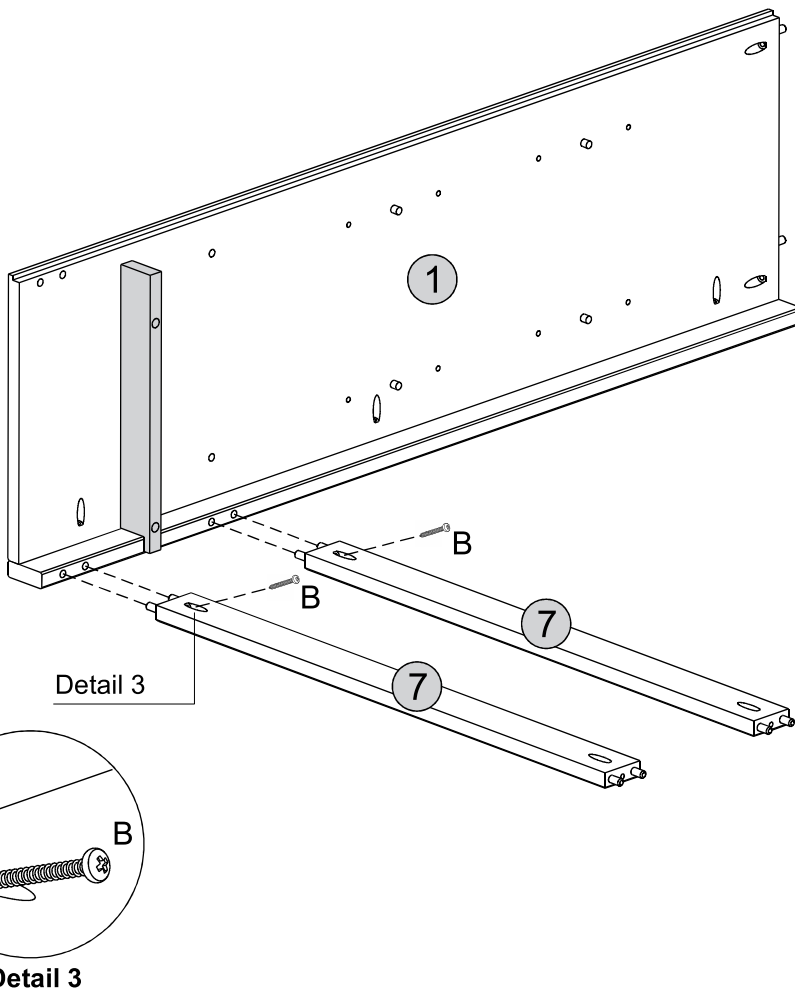
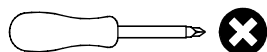


HARDWARE REQUIRED

B		02
---	---	----

Ø3,5 x 30mm

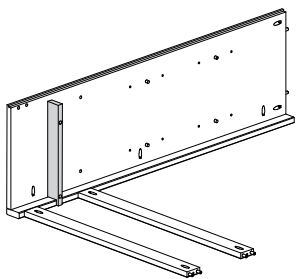
TOOLS REQUIRED




STEP 7

PARTS REQUIRED

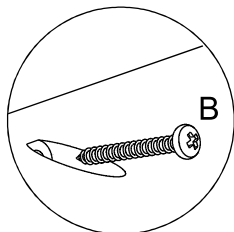
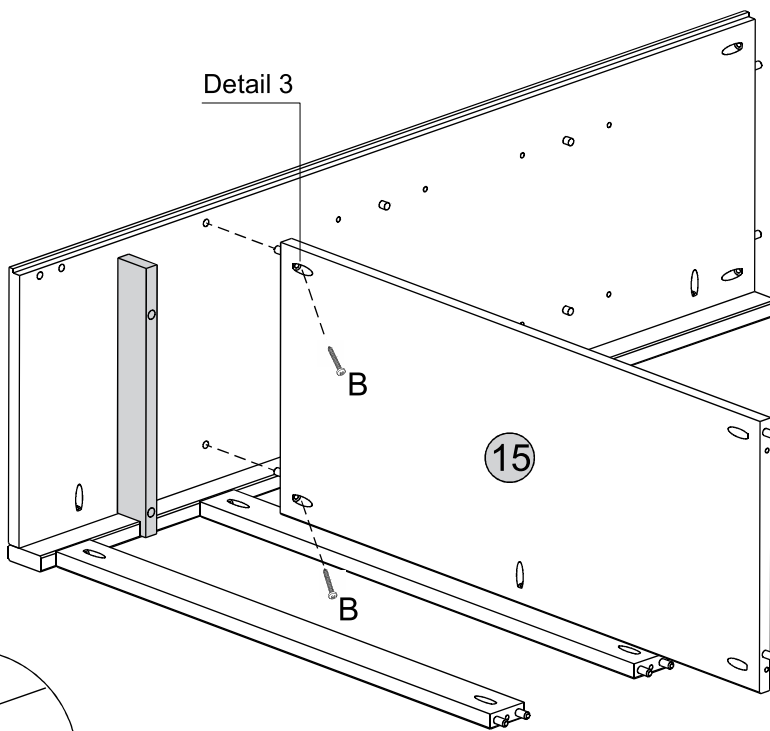
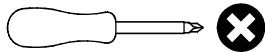
15 - BASE x1



HARDWARE REQUIRED

B  02
Ø3,5 x 30mm

TOOLS REQUIRED

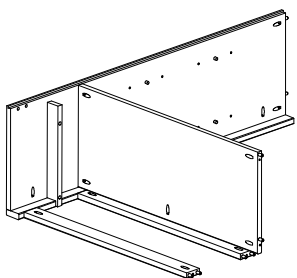


Detail 3


STEP 8

PARTS REQUIRED

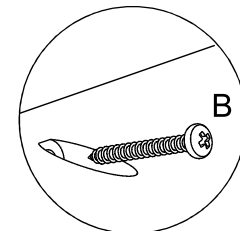
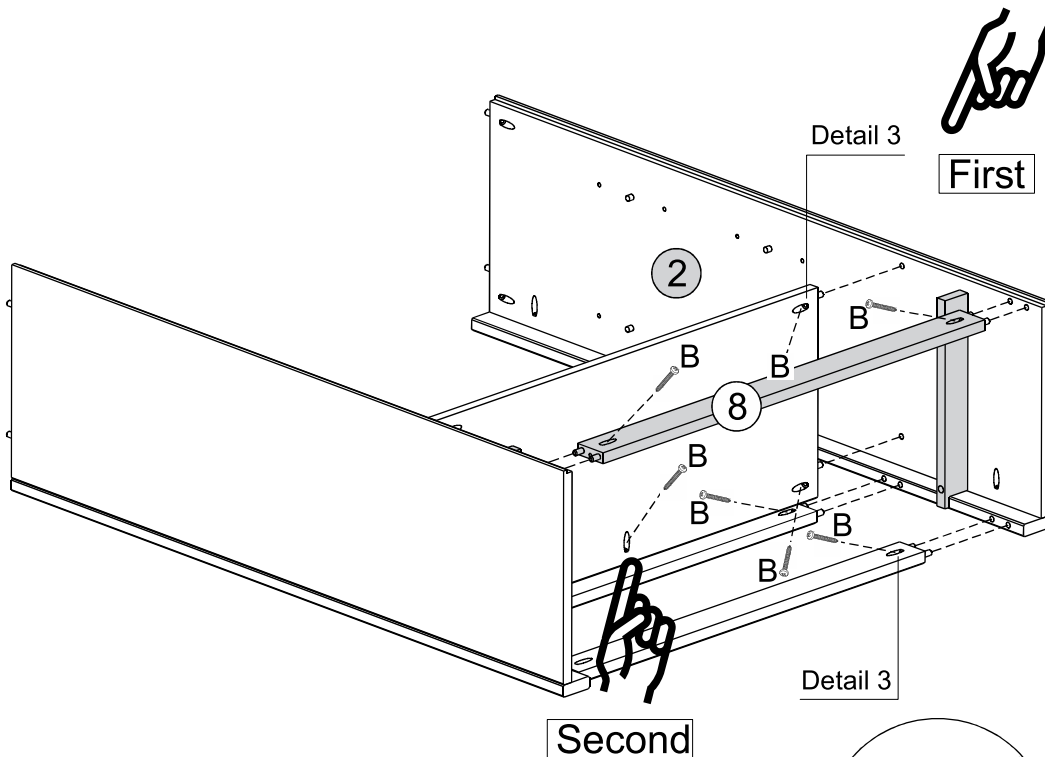
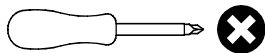
8 - BACK CROSSBEAM x1



HARDWARE REQUIRED

B  07
Ø3,5 x 30mm

TOOLS REQUIRED

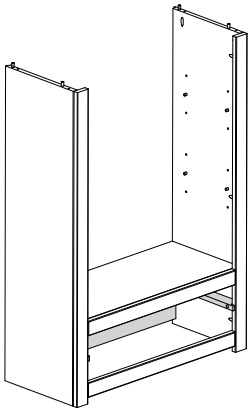


Detail 3


STEP 9

PARTS REQUIRED

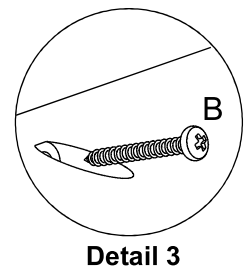
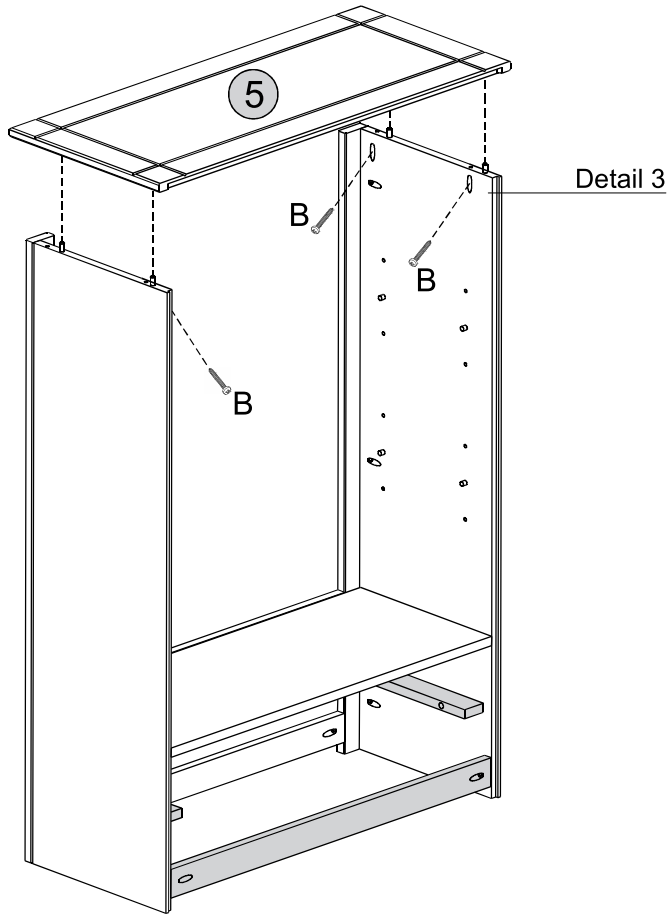
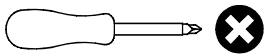
5 - TOP PANEL x1



HARDWARE REQUIRED

B  04
Ø3,5 x 30mm

TOOLS REQUIRED

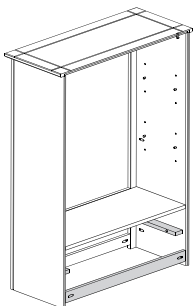


STEP 10

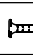
* For your future reference
Order Number should be here

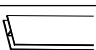
PARTS REQUIRED

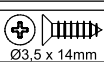
9 - BACK PANEL x2



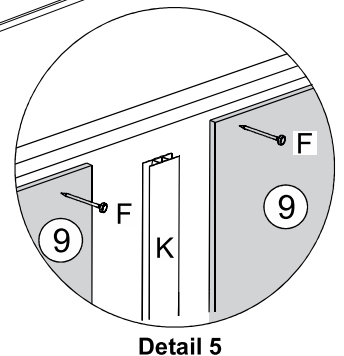
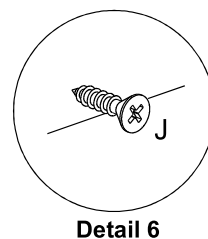
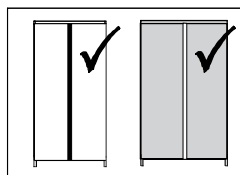
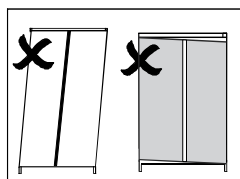
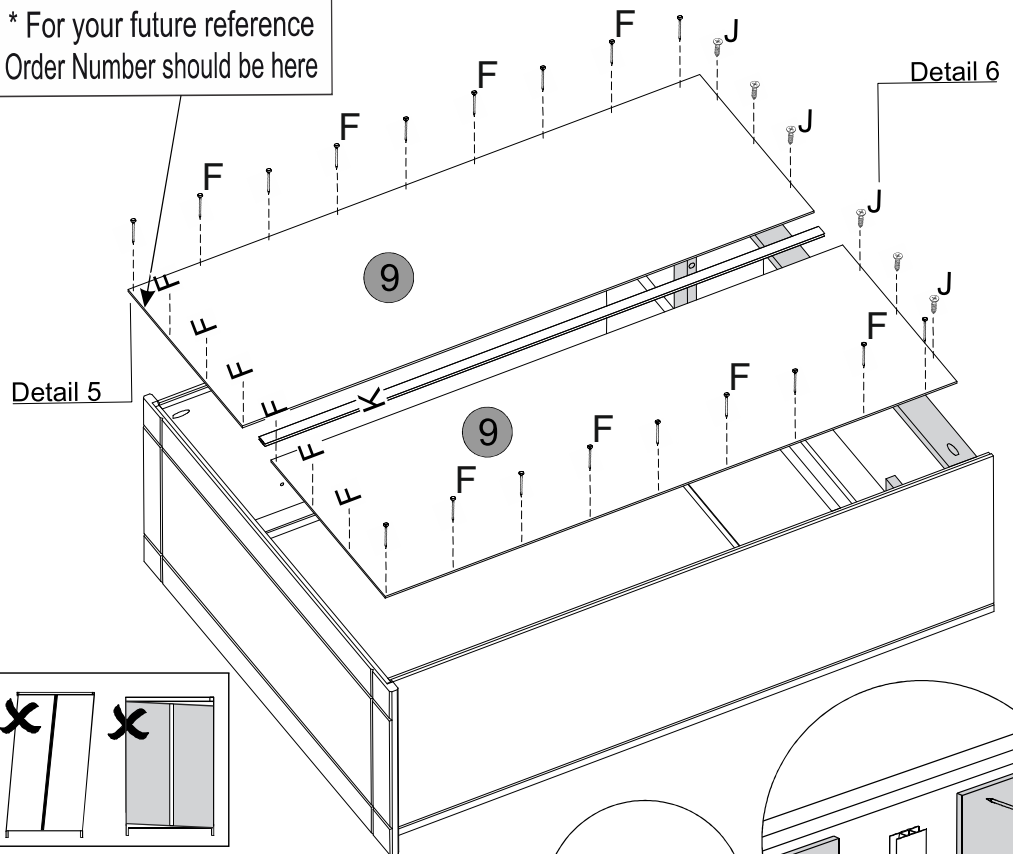
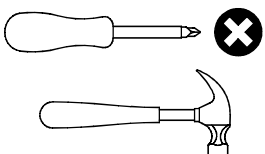
HARDWARE REQUIRED

F  24
Nail 10x10

G  01

J  x6
Ø3,5 x 14mm

TOOLS REQUIRED




STEP 11

PARTS REQUIRED

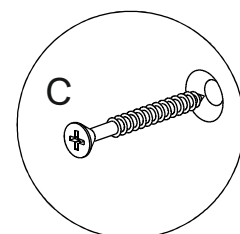
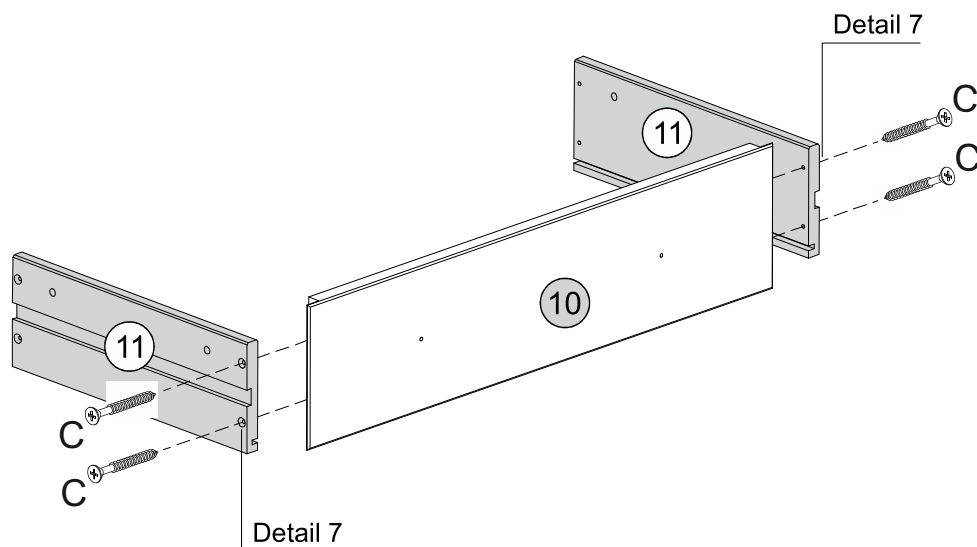
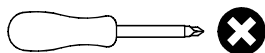
10 - DRAWER FRONT x1

11 - DRAWER SIDE x2

HARDWARE REQUIRED

C  04
Ø3,0 x 30mm

TOOLS REQUIRED



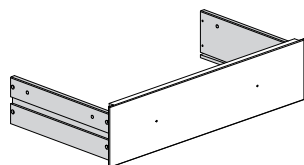
Detail 7

STEP 12


PARTS REQUIRED

12 - DRAWER BOTTOM x1

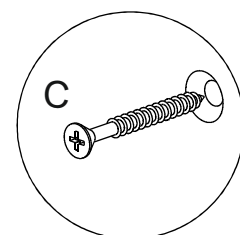
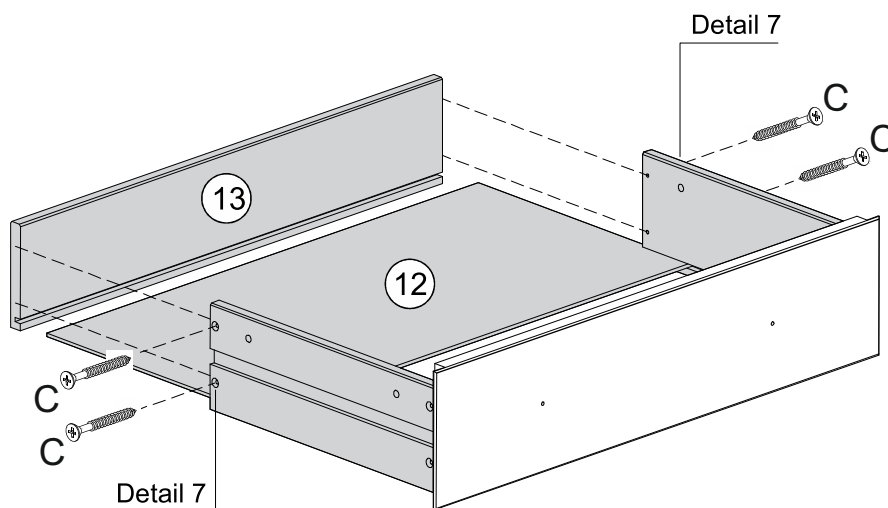
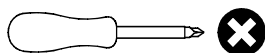
13 - DRAWER BACK x1



HARDWARE REQUIRED

C  04
Ø3,0 x 30mm

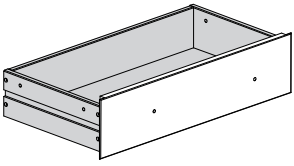
TOOLS REQUIRED



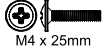

Detail 7

STEP 13

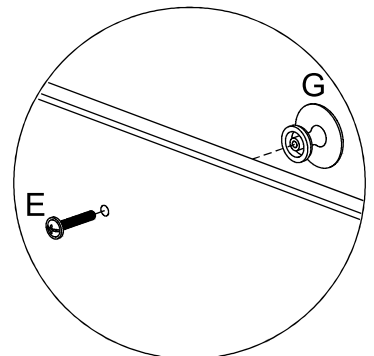
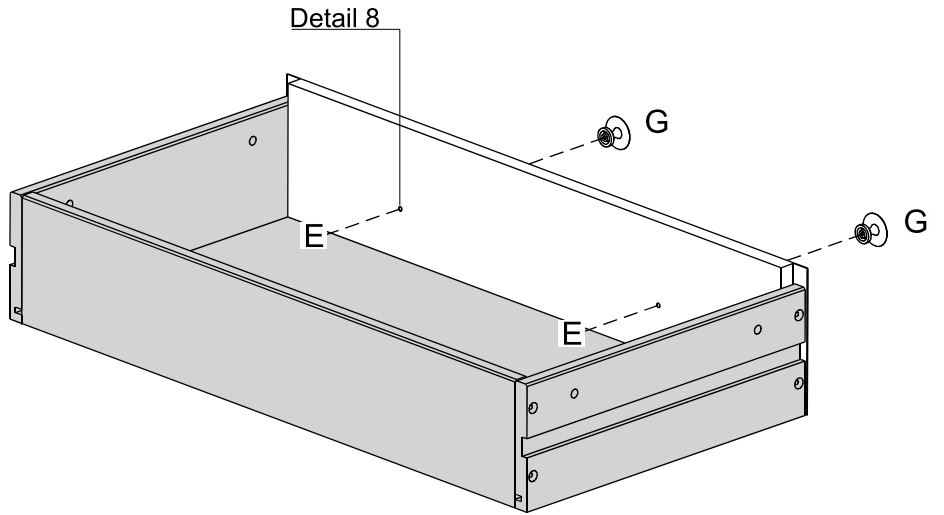
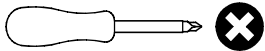
PARTS REQUIRED



HARDWARE REQUIRED

E		02
G		02

TOOLS REQUIRED

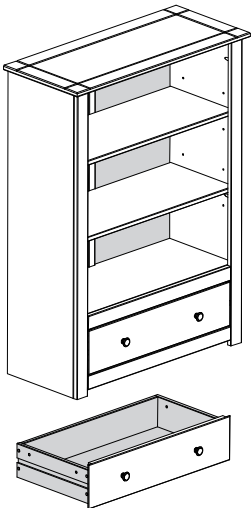


Detail 8

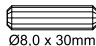
STEP 14

PARTS REQUIRED

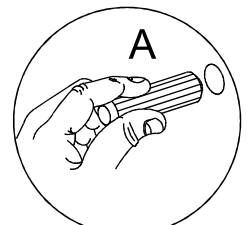
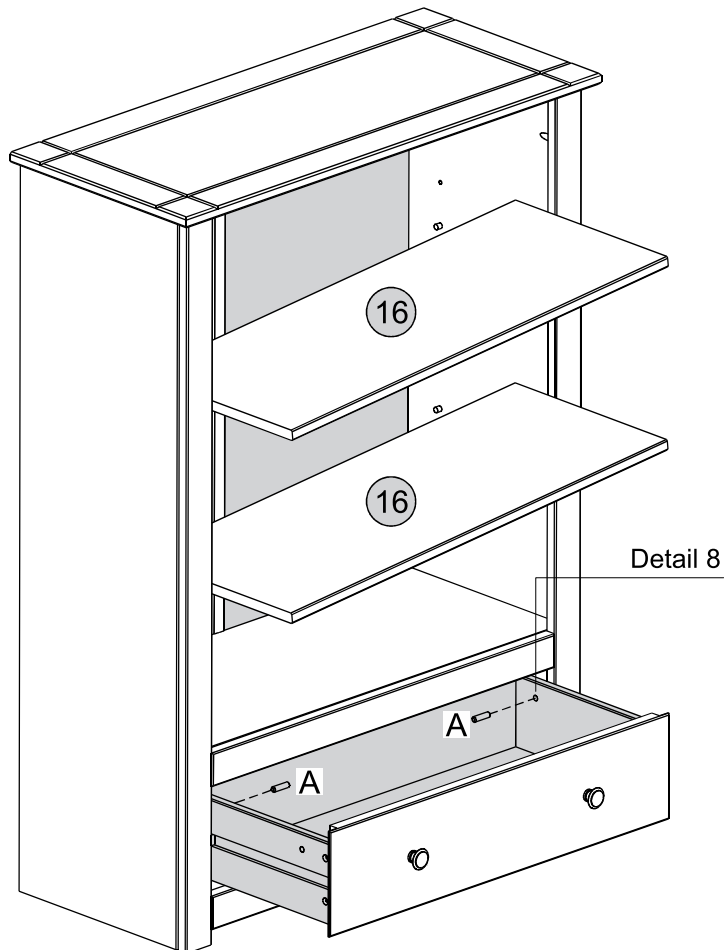
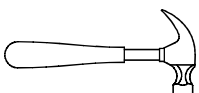
16 - SHELF	x2
------------	----



HARDWARE REQUIRED

A		02
---	---	----

TOOLS REQUIRED



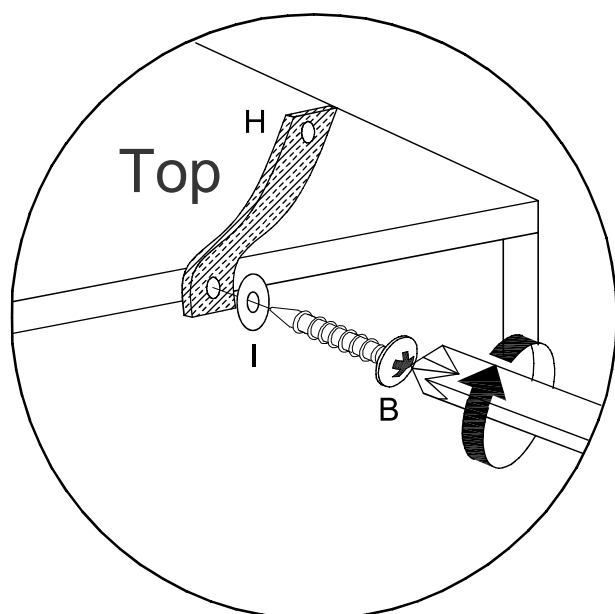
Detail 1







WARNING

Serious or fatal injuries can occur from furniture tipping over. To prevent the furniture from tipping over we recommend that it is permanently fixed to the wall.

Wall fixings are not supplied with this product as different wall materials require different types of fixing devices.

Please make sure you use fixings suitable for the walls in your home.



B			1
$\varnothing 3,5 \times 30\text{mm}$			
H			1
Strap			
I			2
Washer			

