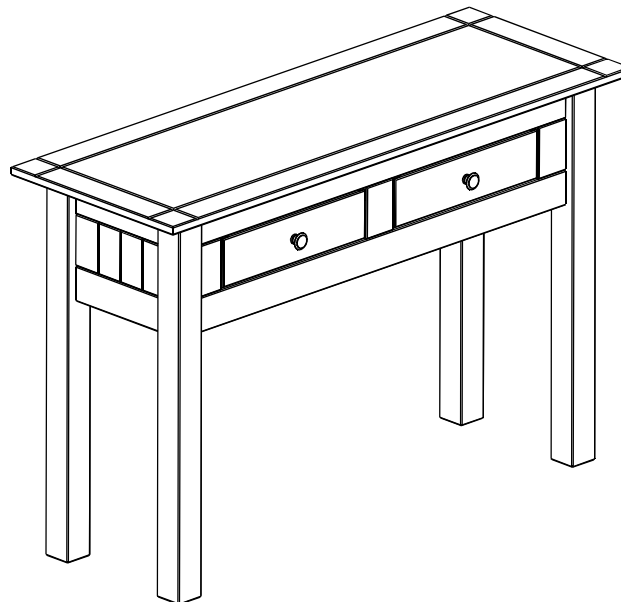


WHITE/NATURAL WAX PANAMA 2 DRAWER CONSOLE TABLE ASSEMBLY INSTRUCTIONS

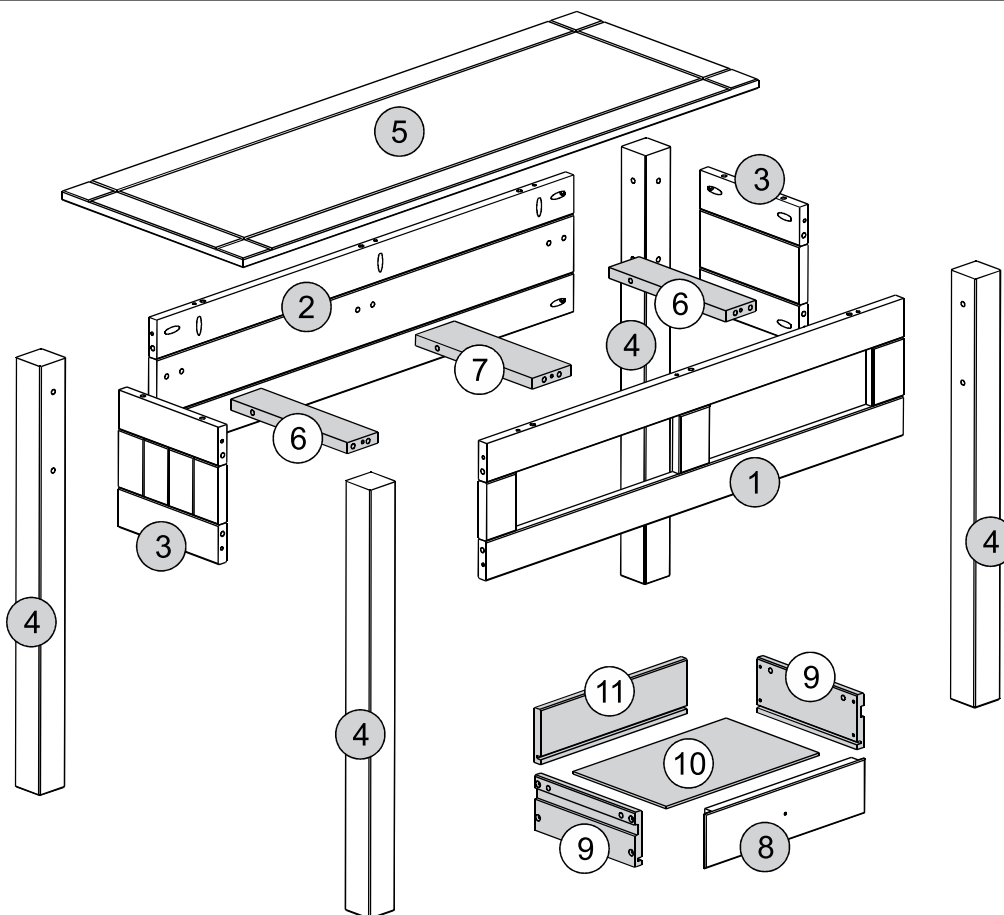


IMPORTANT FOR DOMESTIC USE ONLY

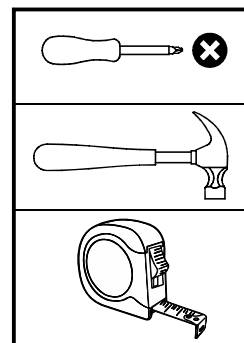
PLEASE READ BEFORE YOU CONTINUE FURTHER

CARE AND MAINTENANCE

- After unpacking this product please keep the original packaging in case it needs to be returned for any reason.
- Please ensure all fittings and parts are present before commencing with assembly.
 - Never drag or push products as this could cause damage to the joints making it inferior.
 - We strongly recommend that you keep children away from your work area.
 - We recommend that you lay a blanket or sheet on the floor to avoid damage to both your floor and the product.
 - Assemble this product as close to its final position as possible.
 - Do not place this product next to a radiator or in direct sunlight.
 - Do not drag or push items across your high gloss furniture as this may cause the surface to scratch
 - Wood is a natural product and may expand if subjected to damp and may shrink or crack if subjected to heat. Therefore it is recommended that room temperature is maintained, with no sudden temperature fluctuations.
 - Make sure any spillage is wiped off immediately.
 - Do not place hot or chilled items directly on to the surface, use a place mat or marking will occur.
 - For general cleaning use a soft cotton or micro fibre cloth, and do not use detergents of any kind.
 - From time to time it may be necessary to tighten fittings, regular inspections should be carried out.
 - Do not place on a wet or damp floor as staining may occur to your floor.



TOOLS REQUIRED



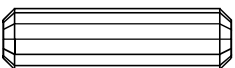



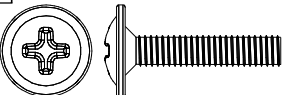

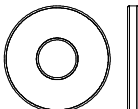
PARTS LIST

Please Note:

The below parts have all been stamped with the part number to help identify them during assembly.

Part Number	Part Code	Part Description	Quantity	Carton
1	S300-304-030-MY1-01	Front Frame	1	1/1
2	S300-304-030-MY1-02	Back Panel	1	1/1
3	S300-304-030-MY1-03	Side Panel	2	1/1
4	S300-304-030-MY1-04	Leg	4	1/1
5	S300-304-030-MY1-05	Top Panel	1	1/1
6	S300-304-030-MY1-06	Side Drawer Runner	2	1/1
7	S300-304-030-MY1-07	Centre Drawer Runner	1	1/1
8	S300-304-030-MY1-08	Drawer Front	2	1/1
9	S300-304-030-MY1-09	Drawer Side	4	1/1
10	S300-304-030-MY1-10	Drawer Bottom	2	1/1
11	S300-304-030-MY1-11	Drawer Back	2	1/1

FITTINGS LIST

<p>A</p>  <p>+/2 Dowel Ø8,0 x 30mm (40x)</p>	<p>B</p>  <p>+/2 Pan Head Screw Ø3,5 x 35mm (29x)</p>	<p>C</p>  <p>+/2 Flat Head Screw Ø3,0 x 30mm (16x)</p>	<p>D</p>  <p>Handle (2x)</p>
<p>E</p>  <p>+/1 Flan Head Screw M4 x 22mm (2x)</p>	<p>F</p>  <p>Anti - Tip - Kit (1x)</p>	<p>G</p>  <p>+/1 Washer (2x)</p>	

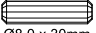
STEP 1

PARTS REQUIRED

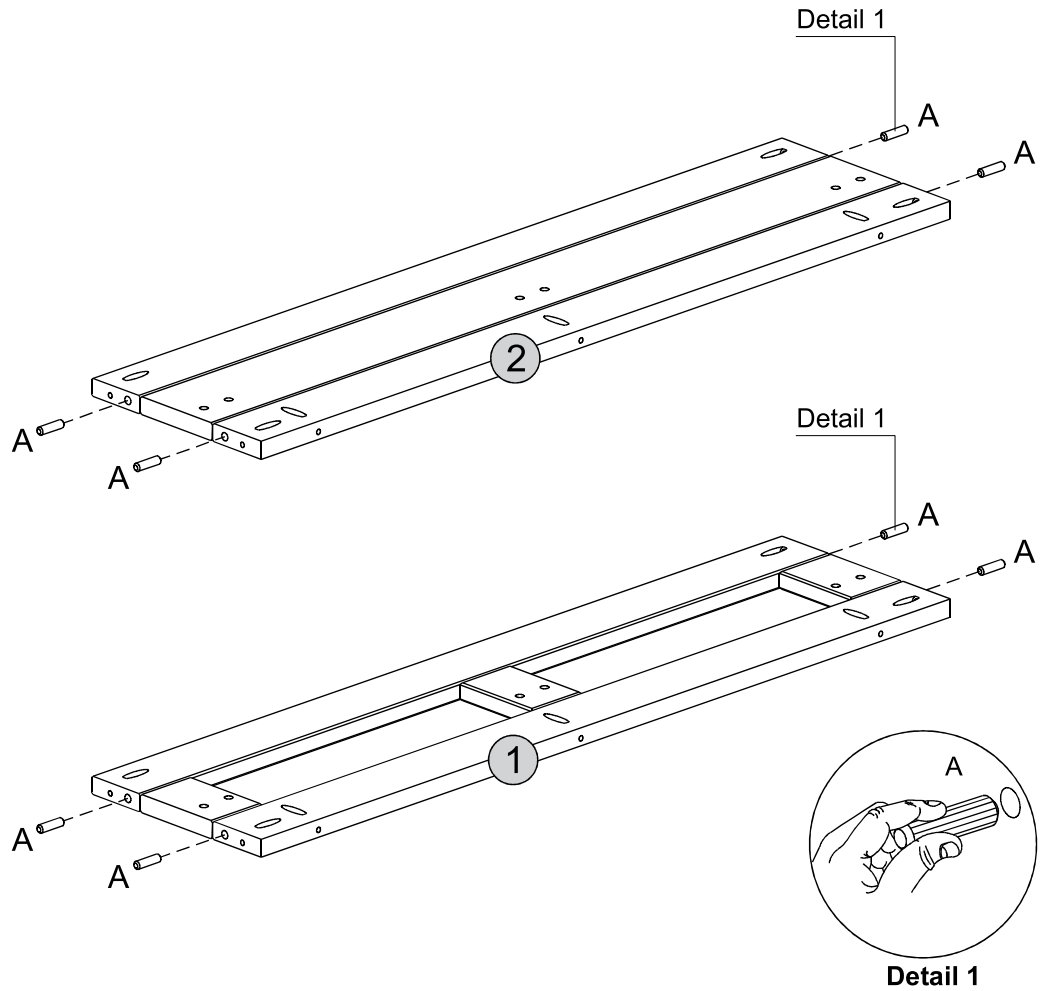
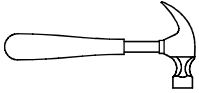
1 - FRONT FRAME x1

2 - BACK PANEL x1

HARDWARE REQUIRED

A  08
Ø8,0 x 30mm

TOOLS REQUIRED




STEP 2

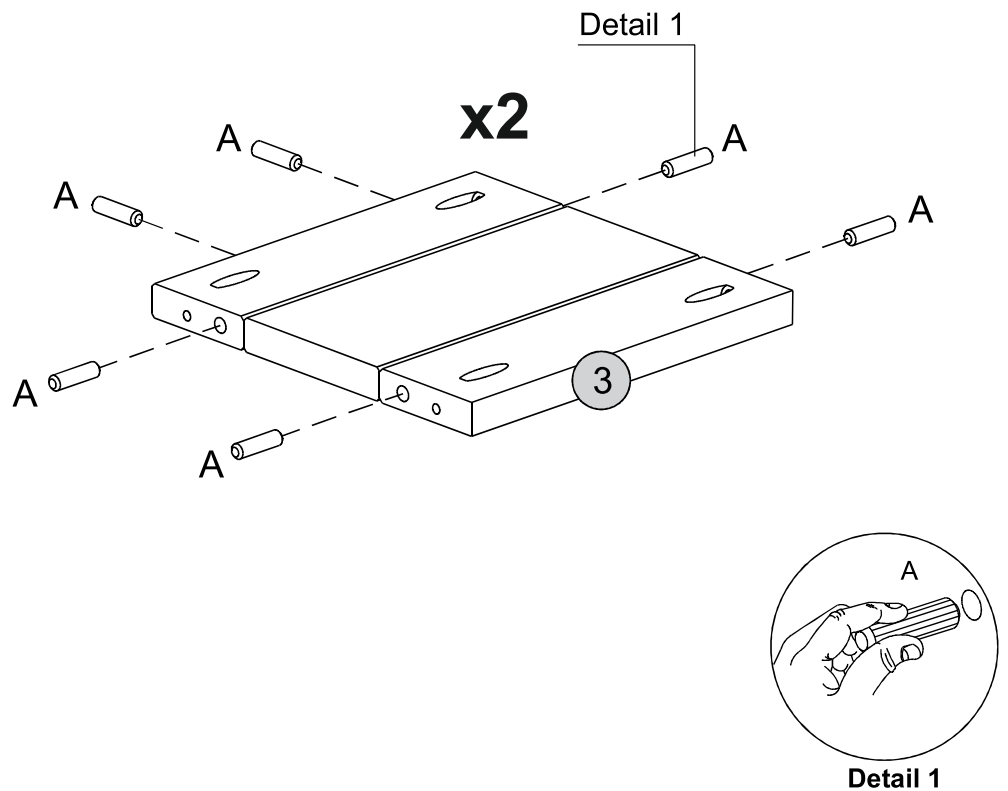
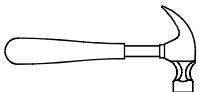
PARTS REQUIRED

3 - SIDE PANEL x2

HARDWARE REQUIRED

A  12
Ø8,0 x 30mm

TOOLS REQUIRED



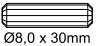
STEP 3

PARTS REQUIRED

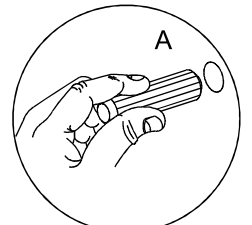
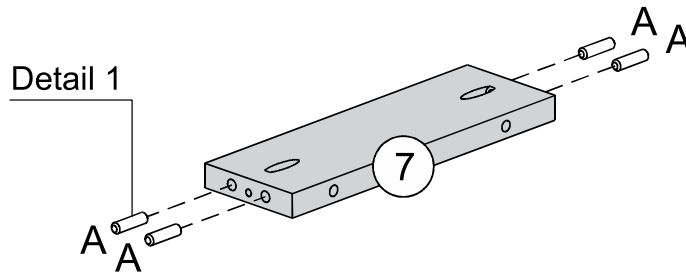
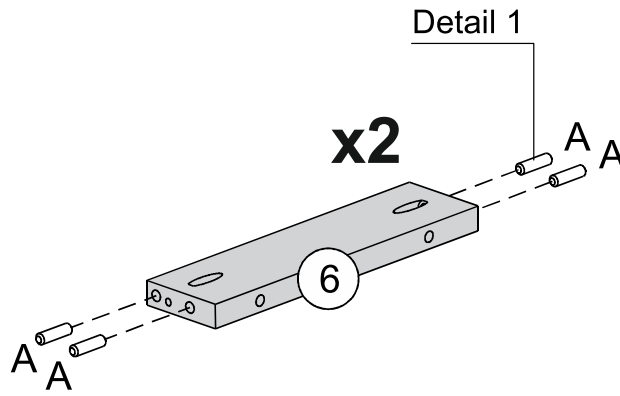
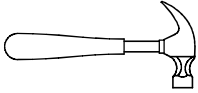
6 - SIDE DRAWER RUNNER x2

7 - CENTRE DRAWER RUNNER x1

HARDWARE REQUIRED

A  12
Ø8,0 x 30mm

TOOLS REQUIRED



Detail 1

STEP 4


PARTS REQUIRED

2 - BACK PANEL x1

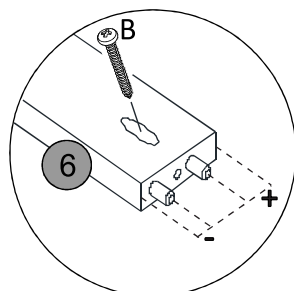
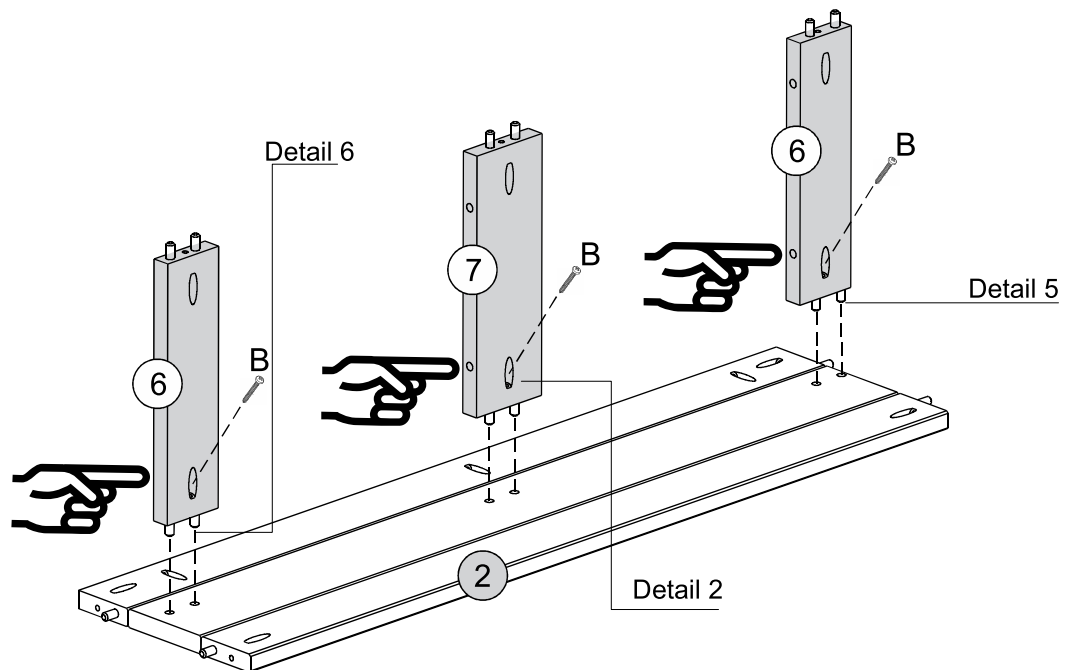
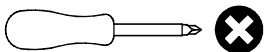
6 - SIDE DRAWER RUNNER x2

7 - CENTRE DRAWER RUNNER x1

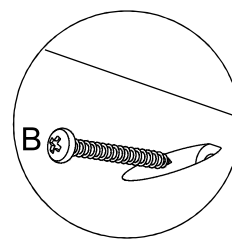
HARDWARE REQUIRED

B  03
Ø3,5 x 30mm

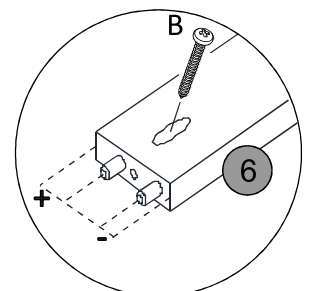
TOOLS REQUIRED



Detail 6



Detail 2

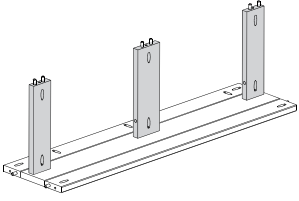


Detail 5


STEP 5

PARTS REQUIRED

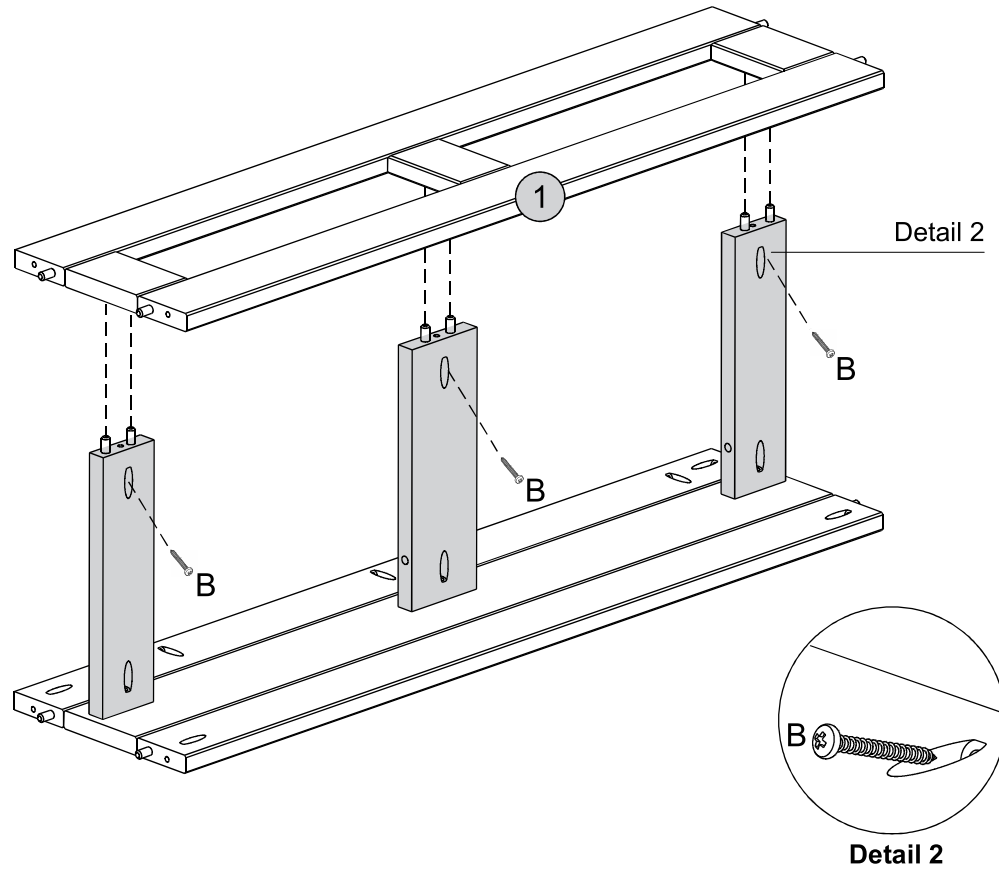
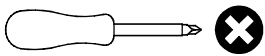
1 - FRONT FRAME x1



HARDWARE REQUIRED

B  03
Ø3,5 x 30mm

TOOLS REQUIRED




STEP 6

PARTS REQUIRED

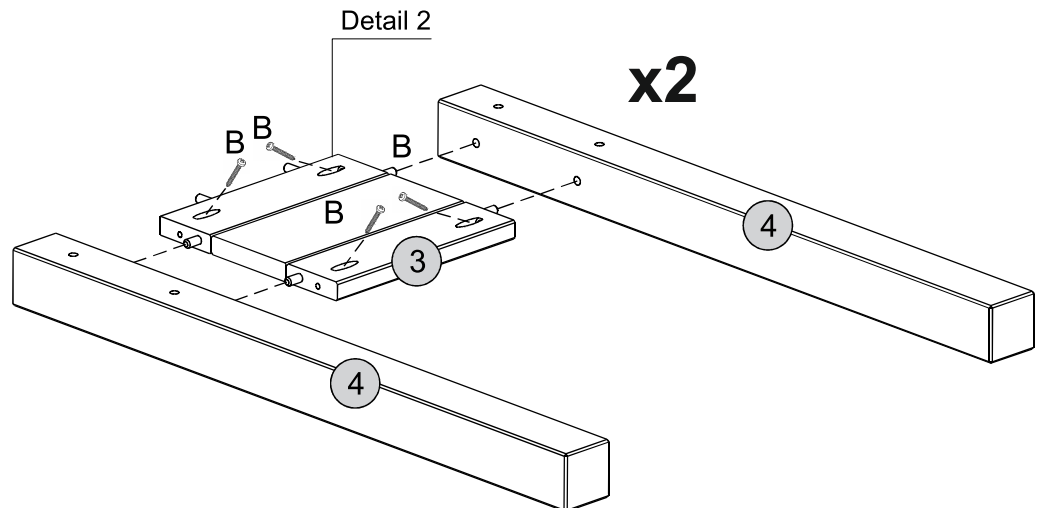
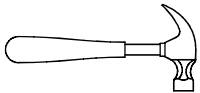
3 - SIDE PANEL x2

4 - LEG x4

HARDWARE REQUIRED

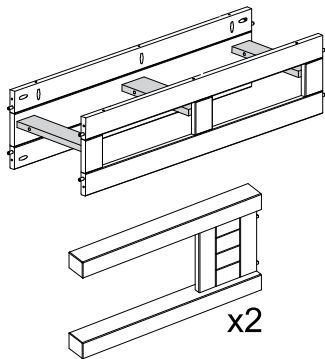
B  08
Ø3,5 x 30mm

TOOLS REQUIRED

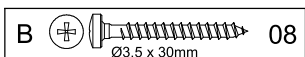


STEP 7

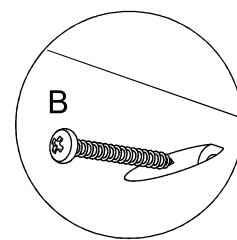
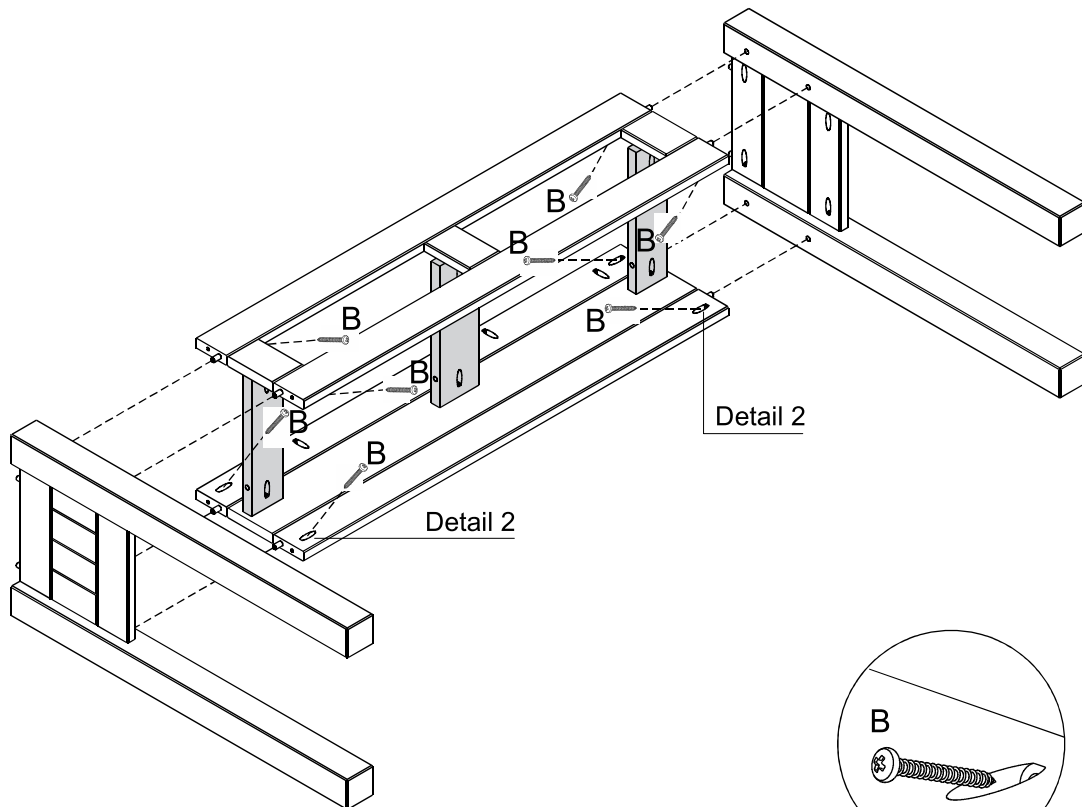
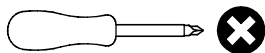
PARTS REQUIRED



HARDWARE REQUIRED



TOOLS REQUIRED

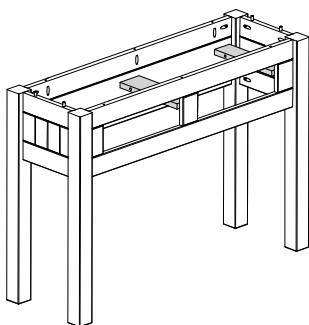


Detail 2

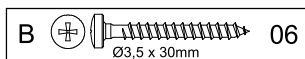
STEP 8

PARTS REQUIRED

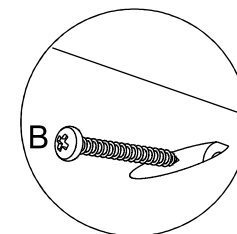
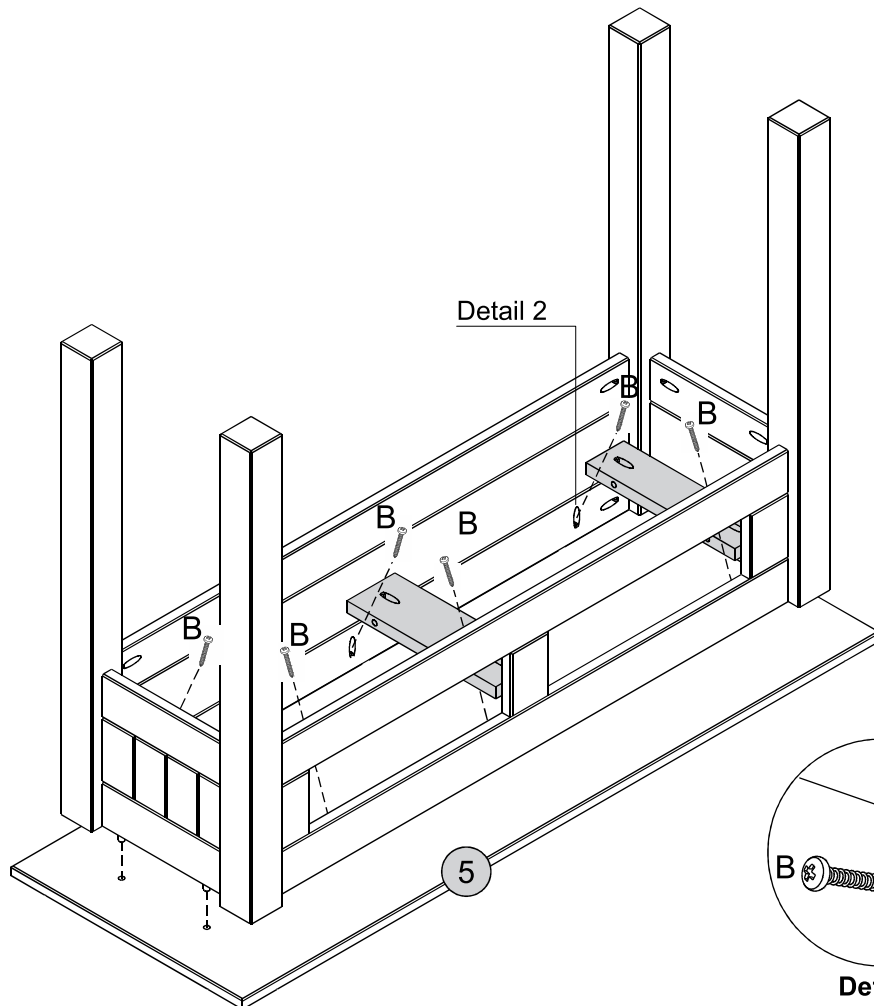
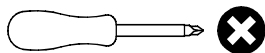
5 - TOP PANEL x1



HARDWARE REQUIRED



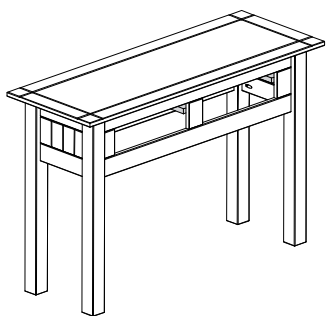
TOOLS REQUIRED



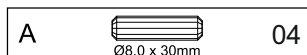
Detail 2

STEP 9

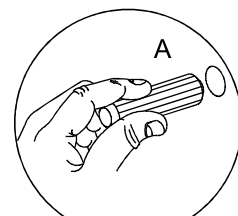
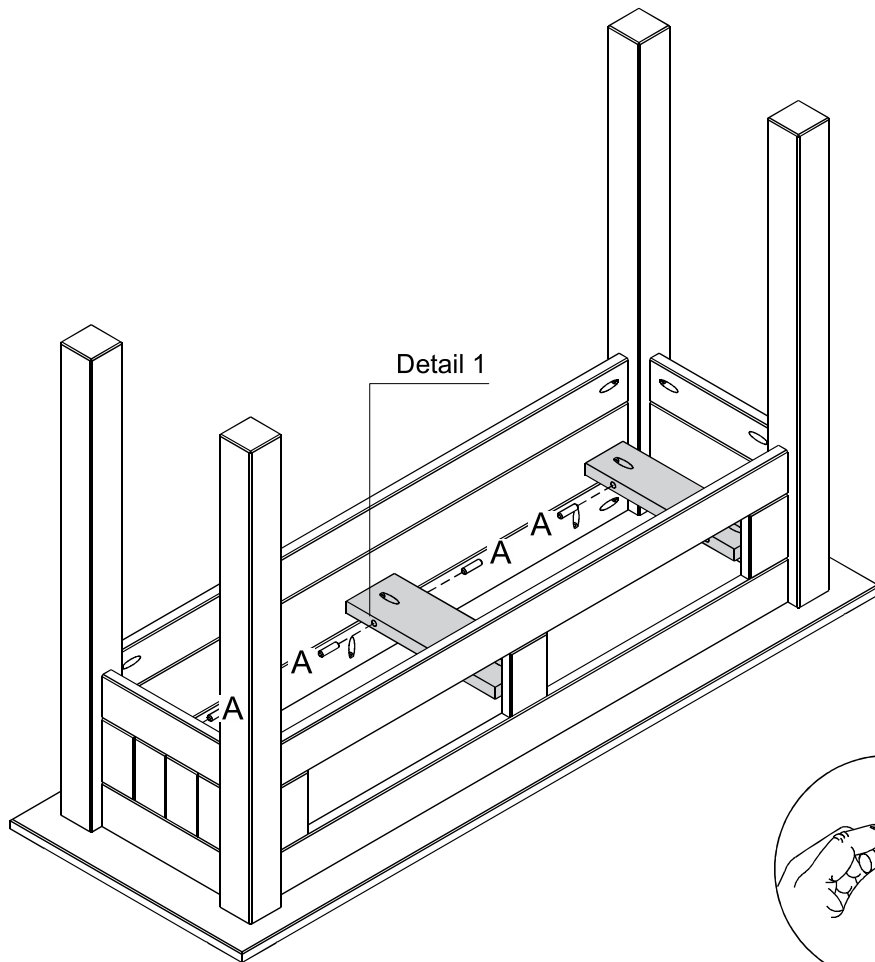
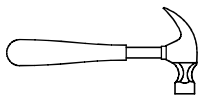
PARTS REQUIRED



HARDWARE REQUIRED



TOOLS REQUIRED



Detail 1

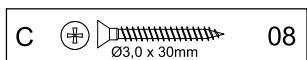
STEP 10

PARTS REQUIRED

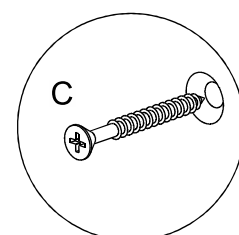
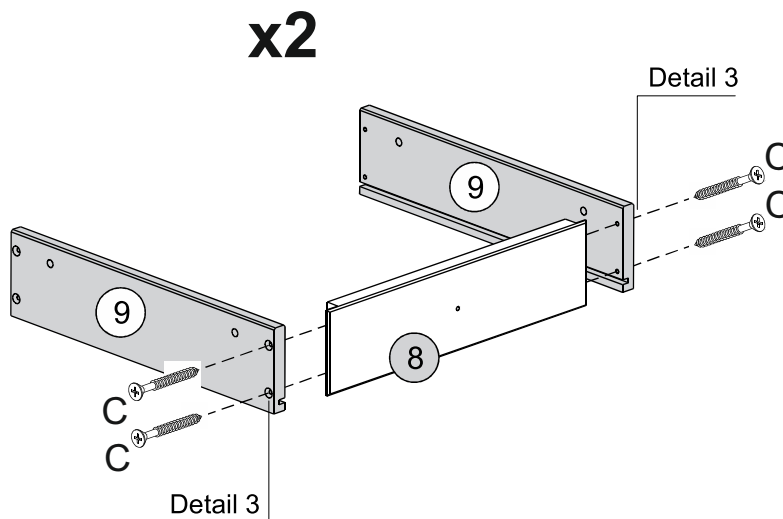
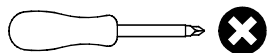
8 - DRAWER FRONT	x2
------------------	----

9 - DRAWER SIDE	x4
-----------------	----

HARDWARE REQUIRED



TOOLS REQUIRED



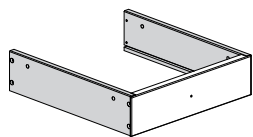
Detail 3

STEP 11


PARTS REQUIRED

10 - DRAWER BOTTOM x2

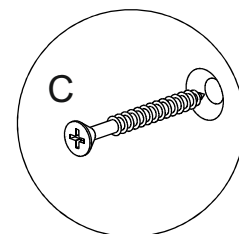
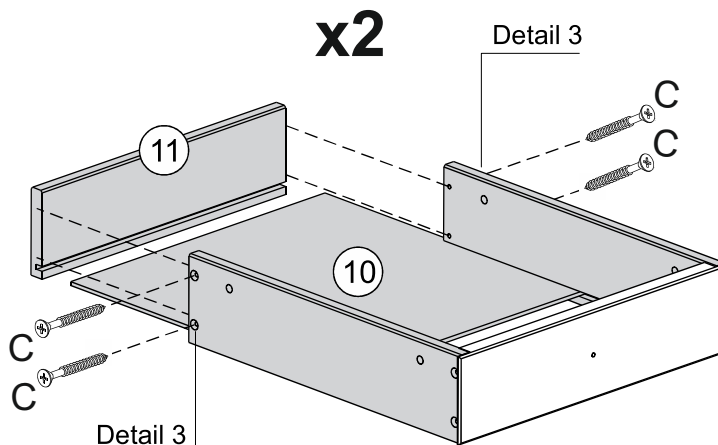
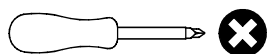
11 - DRAWER BACK x2



HARDWARE REQUIRED

C  Ø3,0 x 30mm 08

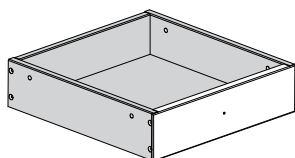
TOOLS REQUIRED



Detail 3

STEP 12

PARTS REQUIRED

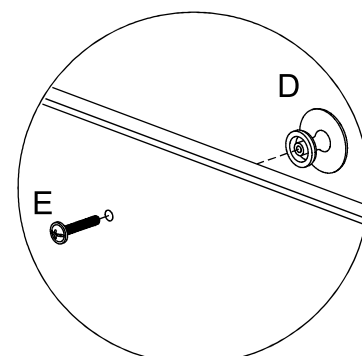
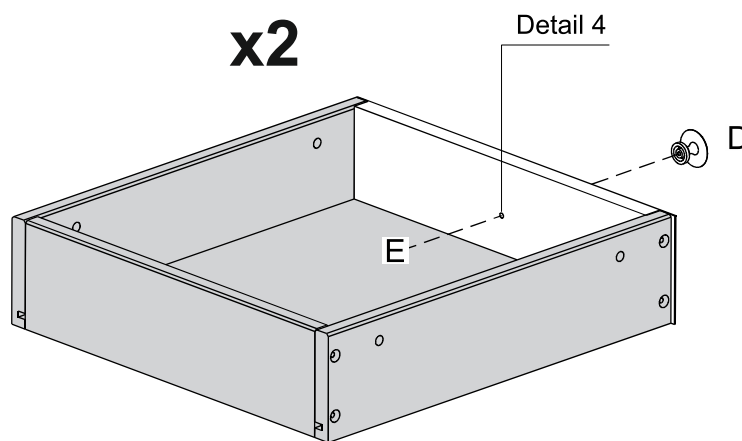
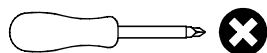


HARDWARE REQUIRED

D  02

E  M4 x 22mm 02

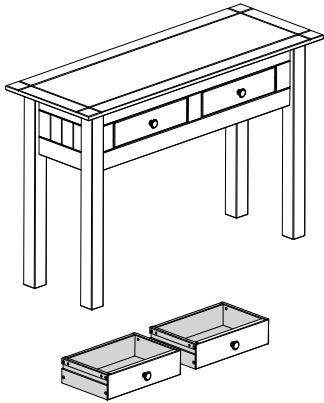
TOOLS REQUIRED



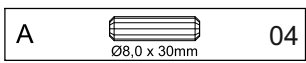
Detail 4

STEP 13

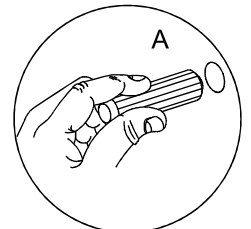
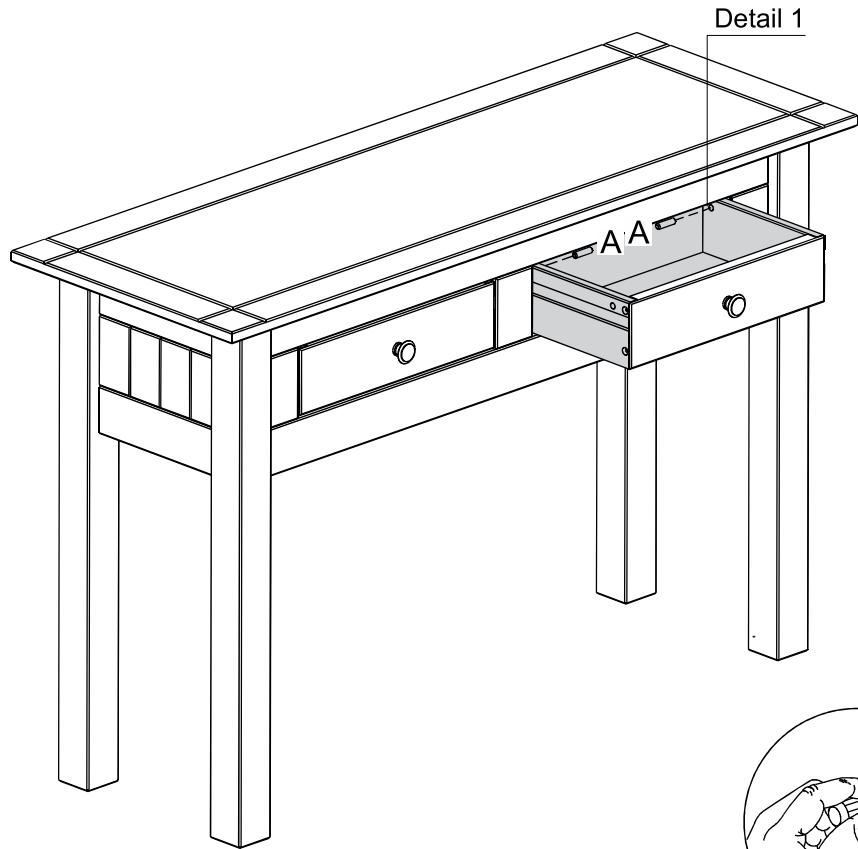
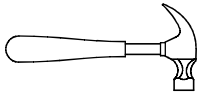
PARTS REQUIRED



HARDWARE REQUIRED



TOOLS REQUIRED

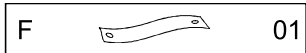
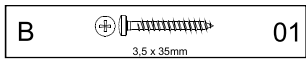


Detail 1

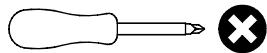
STEP 14

PARTS REQUIRED

HARDWARE REQUIRED



TOOLS REQUIRED



WARNING

Serious or fatal injuries can occur from furniture tipping over. To prevent the furniture from tipping over we recommend that it is permanently fixed to the wall.

Wall fixings are not supplied with this product as different wall materials require different types of fixing devices. Please make sure you use fixings suitable for the walls in your home.

