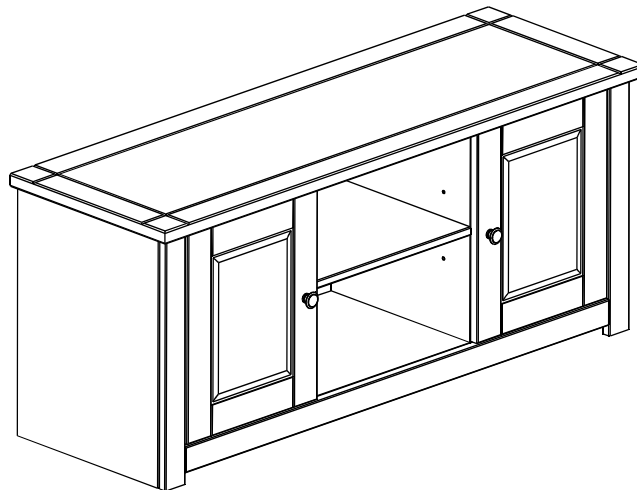


WHITE/NATURAL WAX PANAMA FLAT SCREEN TV UNIT ASSEMBLY INSTRUCTIONS



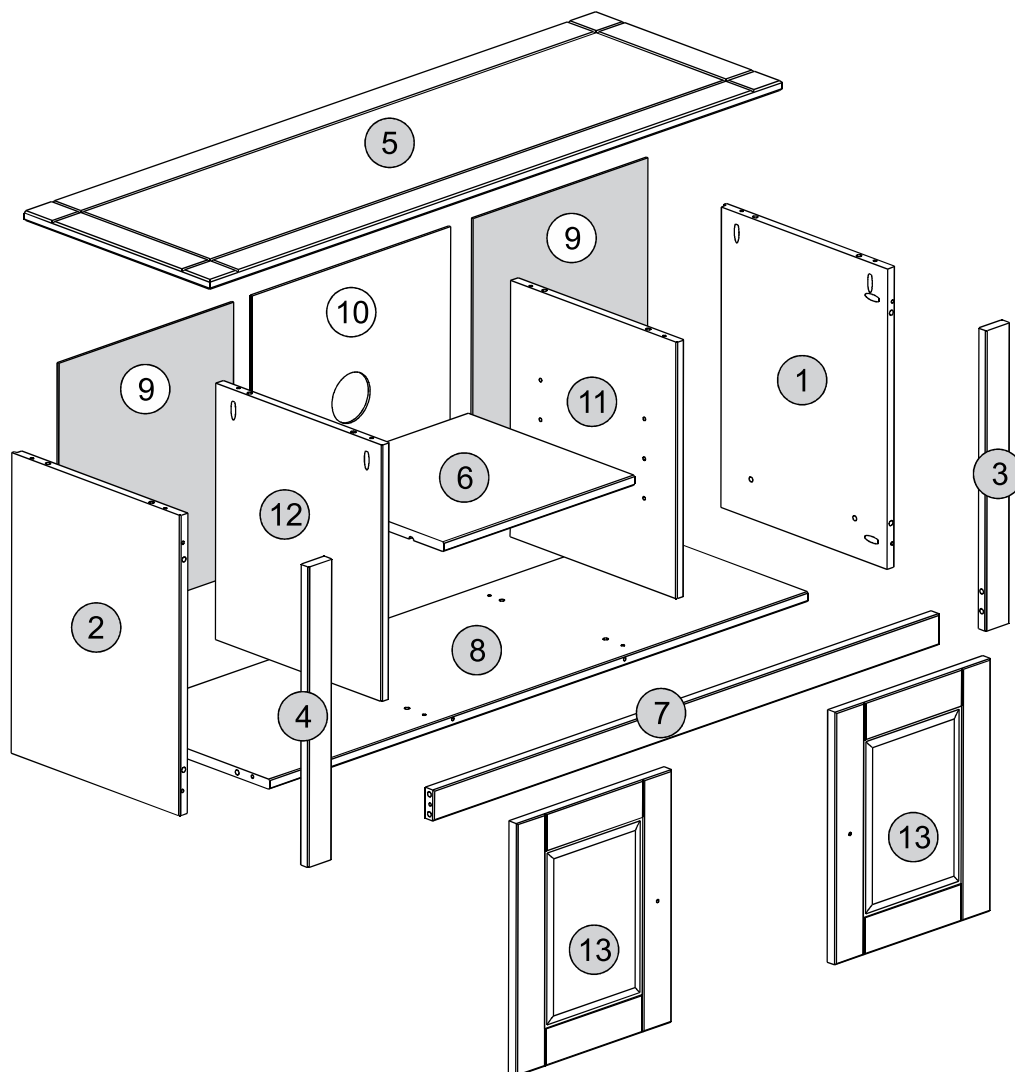
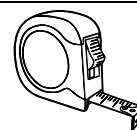
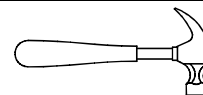
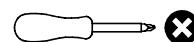
IMPORTANT FOR DOMESTIC USE ONLY

PLEASE READ BEFORE YOU CONTINUE FURTHER

CARE AND MAINTENANCE

- After unpacking this product please keep the original packaging in case it needs to be returned for any reason.
- Please ensure all fittings and parts are present before commencing with assembly.
 - Never drag or push products as this could cause damage to the joints making it inferior.
 - We strongly recommend that you keep children away from your work area.
 - We recommend that you lay a blanket or sheet on the floor to avoid damage to both your floor and the product.
 - Assemble this product as close to its final position as possible.
 - Do not place this product next to a radiator or in direct sunlight.
 - Do not drag or push items across your high gloss furniture as this may cause the surface to scratch
 - Wood is a natural product and may expand if subjected to damp and may shrink or crack if subjected to heat. Therefore it is recommended that room temperature is maintained, with no sudden temperature fluctuations.
 - Make sure any spillage is wiped off immediately.
 - Do not place hot or chilled items directly on to the surface, use a place mat or marking will occur.
 - For general cleaning use a soft cotton or micro fibre cloth, and do not use detergents of any kind.
 - From time to time it may be necessary to tighten fittings, regular inspections should be carried out.
 - Do not place on a wet or damp floor as staining may occur to your floor.

TOOLS REQUIRED



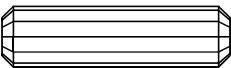


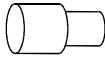
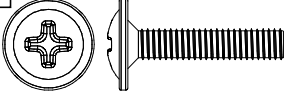

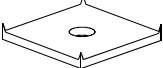
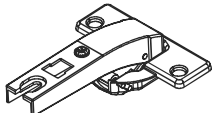

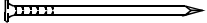
PARTS LIST

Please Note:

The below parts have all been stamped with the part number to help identify them during assembly.

Part Number	Part Code	Part Description	Quantity	Carton
1	S300-305-053-MY1-01	Right Side Panel	1	1/1
2	S300-305-053-MY1-02	Left Side Panel	1	1/1
3	S300-305-053-MY1-03	Right Front Upright	1	1/1
4	S300-305-053-MY1-04	Left Front Upright	1	1/1
5	S300-305-053-MY1-05	Top Panel	1	1/1
6	S300-305-053-MY1-06	Shelf	1	1/1
7	S300-305-053-MY1-07	Front Crossbeam	1	1/1
8	S300-305-053-MY1-08	Base	1	1/1
9	S300-305-053-MY1-09	Back Side Panel	2	1/1
10	S300-305-053-MY1-10	Back Centre Panel	1	1/1
11	S300-305-053-MY1-11	Right Division Panel	1	1/1
12	S300-305-053-MY1-12	Left Division Panel	1	1/1
13	S300-305-053-MY1-13	Door	2	1/1

FITTINGS LIST

<p>A</p>  <p>+/2 Dowel Ø8,0 x 30mm (24x)</p>	<p>B</p>  <p>+/2 Pan Head Screw Ø3,5 x 30mm (24x)</p>	<p>C</p>  <p>+/2 Flat Head Screw Ø3,5 x 14mm (16x)</p>	<p>D</p>  <p>+/1 Plastic Support (4x)</p>
<p>E</p>  <p>+/1 Flan Head Screw M4 x 22mm (2x)</p>	<p>F</p>  <p>Handle (2x)</p>	<p>G</p>  <p>+/1 Catcher (4x)</p>	<p>H</p>  <p>Hinge (Right) (4x)</p>
<p>I</p>  <p>Hinge (Left) (4x)</p>	<p>J</p>  <p>+/2 Nail 10x10 (26x)</p>		

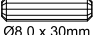
STEP 1

PARTS REQUIRED

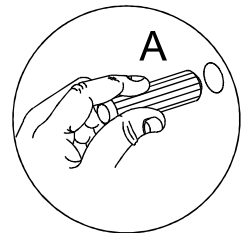
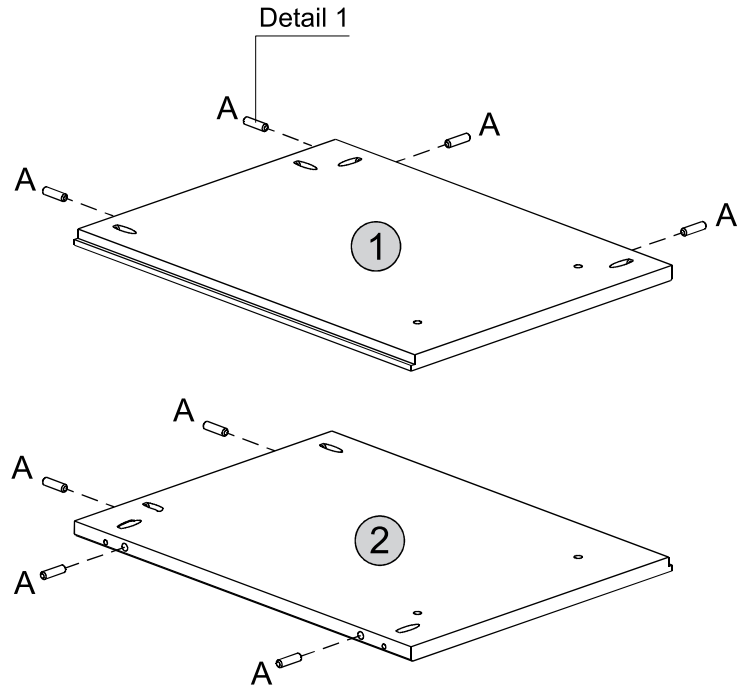
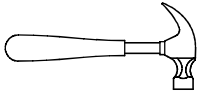
1 - RIGHT SIDE PANEL x1

2 - LEFT SIDE PANEL x1

HARDWARE REQUIRED

A  08
Ø8,0 x 30mm

TOOLS REQUIRED



Detail 1

STEP 2

PARTS REQUIRED

1 - RIGHT SIDE PANEL x1

2 - LEFT SIDE PANEL x1

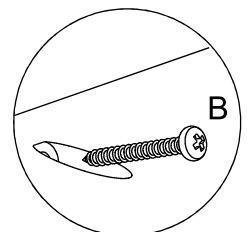
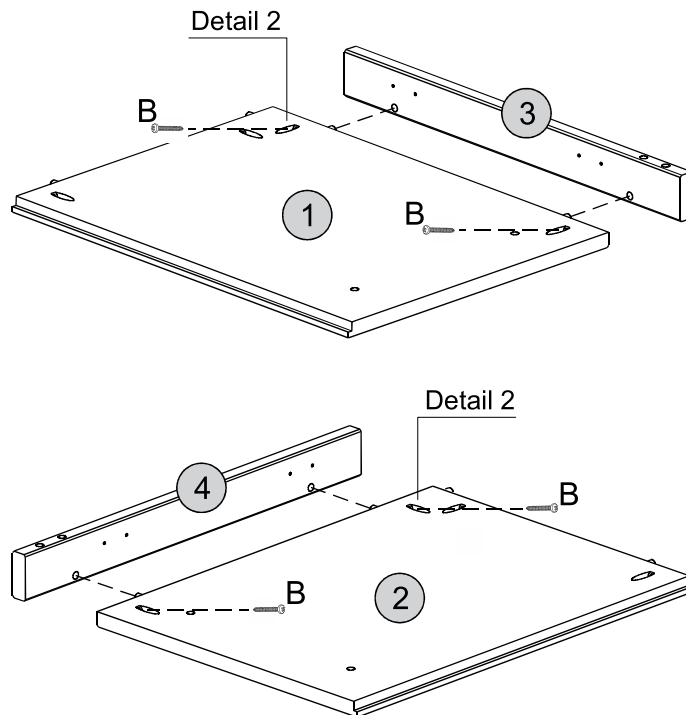
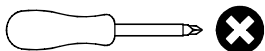
3 - RIGHT FRONT UPRIGHT x1

4 - LEFT FRONT UPRIGHT x1

HARDWARE REQUIRED

B  04
Ø3,5 x 30mm

TOOLS REQUIRED



Detail 2

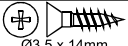
STEP 3

PARTS REQUIRED

1 - RIGHT SIDE PANEL x1

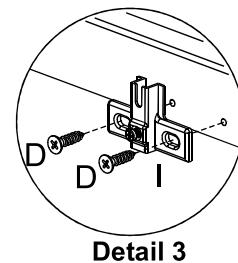
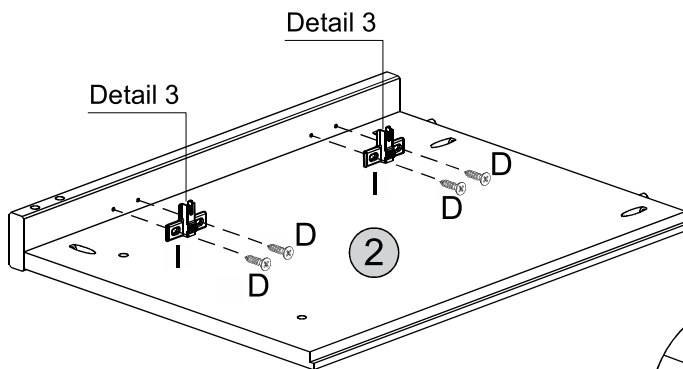
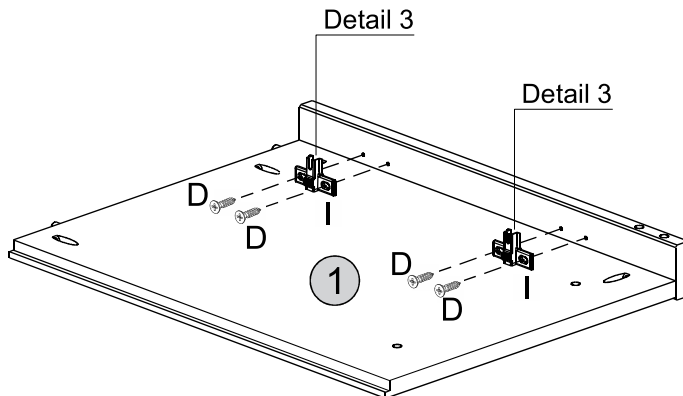
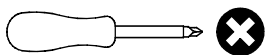
2 - LEFT SIDE PANEL x1

HARDWARE REQUIRED

D  08
Ø3,5 x 14mm

I  04
Hinge

TOOLS REQUIRED



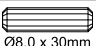
STEP 4

PARTS REQUIRED

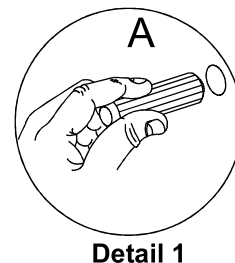
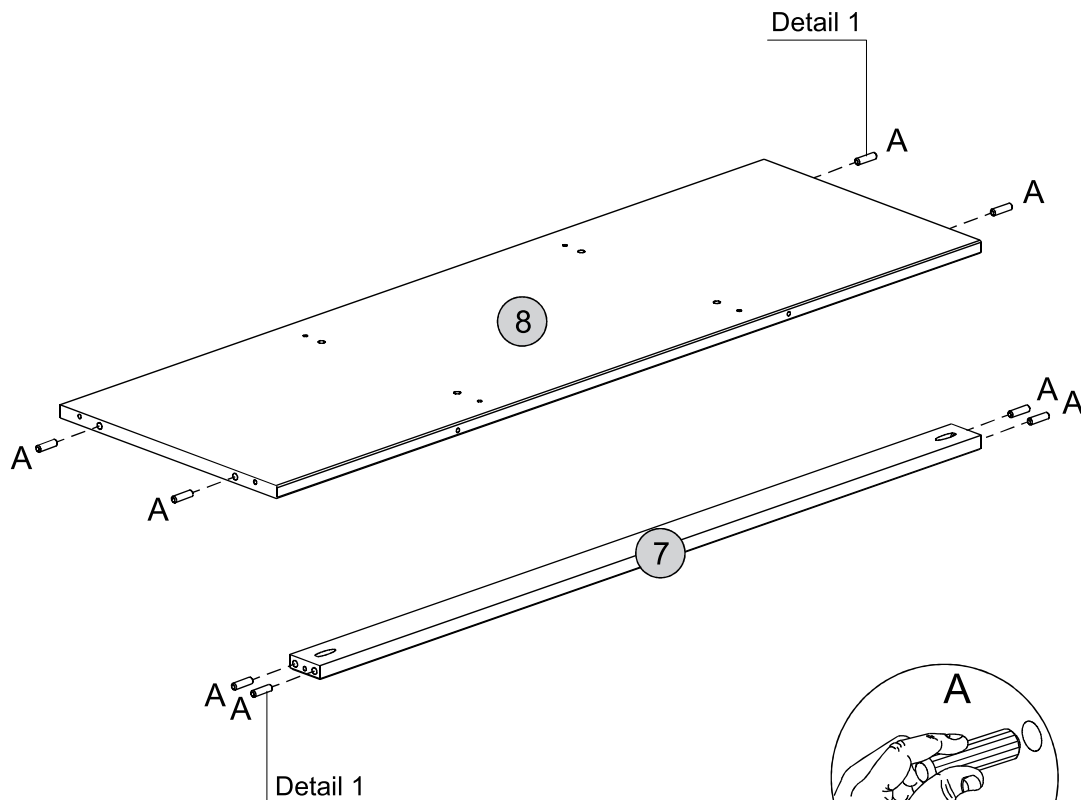
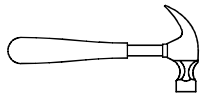
7 - FRONT CROSSBEAM x1

8 - BASE x1

HARDWARE REQUIRED

A  08
Ø8,0 x 30mm

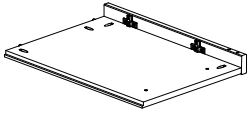
TOOLS REQUIRED




STEP 5

PARTS REQUIRED

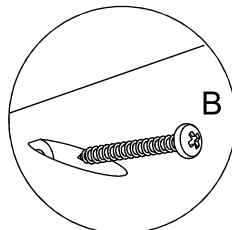
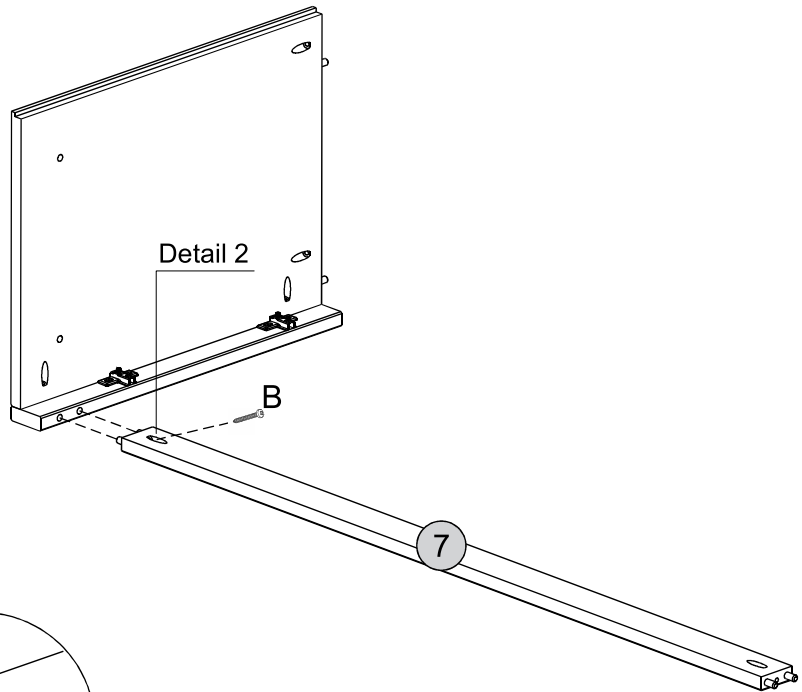
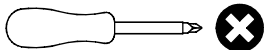
7 - FRONT CROSSBEAM x1



HARDWARE REQUIRED

B  01
Ø3,5 x 30mm

TOOLS REQUIRED

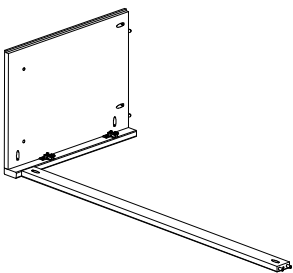


Detail 2


STEP 6

PARTS REQUIRED

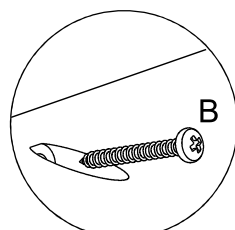
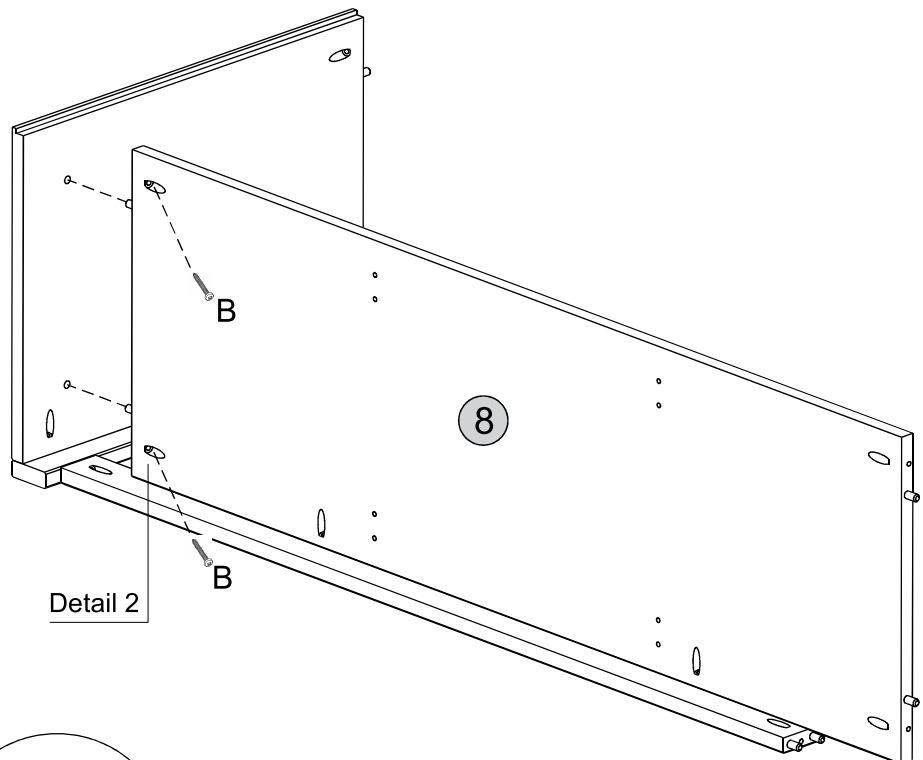
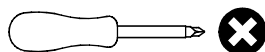
8 - BASE x1



HARDWARE REQUIRED

B  02
Ø3,5 x 30mm

TOOLS REQUIRED

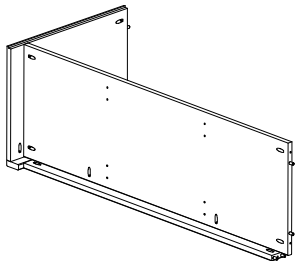


Detail 2


STEP 7

PARTS REQUIRED

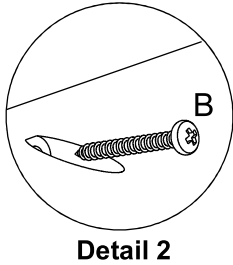
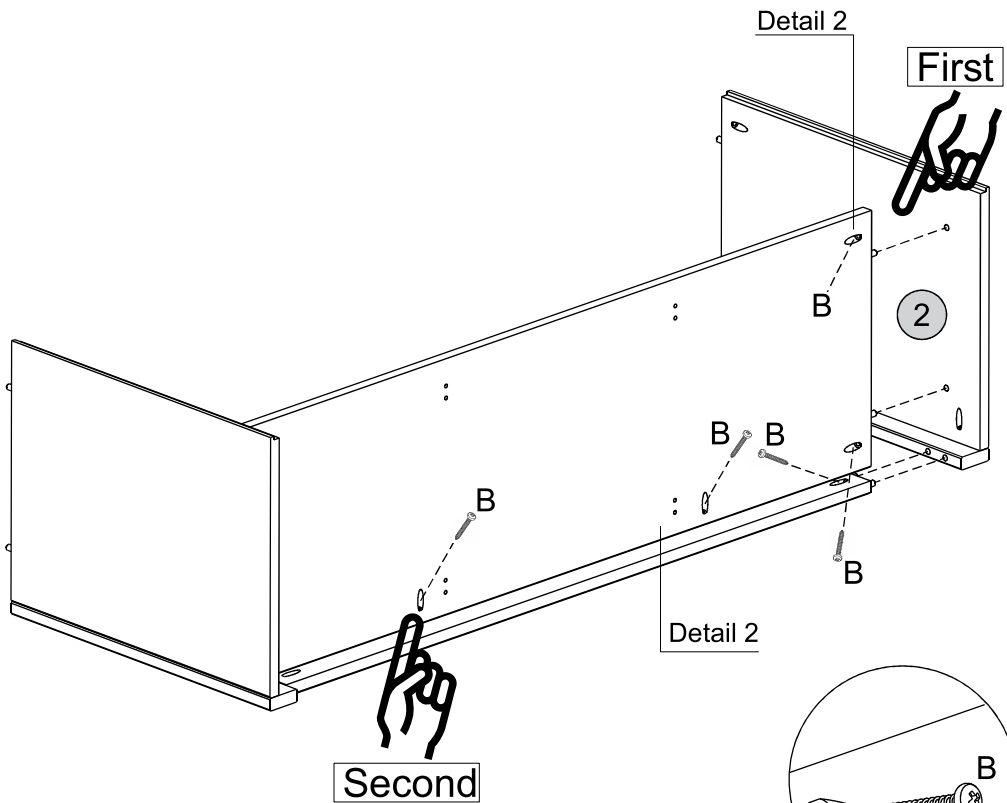
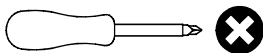
2 - LEFT SIDE PANEL x1



HARDWARE REQUIRED

B  05
Ø3,5 x 30mm

TOOLS REQUIRED




STEP 8


PARTS REQUIRED

11 - RIGHT DIVISION PANEL x1

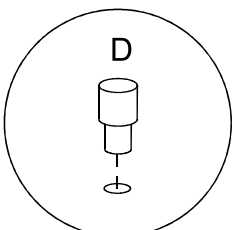
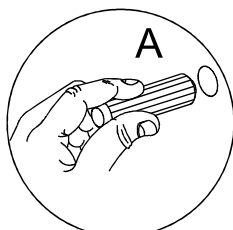
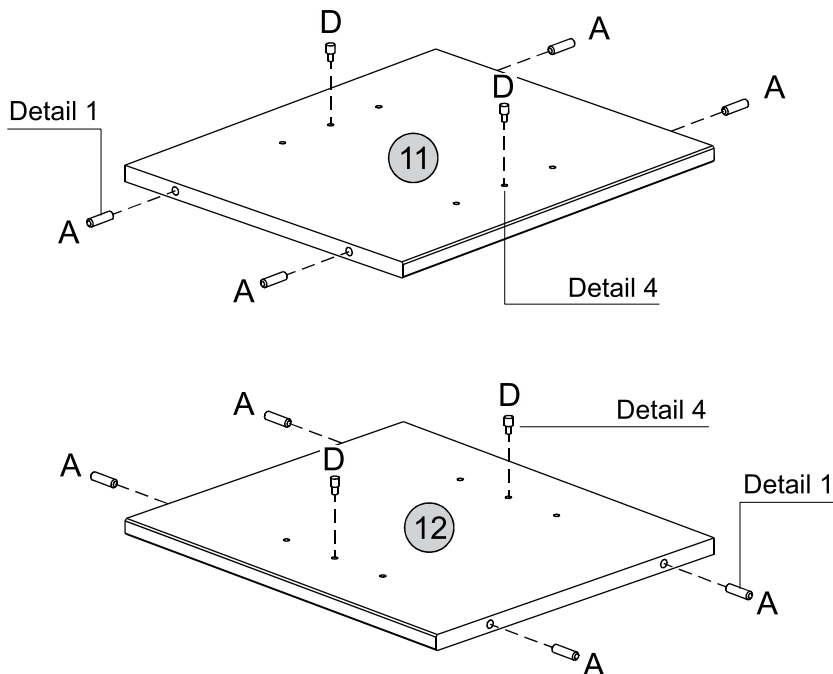
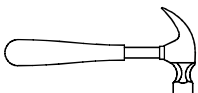
12 - LEFT DIVISION PANEL x1

HARDWARE REQUIRED

A  08
Ø8,0 x 30mm

D  04
Plastic Support

TOOLS REQUIRED



Detail 1

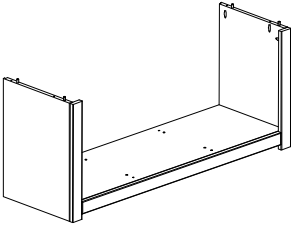
Detail 4

STEP 9

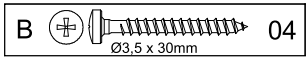
PARTS REQUIRED

11 - RIGHT DIVISION PANEL x1

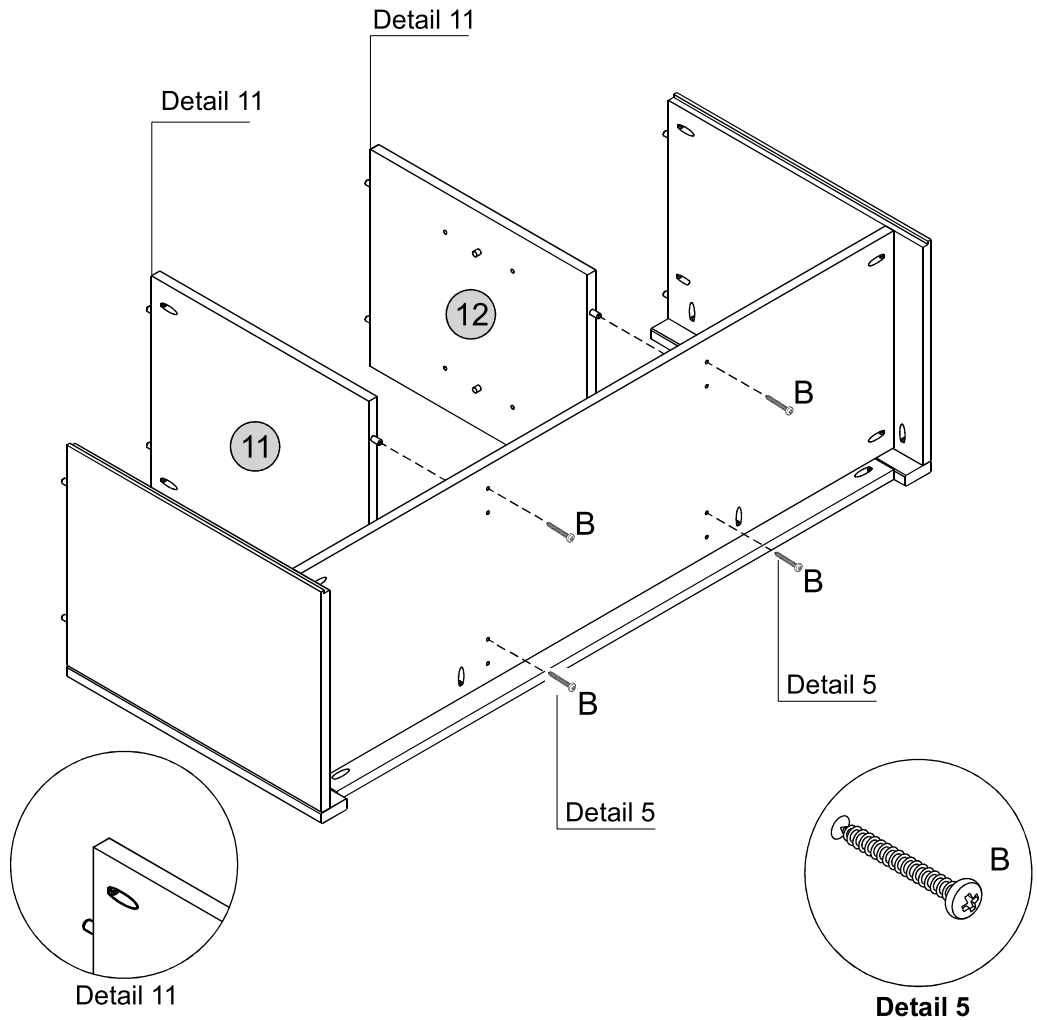
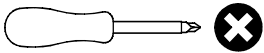
12 - LEFT DIVISION PANEL x1



HARDWARE REQUIRED



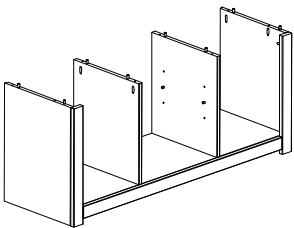
TOOLS REQUIRED



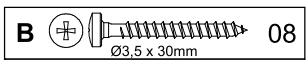
STEP 10

PARTS REQUIRED

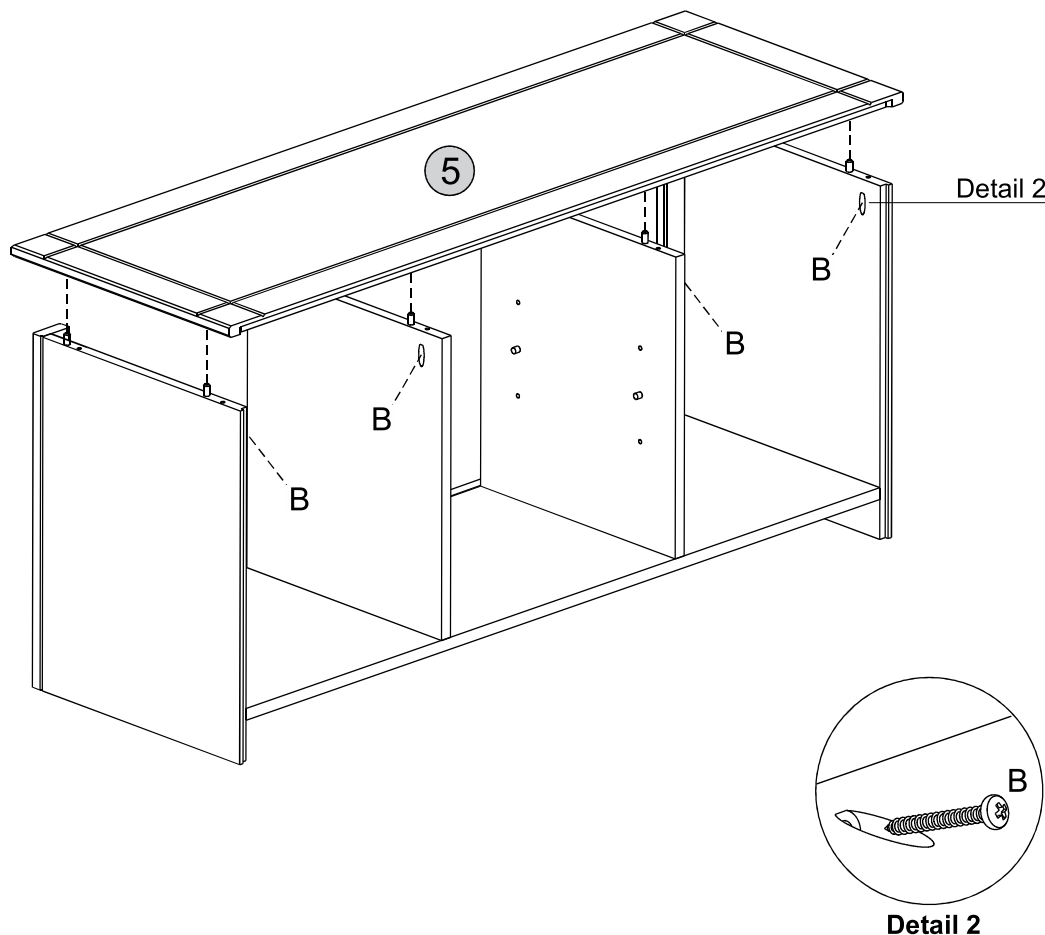
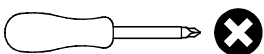
5 - TOP PANEL x1



HARDWARE REQUIRED



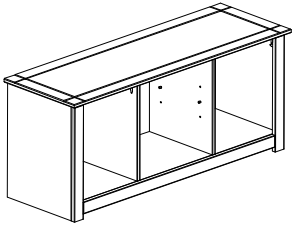
TOOLS REQUIRED



STEP 11

PARTS REQUIRED

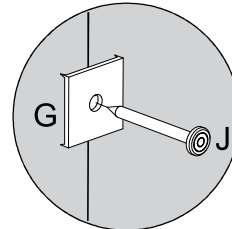
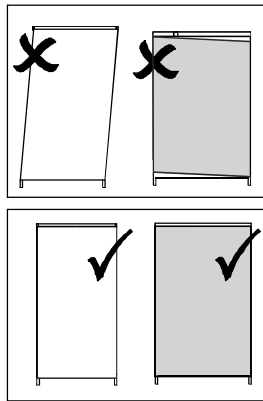
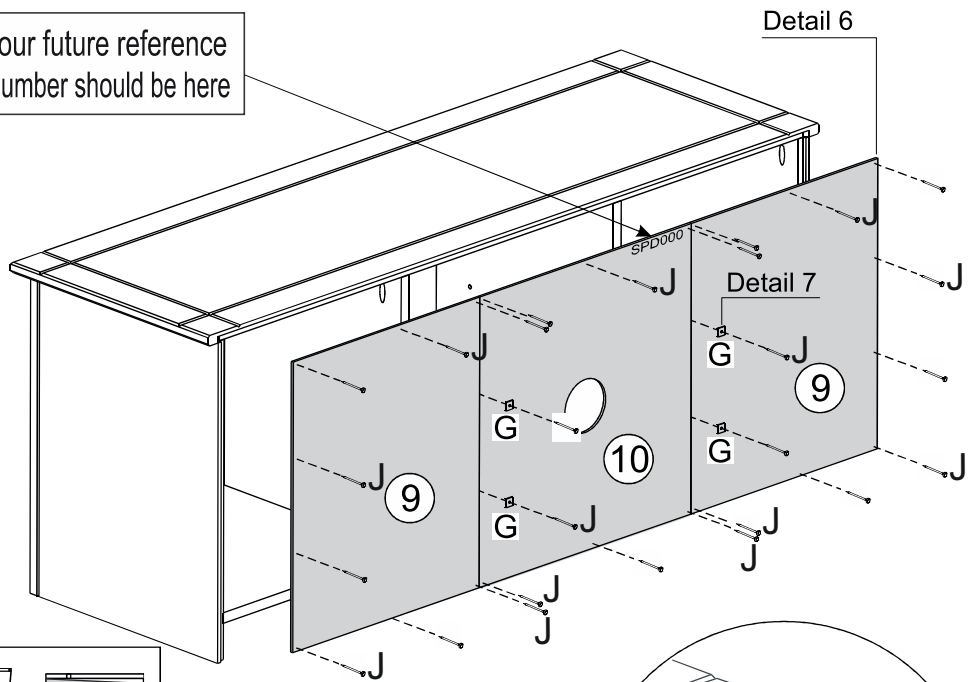
9 - BACK PANEL	x2
10 - BACK CENTRE PANEL	x1



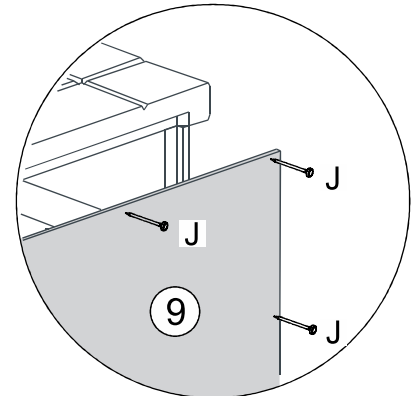
HARDWARE REQUIRED

J		26
G		04

* For your future reference
Order Number should be here



Detail 7



Detail 6

STEP 12

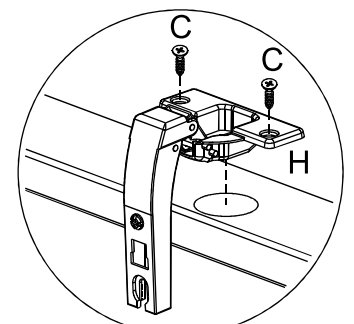
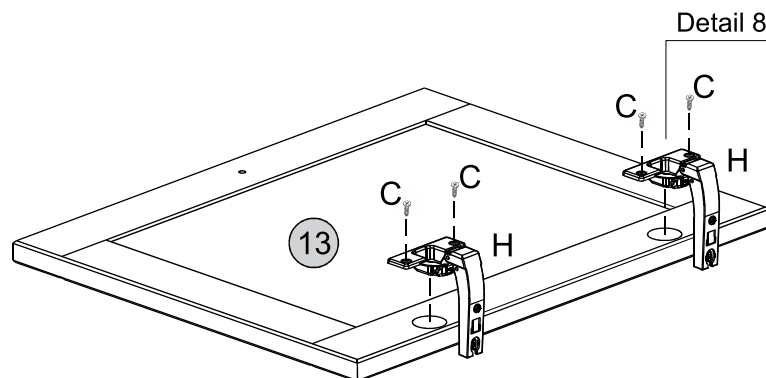
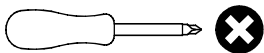
PARTS REQUIRED

13 - DOOR	x2
-----------	----

HARDWARE REQUIRED

C		08
H		04

TOOLS REQUIRED



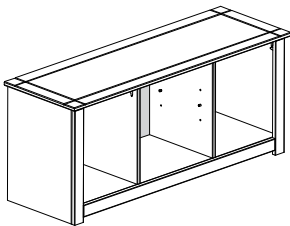
Detail 8

STEP 13

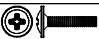
PARTS REQUIRED

6 - SHELF x1

20 - DOOR x2

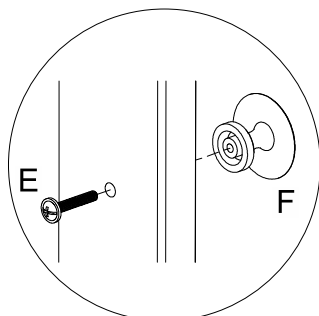
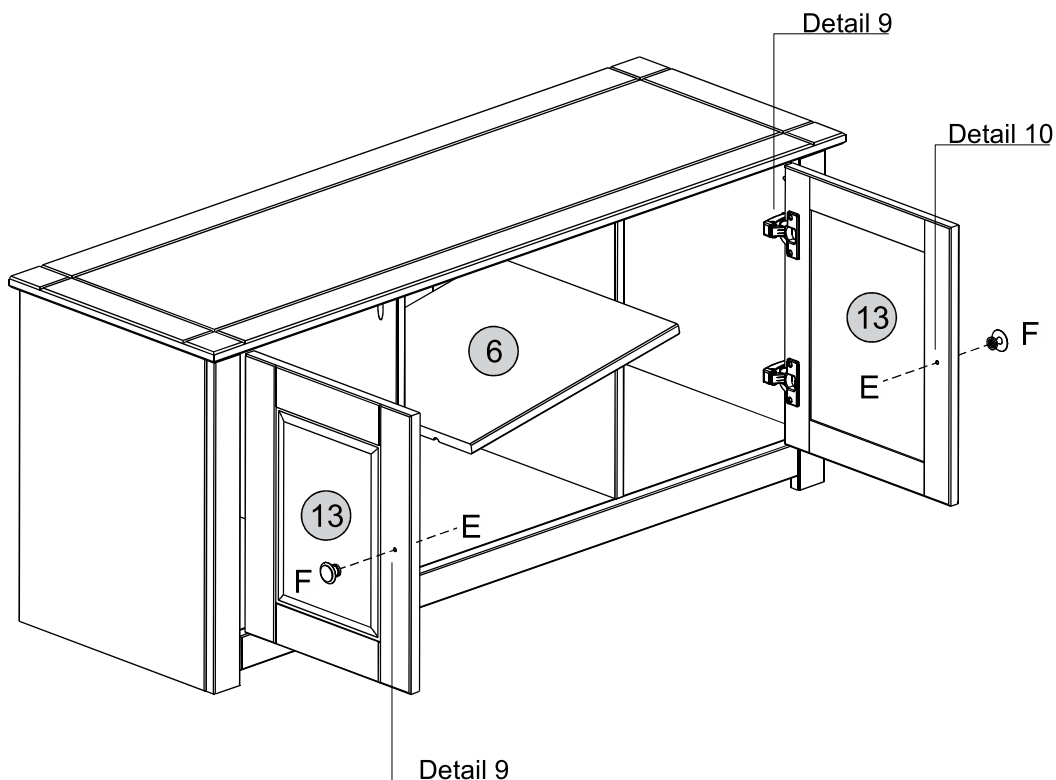
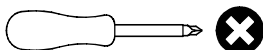


HARDWARE REQUIRED

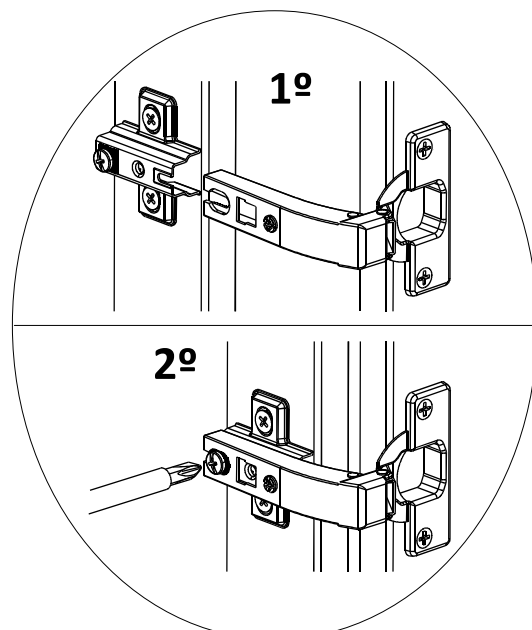
E  02
M4 x 22mm

F  02

TOOLS REQUIRED



Detail 10



Detail 9

ADJUSTMENTS

