

ASSEMBLY INSTRUCTIONS SOHO 3' BED

IMPORTANT: READ THESE INSTRUCTIONS CAREFULLY BEFORE ASSEMBLING OR USING YOUR SOHO 3' BED FRAME.

PLEASE KEEP THESE INSTRUCTIONS FOR FUTURE REFERENCE.

HEALTH & SAFETY :

DO NOT jump on this bed frame.

DO NOT use this bed frame if any parts are missing, damaged or worn.

DO NOT use this bed frame unless all fixings are secured.

Please keep small parts out of reach of children.

Always use on a level, even surface.

WARNING: If this bed is placed on a non-carpeted floor you must place some protection under all legs to stop the bed frame from moving. If this is not adhered to there is no guarantee if the bed frame collapses.

CARE & MAINTENANCE:

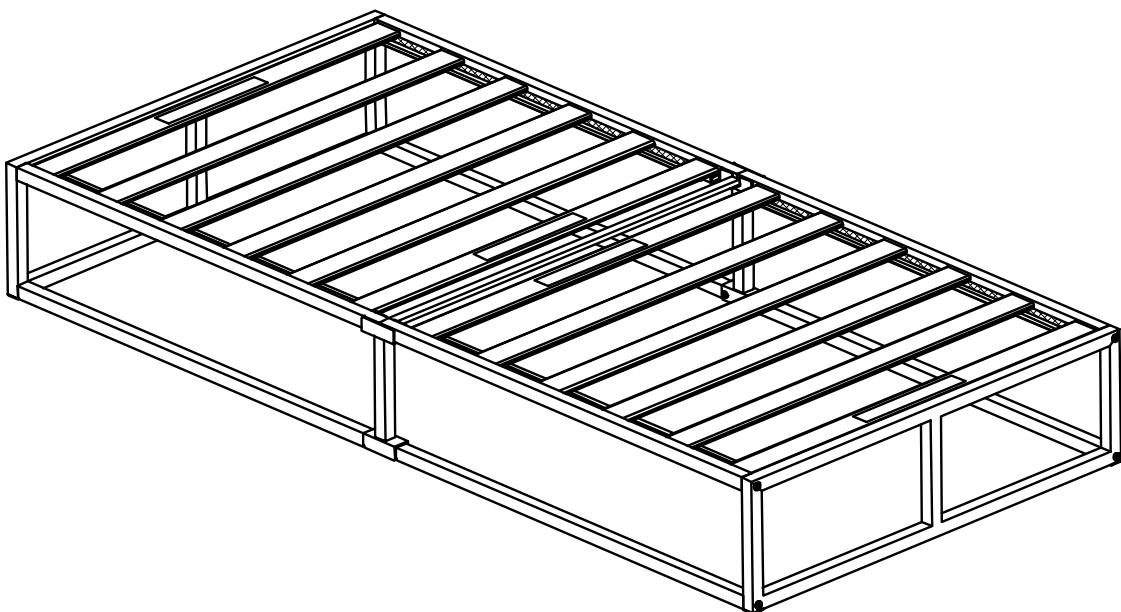
Assemble in the room of use.

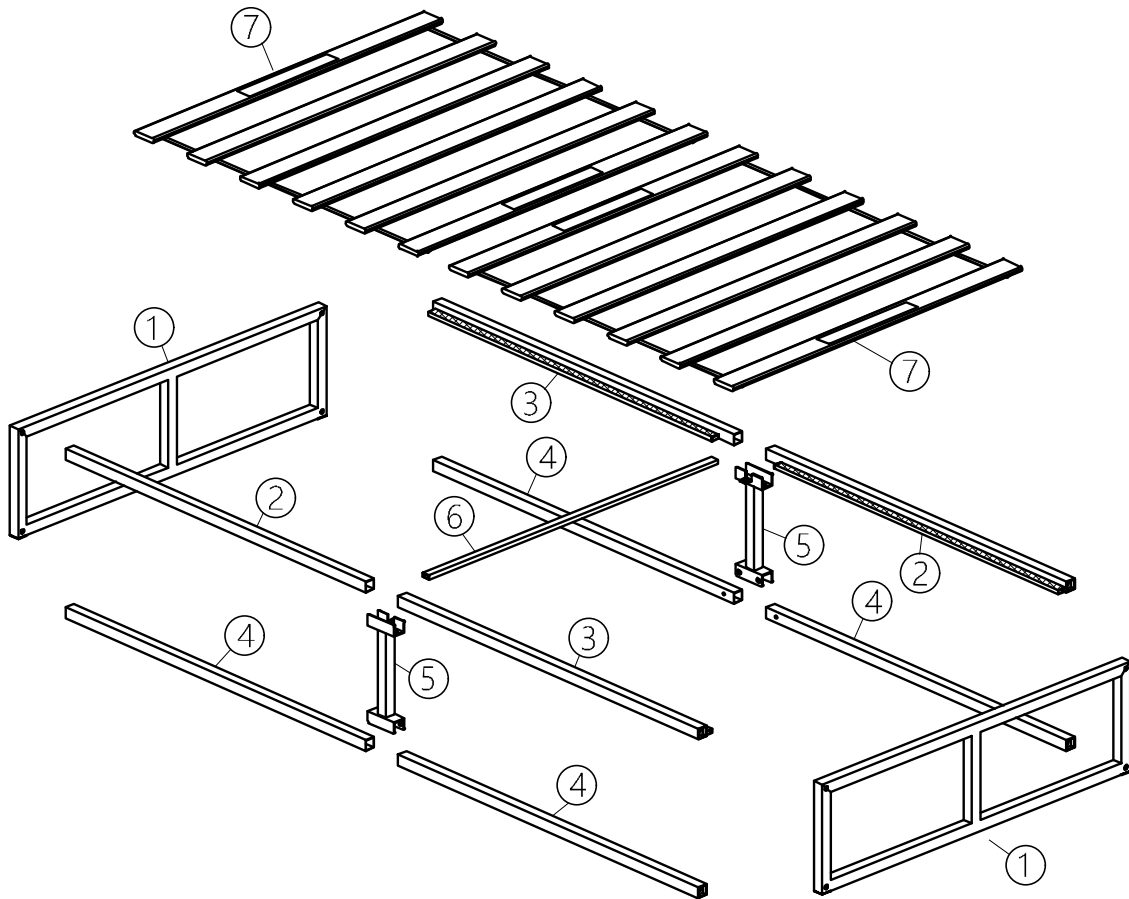
Periodically check all screws & fixings to ensure they are secure.

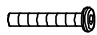




DO NOT push the bed frame as this will damage the legs.

Always lift the bed with two people to reposition.

Keep any sharp objects away from the frame.



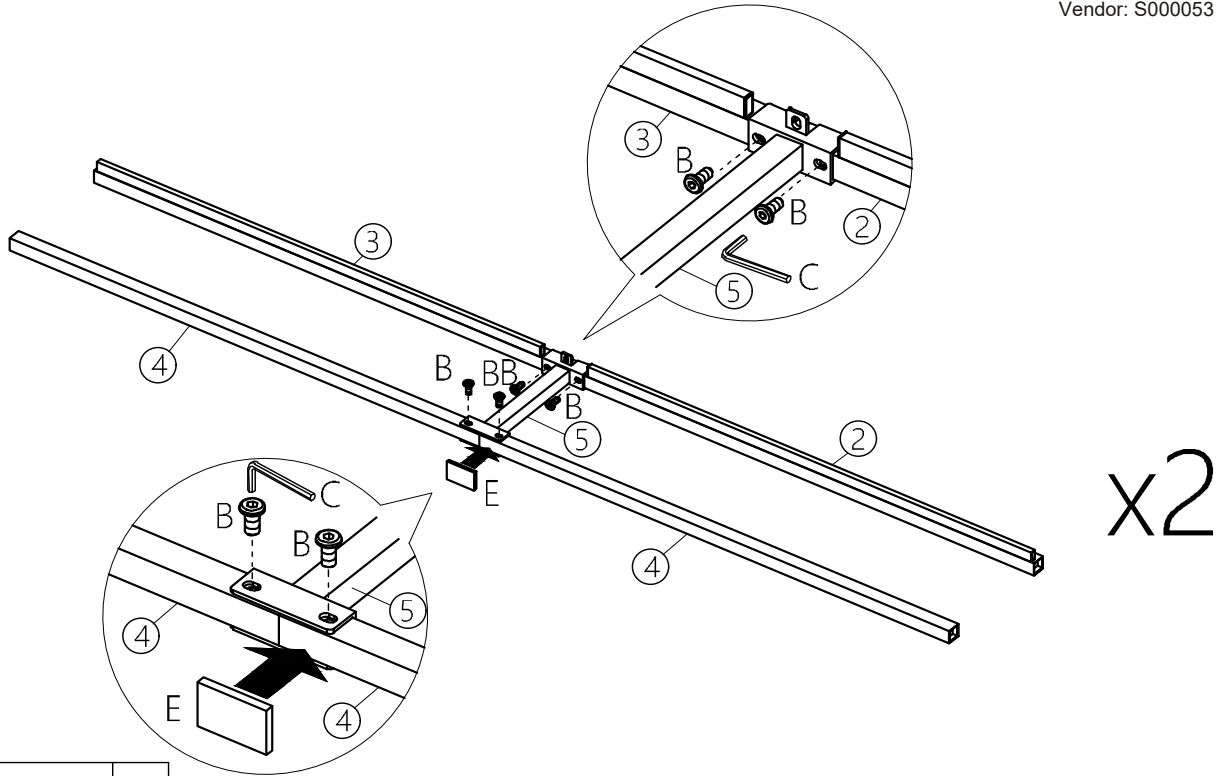





PART LIST				HARDWARE LIST (FOUND IN BOX 1)			
PART	DESCRIPTION	BOX	QTY	PART	DESCRIPTION		QTY
1	Headend & Footend	1	2	A	M8 x 45mm JCBC Screw		8
2	Upper Side Support	1	2	B	M6 x 10mm JCBC Screw		10
3	Upper Side Support	1	2	C	M4		1
4	Bottom Side Support	1	4	D	M5		1
5	Side Frame	1	2	E	EVA Pad		2
6	Mid Support	1	1				
7	Slat	1	2				

IMPORTANT:DO NOT SCREW UP THE RACK TIGHTLY UNTIL ALL PARTS ARE WELL SET WITH PROPER HARDWARES IN PLACE! ! !

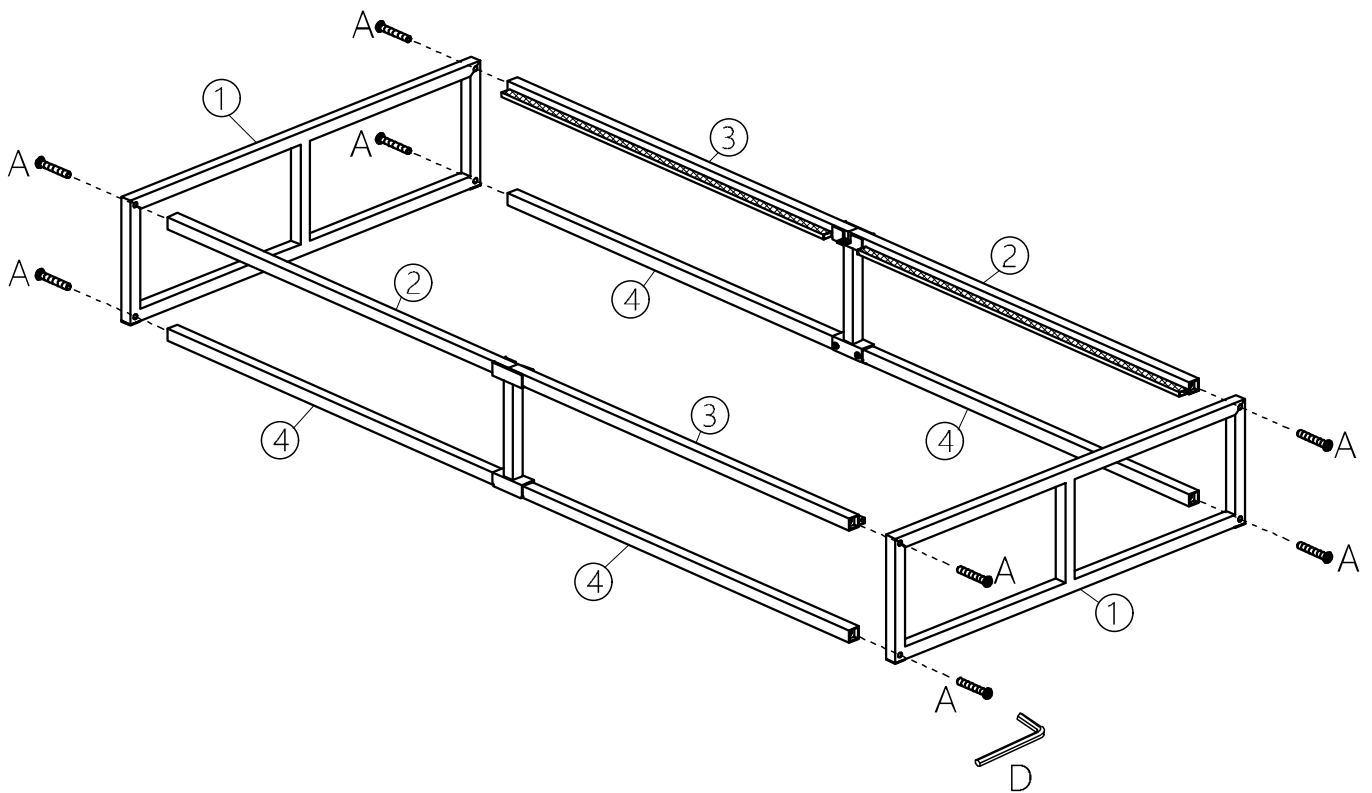
Step 1:



Vendor: S000053



B	 M6x10	8
C	 M4	1
E		2

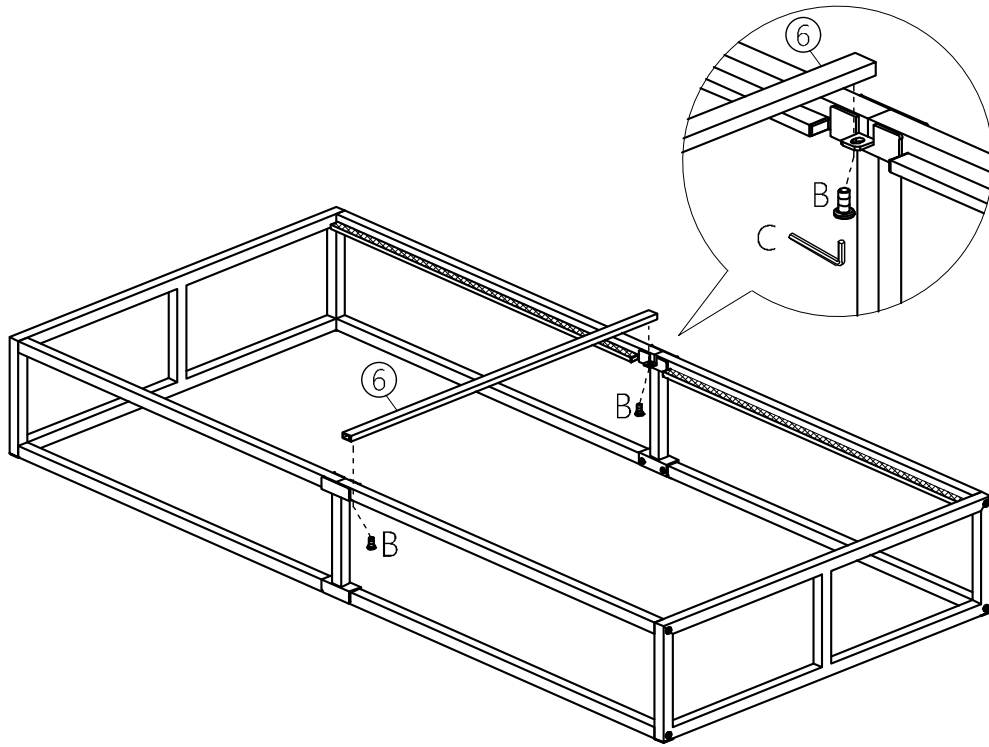
Step 2:



A	 M8x45	8
D	 M5	1

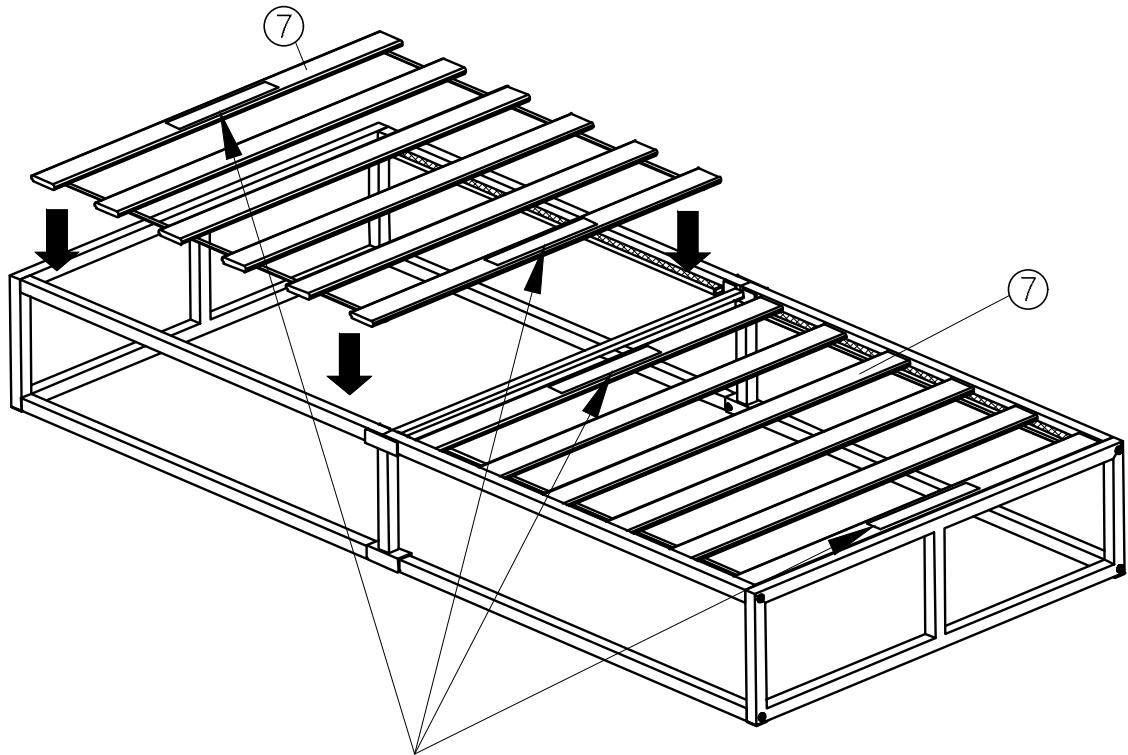
Step 3:

Vendor: S000053



B		M6x10	2
---	--	-------	---

Step 4:



NON-SLIP TAPE Please peel off the upper strip.