



# Birlea

Suppliers of inspiration

## Assembly Instructions

---

*Thank you* for  
purchasing a  
**Birlea** product.

For a chance to win a *Love 2 Shop* voucher simply post a picture of your new product on your preferred social channels tagging Birlea Furniture and using the hashtag **#ShareYourStyle** and **#Birlea**. One winner will be selected at random each month.

To view our full terms and conditions please visit our website. [www.birlea.com](http://www.birlea.com)

---

### Are you happy with your purchase?

**Yes:** That's great, we would love to hear more from you. Please leave us a review on our social media channels or Trustpilot. Your feedback will be greatly appreciated.

**No:** If for any reason there is something missing, indifferent or incorrect with your order, please contact the retailer you purchased the item from. We will work with the retailer to resolve your issue as quickly as possible.



[www.birlea.com](http://www.birlea.com)

# Extending Table

Assembly Instructions - Please keep for future reference

## Safety and Care Advice

- Important: Please read these instructions fully before starting assembly.
- Do not discard any of the packaging until you have checked that you have all the parts and the pack of fittings.
- Discard all extra fittings and keep fittings out of reach of children.
- Assemble this product on a flat and protected surface.
- Assemble all parts and bolts loosely during assembly, only once the product is complete should you fully tighten the bolts.
- Assemble this product as close to its final position (in the same room) as possible.
- At least 2 people are required to assemble this product.

### Warnings:

- This product should only be used on firm, level ground.
- Make sure the legs remain in contact with the ground.
- Do not stand on the product.

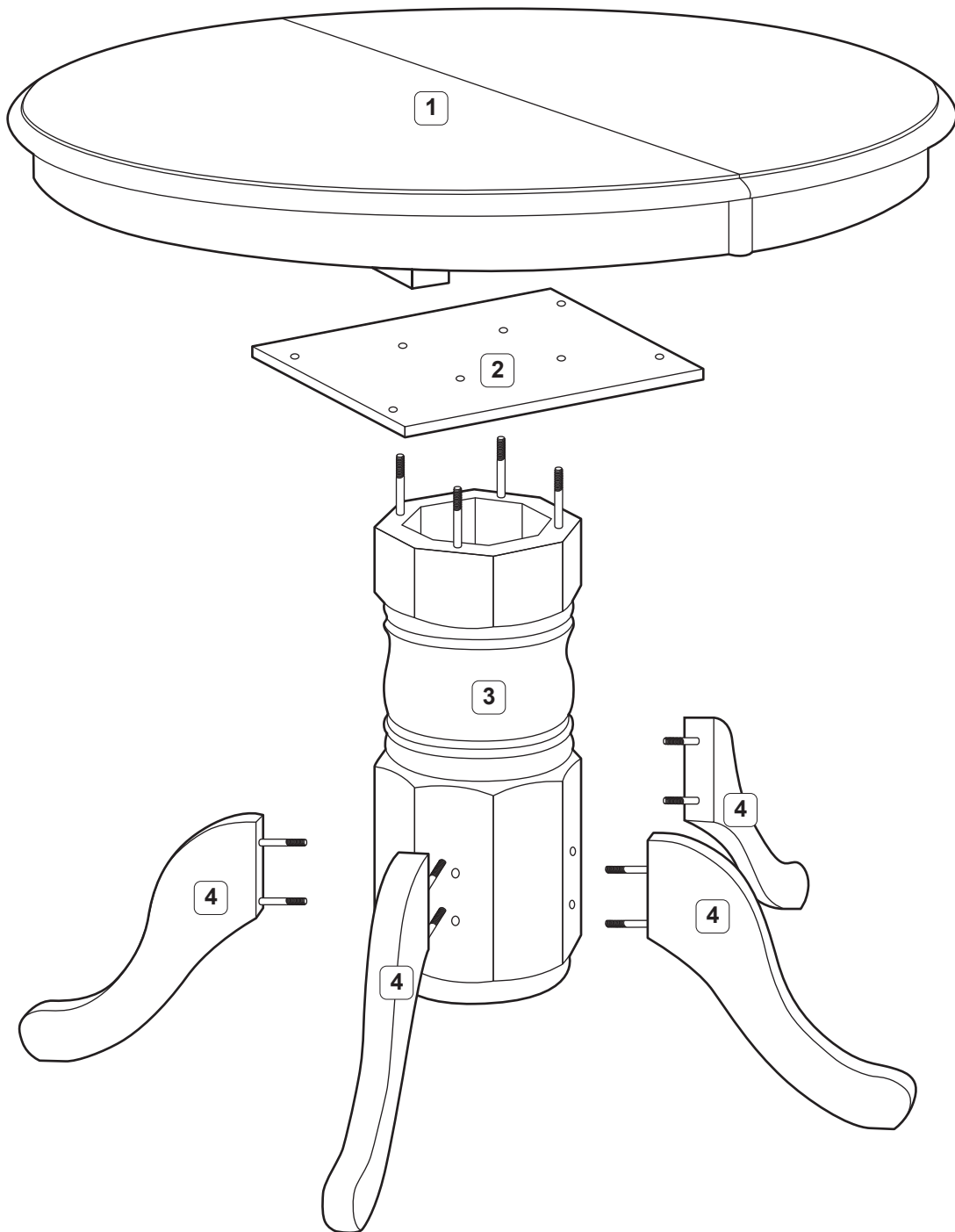
### Care and maintenance:

- Please clean the product using either damp (not wet) cloth and a mild domestic soap solution or by using an appropriate polish.
- Do not use abrasive materials when cleaning.
- From time to time, check that there are no loose bolts on this unit.

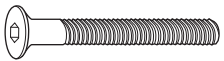




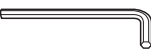



## Parts List

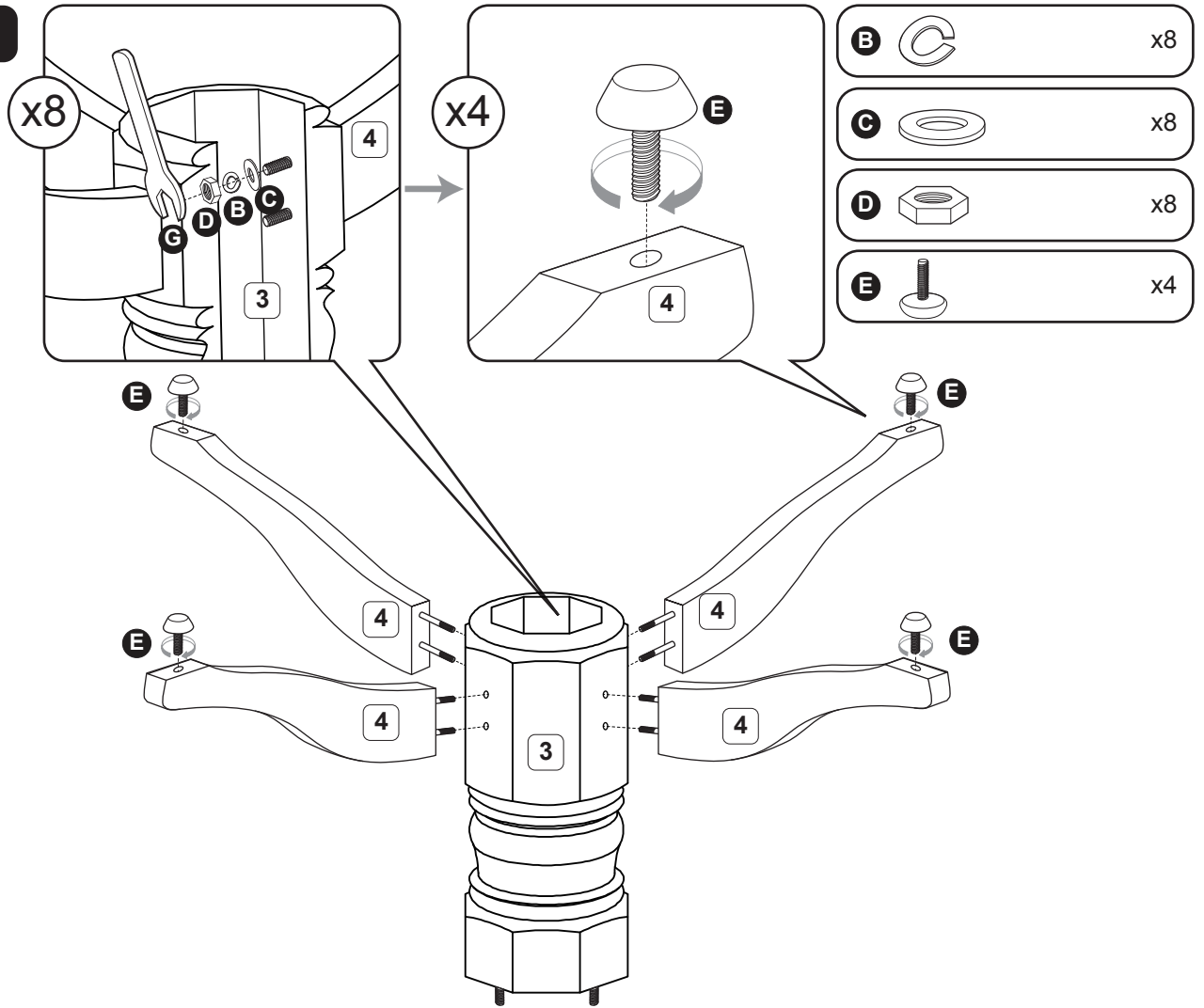
- 1** TABLE TOP - 1 pc.
- 2** MOUNTING BOARD - 1 pc.
- 3** LEG POST - 1 pc.
- 4** LEG - 4 pcs.



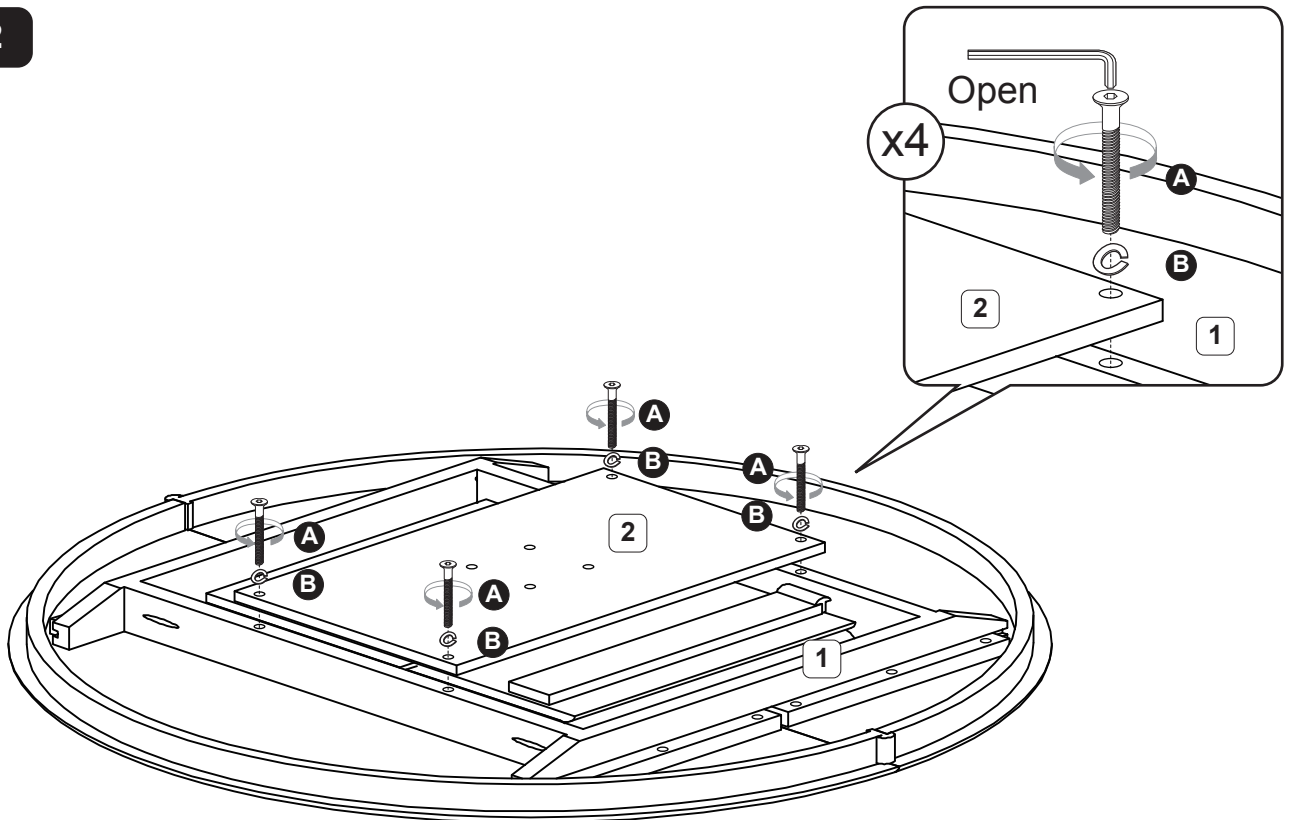
## Fittings List

<p><b>A</b> </p> <p>M6 x 40mm Bolt - 4 pcs+1 Extra (fitting is fixed on the mounting board)</p>	<p><b>B</b> </p> <p>Spring Washer x 16 pcs+1 Extra (4 pcs were fitting is fixed on the mounting board)</p>	<p><b>C</b> </p> <p>Flat Washer x 12 pcs+1 Extra</p>	<p><b>D</b> </p> <p>Nut - 12 pc+1 Extra</p>
<p><b>E</b> </p> <p>Footing - 4 pcs +1 Extra</p>	<p><b>F</b> </p> <p>Allen Key x 1 pc.</p>	<p><b>G</b> </p> <p>Spanner x 1 pc.</p>	

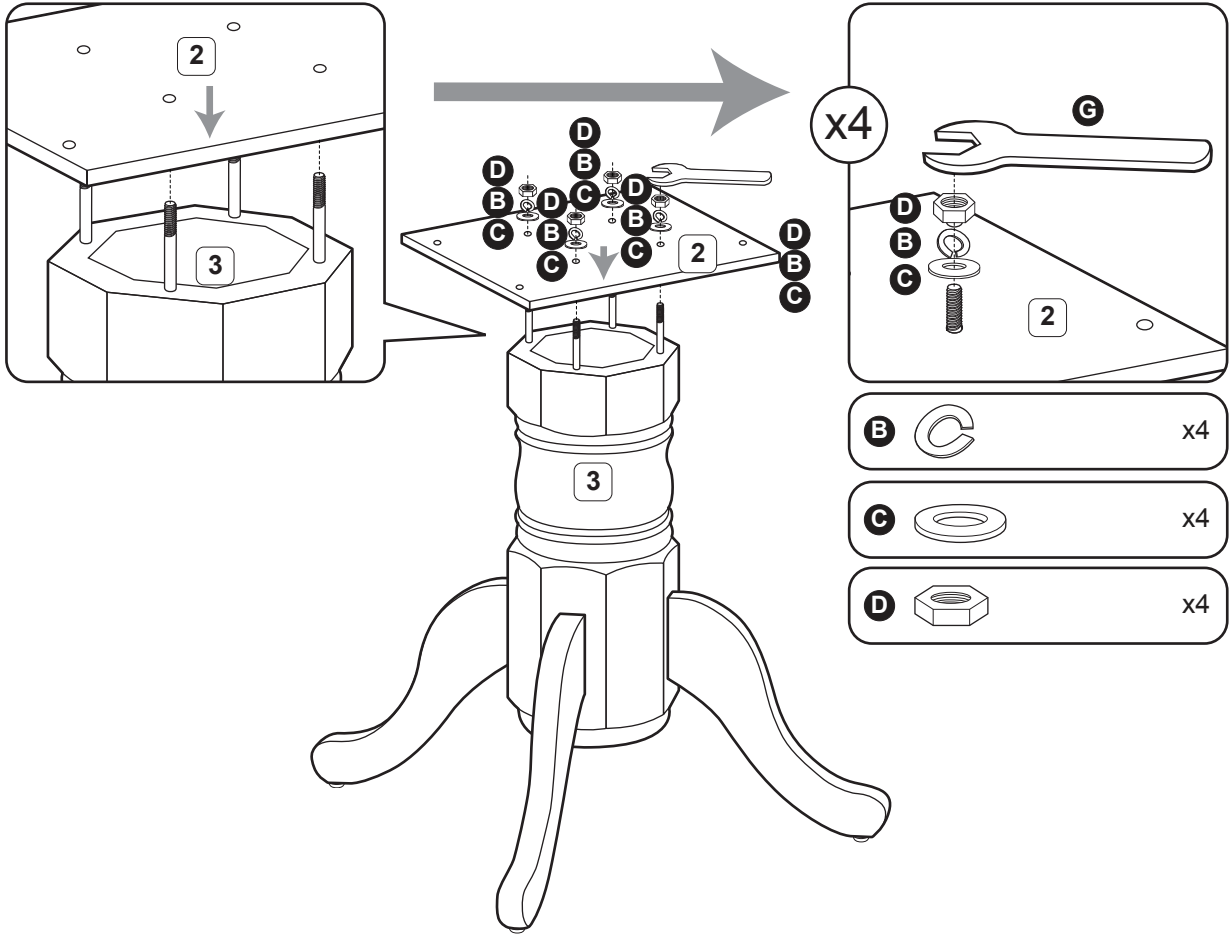
**Step 1**



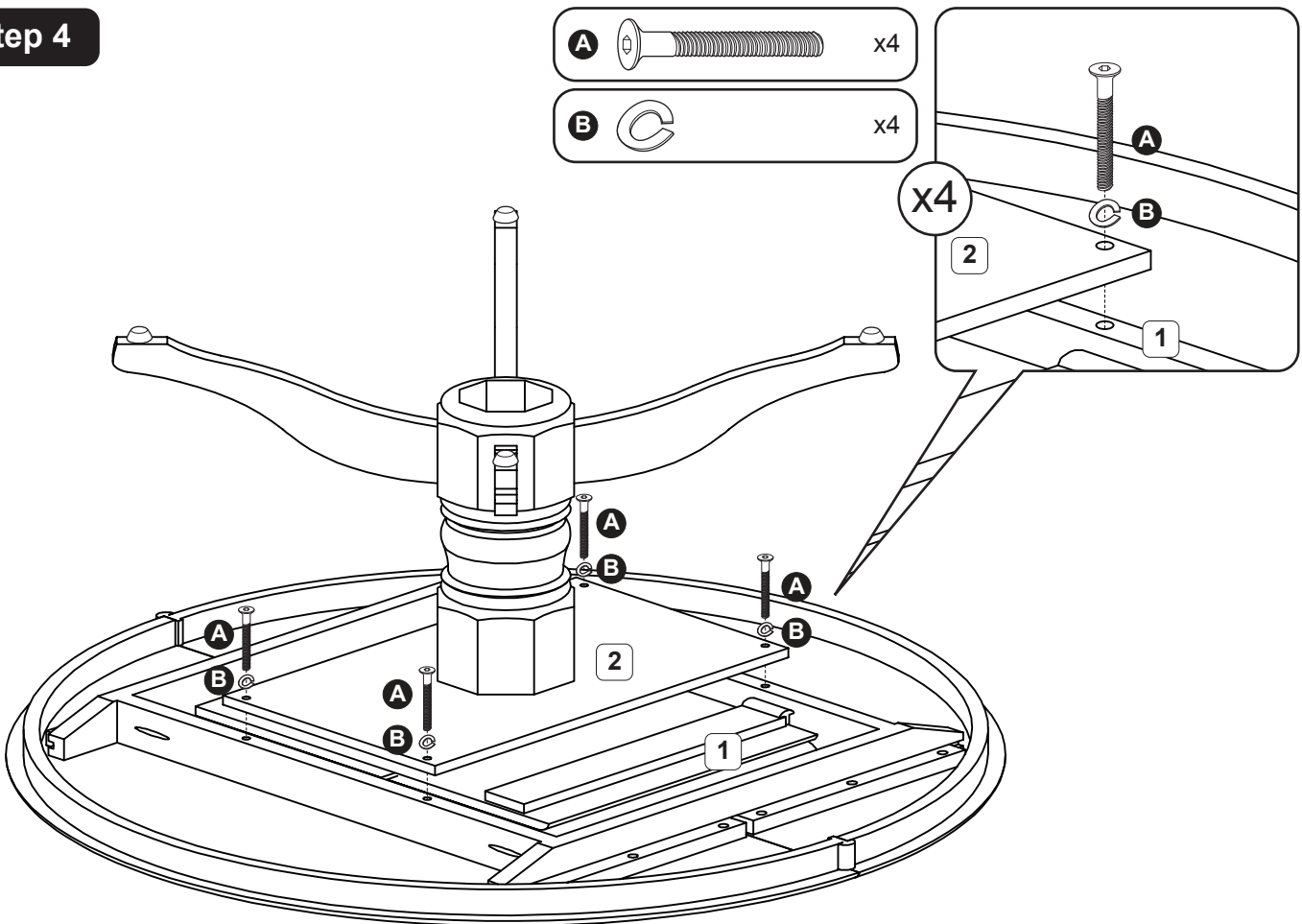
**Step 2**



**Step 3**

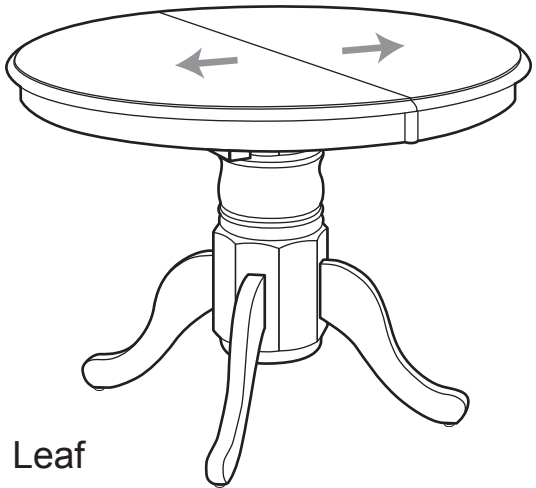
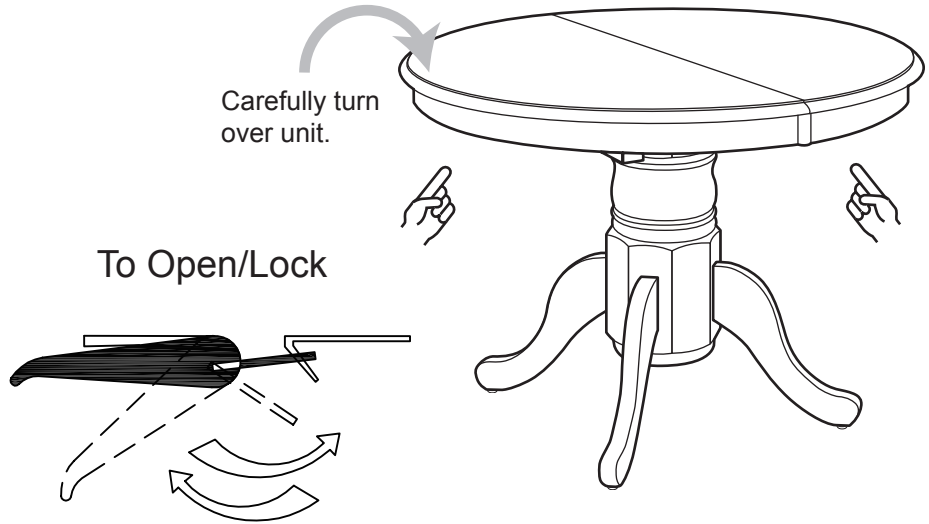


**Step 4**

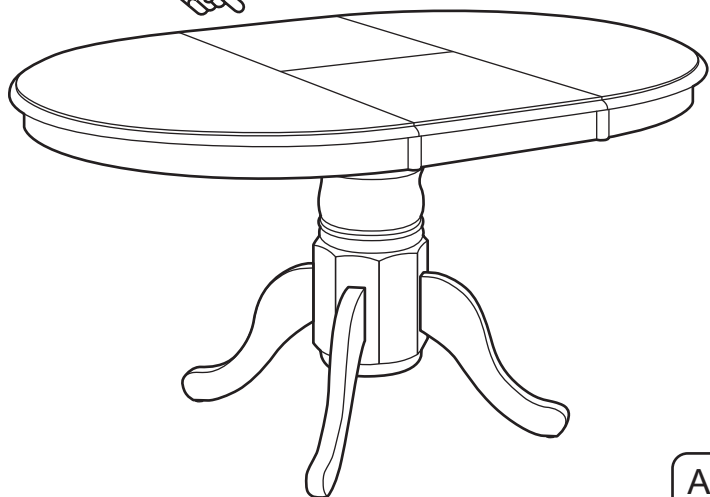
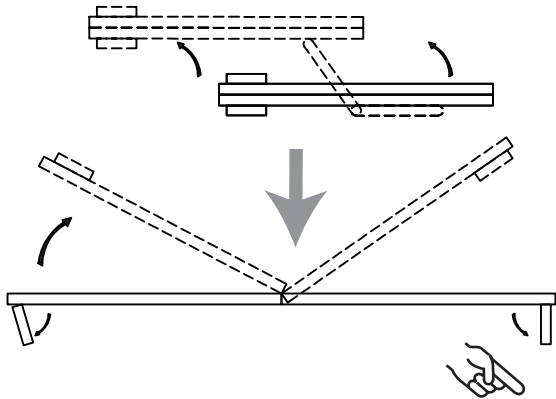


**Extending the table**

Carefully turn over unit.



To Open The Extension Leaf



Assembly is complete.