



**Birlea**

Suppliers of inspiration

Vendor: S000159



**ASSEMBLY INSTRUCTIONS**  
**FRANKIE MIDI SLEEPER WITH SLIDE**

**IMPORTANT: READ THESE INSTRUCTIONS CAREFULLY BEFORE ATTEMPTING TO ASSEMBLE OR USE YOUR CINDY BED TWIN IVORY FRAME**

**PLEASE KEEP THESE INSTRUCTIONS FOR FUTURE REFERENCE**

**HEALTH & SAFETY:**

DO NOT jump or play on this bed frame

DO NOT use this bed frame if any parts are missing, damaged or worn

DO NOT use this bed frame unless all fixings are secured

Always use on a level, even surface

Be aware of the danger of young children (under 6) falling from the upper bunk. It is not advisable for children under the age of 6 to sleep on the top bunk

Always use guardrails on both sides of the upper bunk

Ensure guardrails, the ladder and all components are maintained in the proper position, are free from damage and all fixings are secure

Always use the ladder when accessing and leaving the upper bunk

This frame complies with European Standard NF EN 747 1&2 + A1: 2015

**CAUTION: There is the risk of strangulation to children from items such as string, ropes, cords, harnesses and belts hanging from the bed frame**

**WARNING: Children can become trapped between the bed and the wall. To avoid risk of serious injuries the distance between the wall and the top safety barrier should not exceed 75 mm or should be more than 230 mm**

**WARNING: If this bed is placed on a laminated floor you must place some protection under all legs to stop the bed frame from moving. If this is not adhered to there is no guarantee if the bed frame collapses**

**CARE & MAINTENANCE:**

Periodically check all screws & fixings to ensure they are secure

DO NOT push the bed frame as this will damage the legs

Always lift the bed with two people to reposition

Keep any sharp objects away from the frame

Recommended maximum mattress height for top bunk is 160 mm

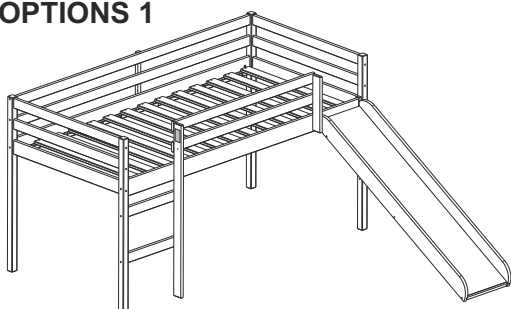
Please note this frame is constructed with natural living timber. Wood varies in shape and colour – knots, veins, resin pockets and colour differences all form a natural part of solid wood.

The frame will react to high and low temperatures, sunlight, humidity and drought. In cold and dry periods the wood will contract which may lead to small cracks. In warm and humid periods the wood will expand and may result in slight unevenness.

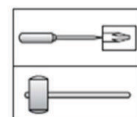
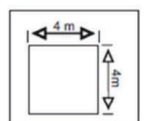
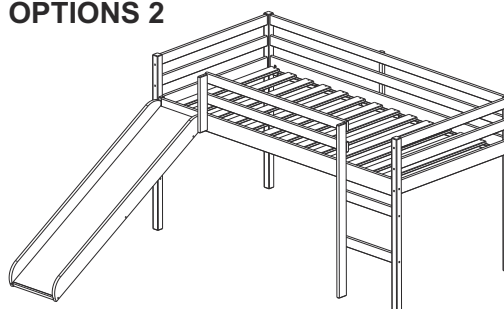
The colour of the wood also changes with time particularly if placed in a light area, this is a natural process with solid wood

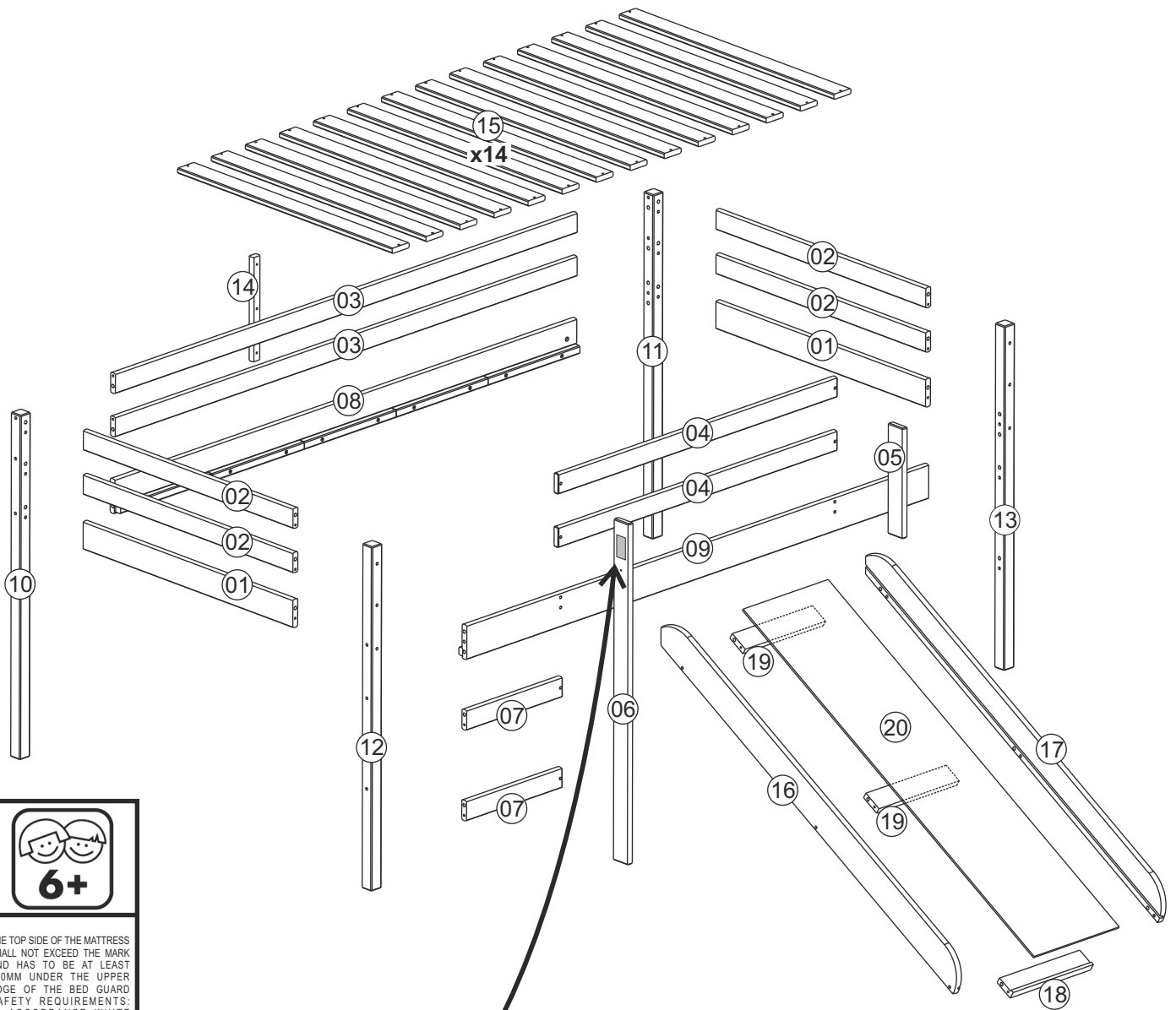
Any flexing that has occurred during transport will correct itself once the product has been correctly assembled


**OPTIONS 1**



**OPTIONS 2**





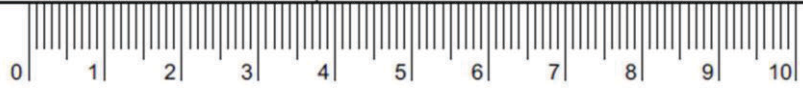
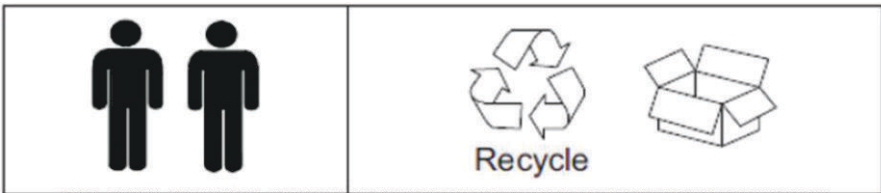
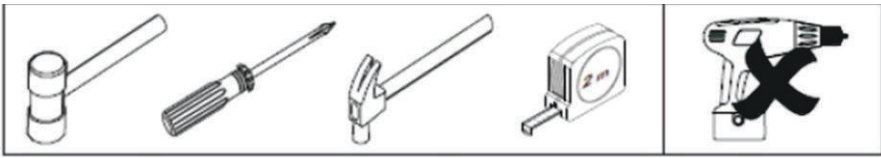


THE TOP SIDE OF THE MATTRESS SHALL NOT EXCEED THE MARK AND HAS TO BE AT LEAST 160MM UNDER THE UPPER EDGE OF THE BED GUARD SAFETY REQUIREMENTS: IN ACCORDANCE WITH NF EN 747 1&2 + A1: 2015 RECOMMENDED MINIMUM AGE 6 YEARS. BE AWARE OF THE DANGER OF YOUNG CHILDREN (UNDER 6) FALLING FROM THE UPPER BED.

MODEL: FRANKIE MIDI SLEEPER WITH SLIDE  
ORDER NUMBER: 000000

DISTRIBUTOR:  
**BIRLEA FURNITURE LTD**

MAXIMUM MATTRESS HEIGHT



Parts List		
Part	Description	Qty
01	End Rails	2
02	End Rails	4
03	Back Guard Rail	2
04	Front Guard Rail	2
05	Support Front Guard Rail	1
06	Ladder Rail	1
07	Step	2
08	Back Side Rail	1
09	Front Side Rail	1
10	Left Back Foot	1
11	Right Back Foot	1
12	Left Front Foot	1
13	Right Front Foot	1
14	Rail support	1
15	Slat	14
16	Left Slide Rail	1
17	Right Slide Rail	1
18	Slide support	1
19	Slide support	2
20	Base Slide	1

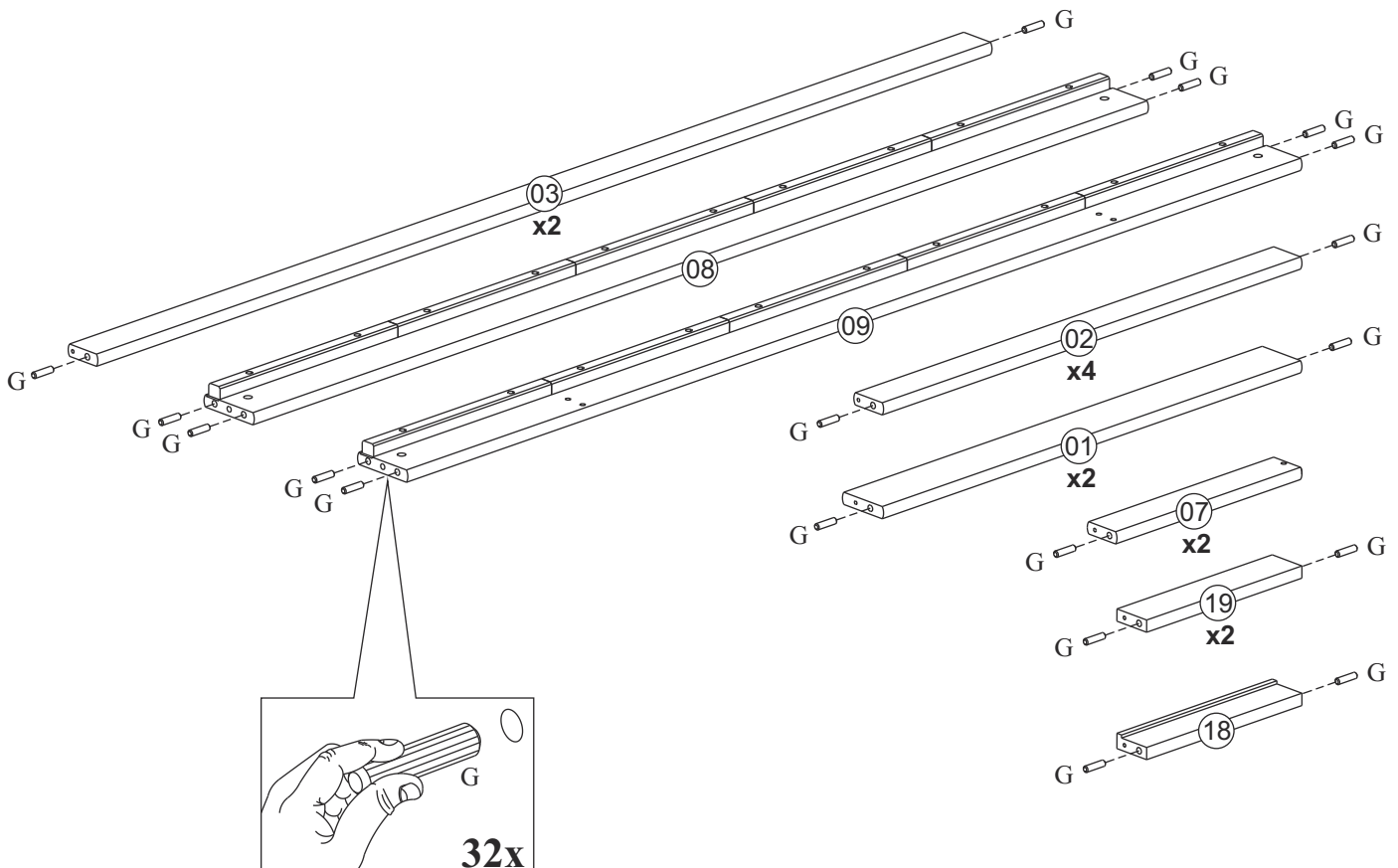
Parts List		
Part	Description	Qty
A	1/4" x 90mm Bolt	4
B	Barrel Nut	4
C	7 x 80mm Bolt	18
D	7 x 60mm Bolt	10
E	7 x 50mm Bolt	6
F	4 x 35mm Screw	31
G	10 x 40mm Wooden Dowel	32
H	Allen Key	1
I	70 x 17mm Spacer Block	2
J	4 x 20mm Screw	6
K	Ø8 Cover Hole	4
L	Ø10 Cover Hole	2
M	Hook Ladder <small>cod.2080/23</small>	2
N	Protector Felt	2

**CAUTION**

Parts K & L are small parts and can be a choke hazard. These are for decorative purpose only so if you are concerned Please leave out of the assembly.

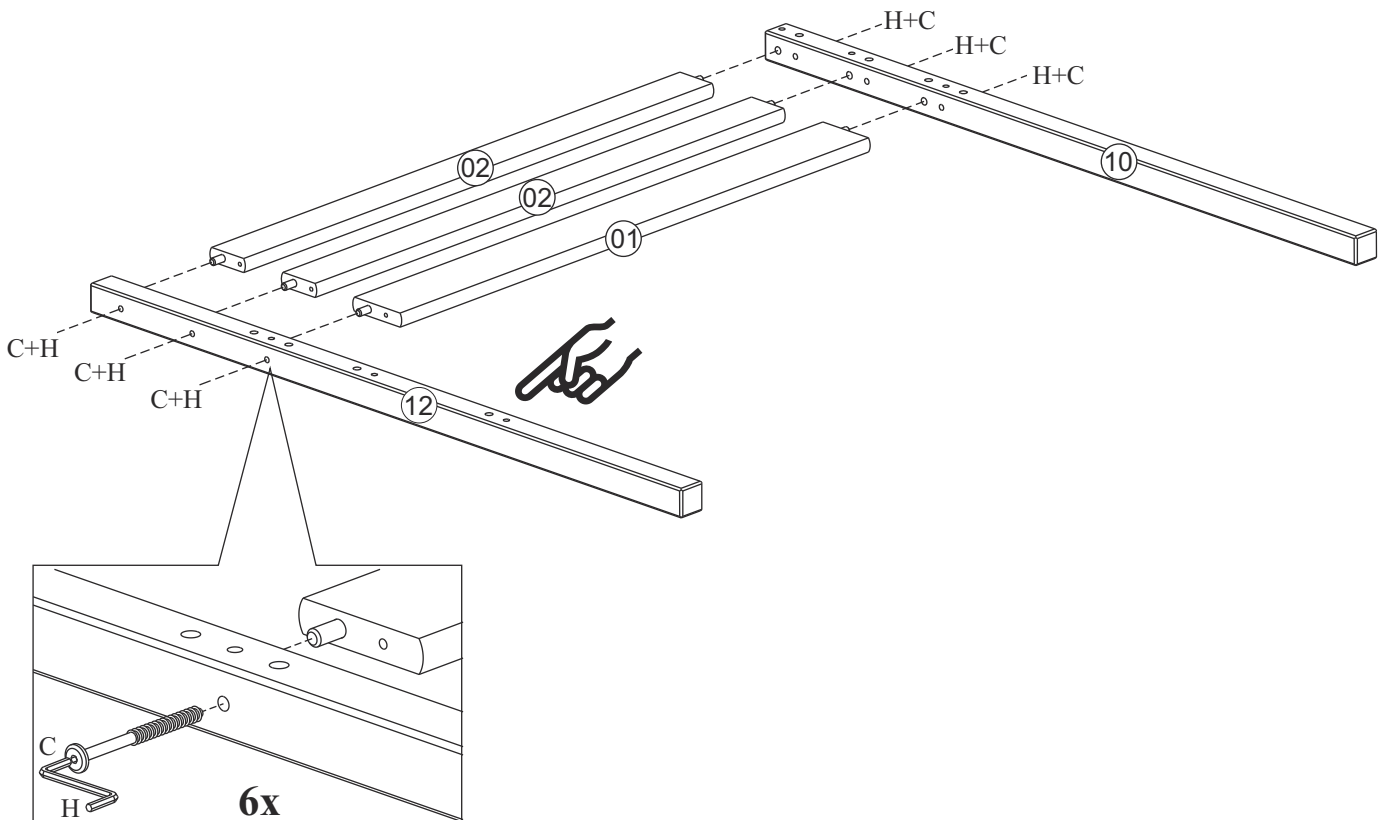
**\*\* You will need a screwdriver and small mallet (not provided)**

**Step 1: Attach Wooden Dowel (G) to parts (1)2x, (2)4x, (3)2x, (7)2x, (8), (9), (18) and (19)2x. DO NOT use any power tools as this may damage the frame and will invalidate any claim**



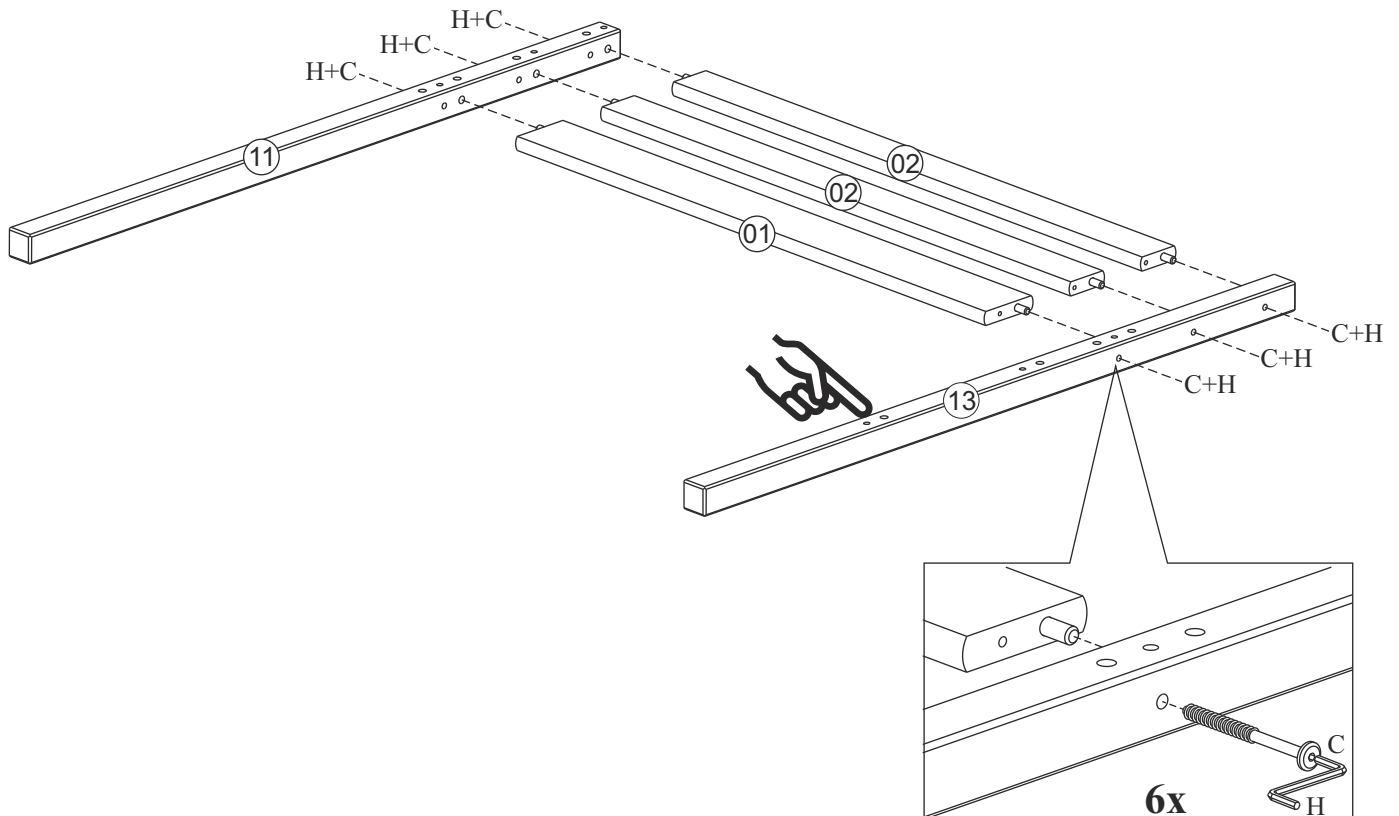
**Step 2:** Attach the end rails (1) and (2) to the foot (10) and foot (12) using hardware C and H.

**DO NOT use any power tools as this may damage the frame and will invalidate any claim**

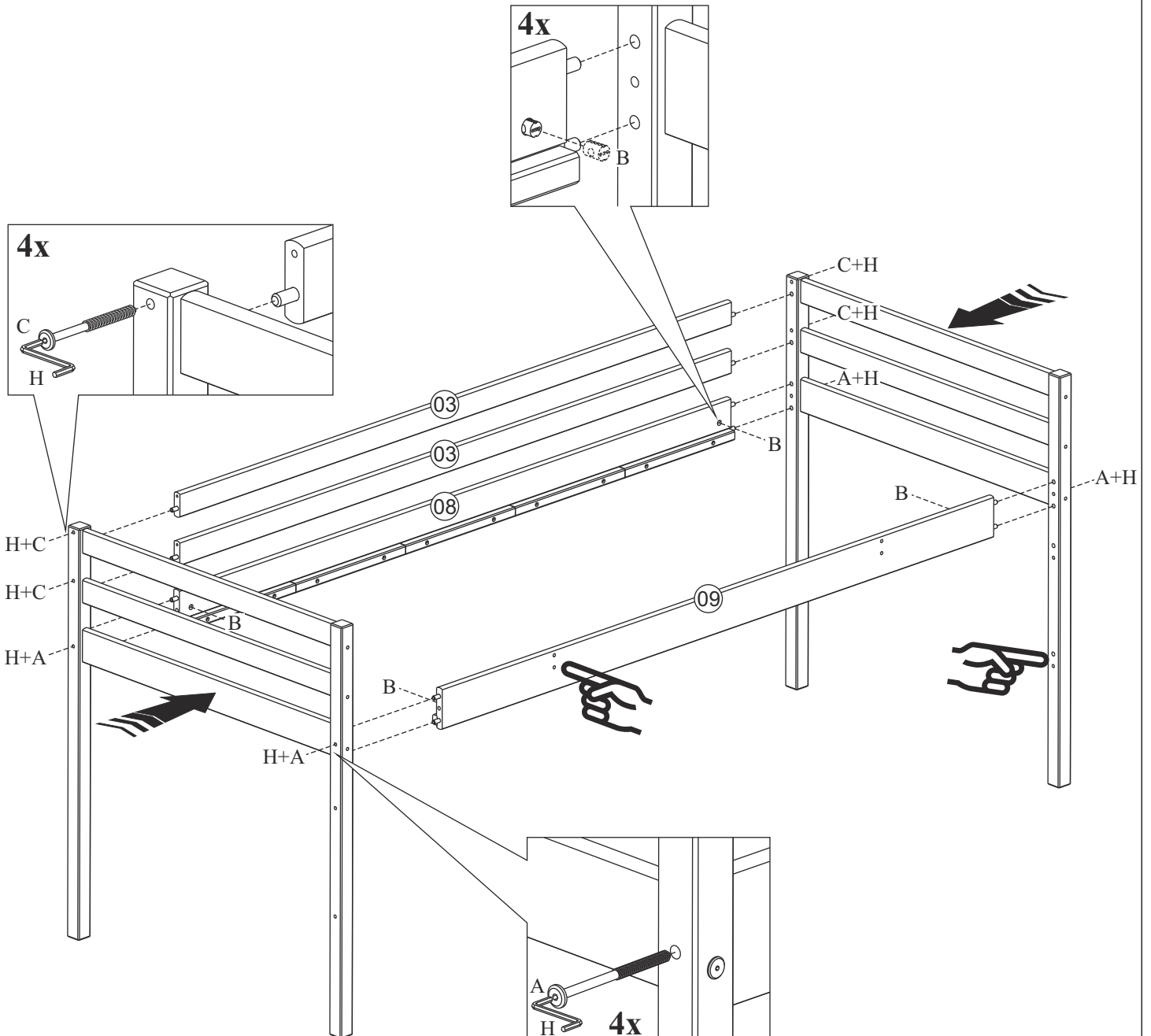


**Step 3:** Attach the end rails (1) and (2) to the foot (11) and foot (13) using hardware C and H.

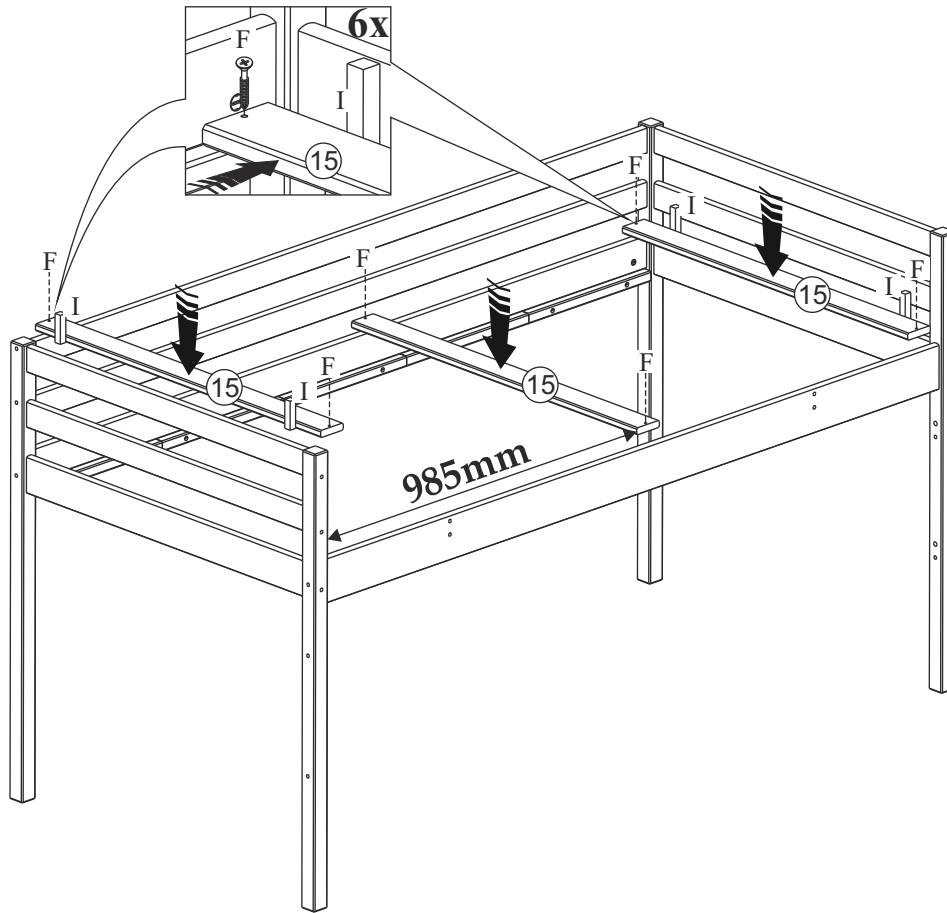
**DO NOT use any power tools as this may damage the frame and will invalidate any claim**



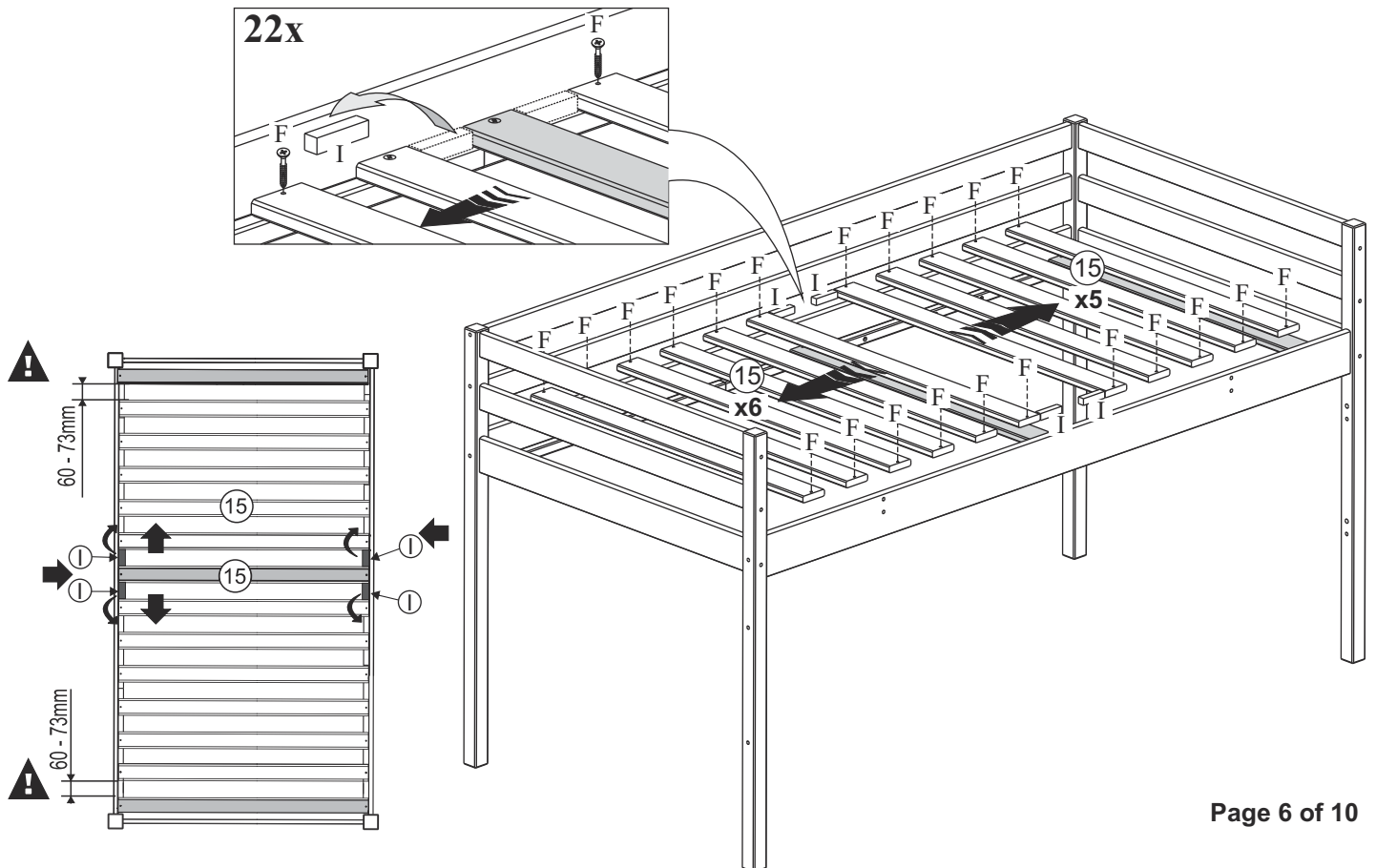
**Step 4:** Attach the back side rails (8) the front side rails (9) on the headboards using hardware parts A, B, and H.  
Attach guard-rails (3) on the headboards using hardware parts C, and H.  
**DO NOT use any power tools as this may damage the frame and will invalidate any claim**



**Step 5: Fix the slats (15)3x with screws F and spacer I.**  
**DO NOT use any power tools as this may damage the frame and will invalidate any claim**



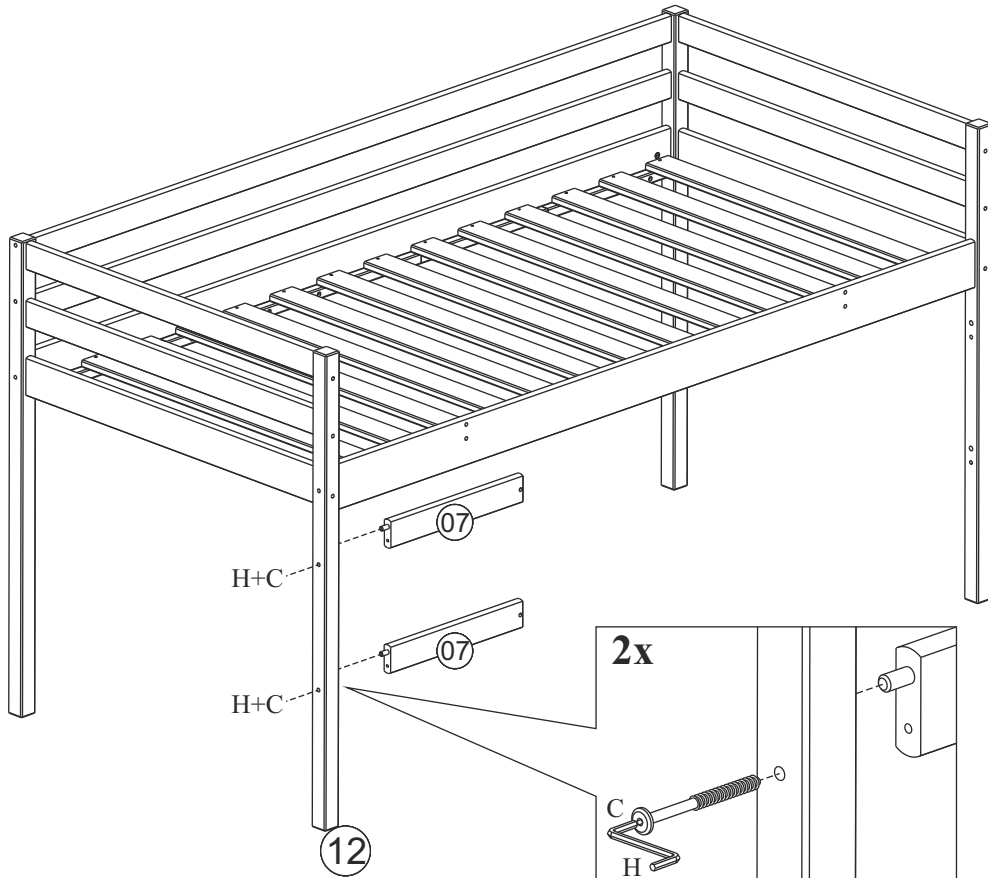
**Step 6: Fix the slats (15)11x with screws F and spacer I.**  
**DO NOT use any power tools as this may damage the frame and will invalidate any claim**



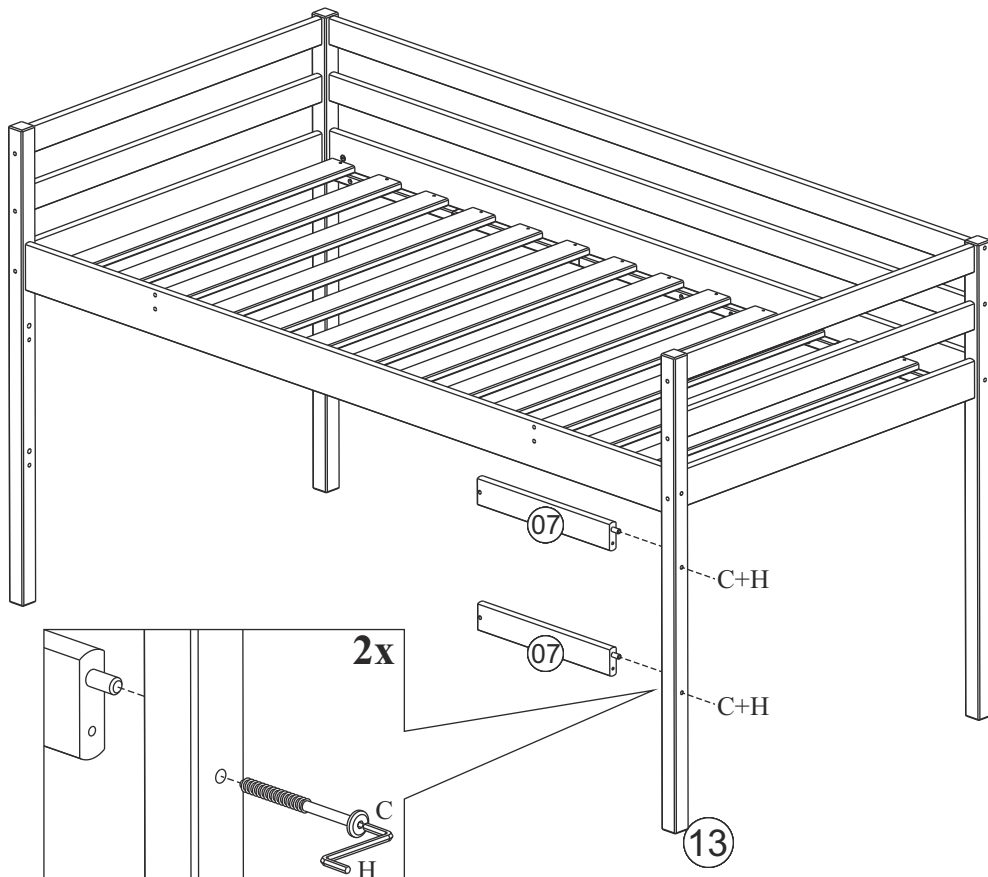
**OPTIONS 1**

**Step 7:** Fix the steps (7)2x with screws C and H.

**DO NOT use any power tools as this may damage the frame and will invalidate any claim**



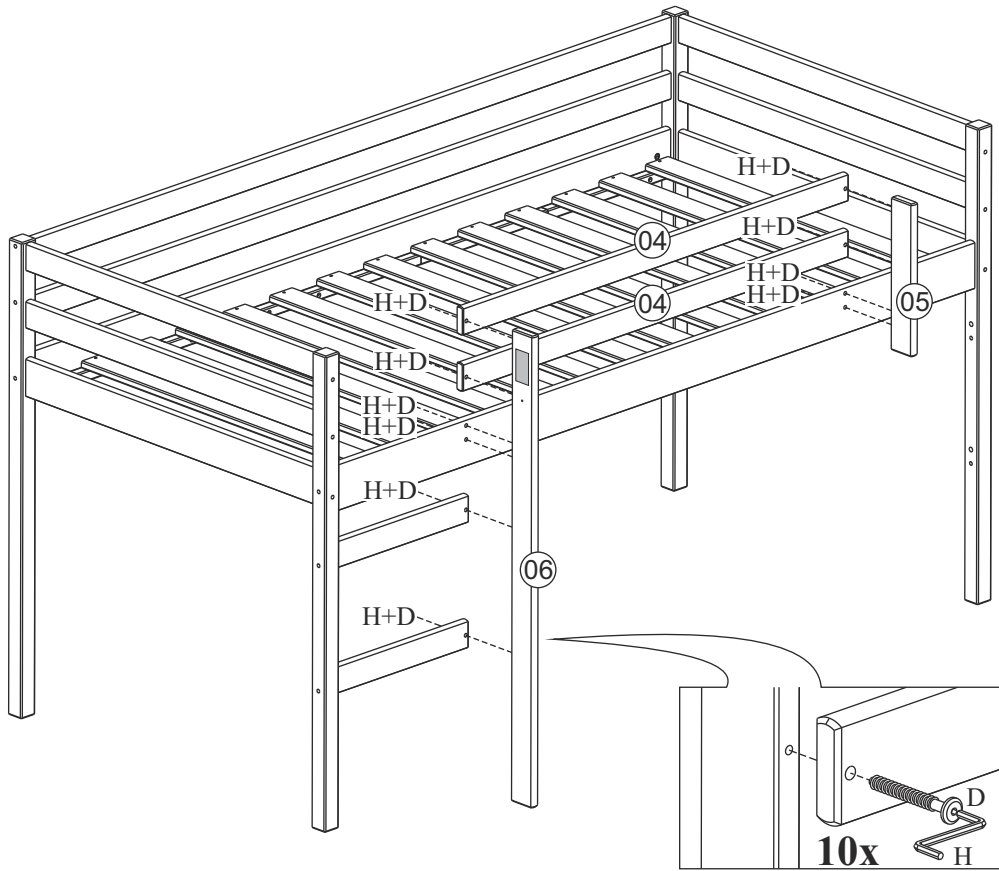
**OPTIONS 2**



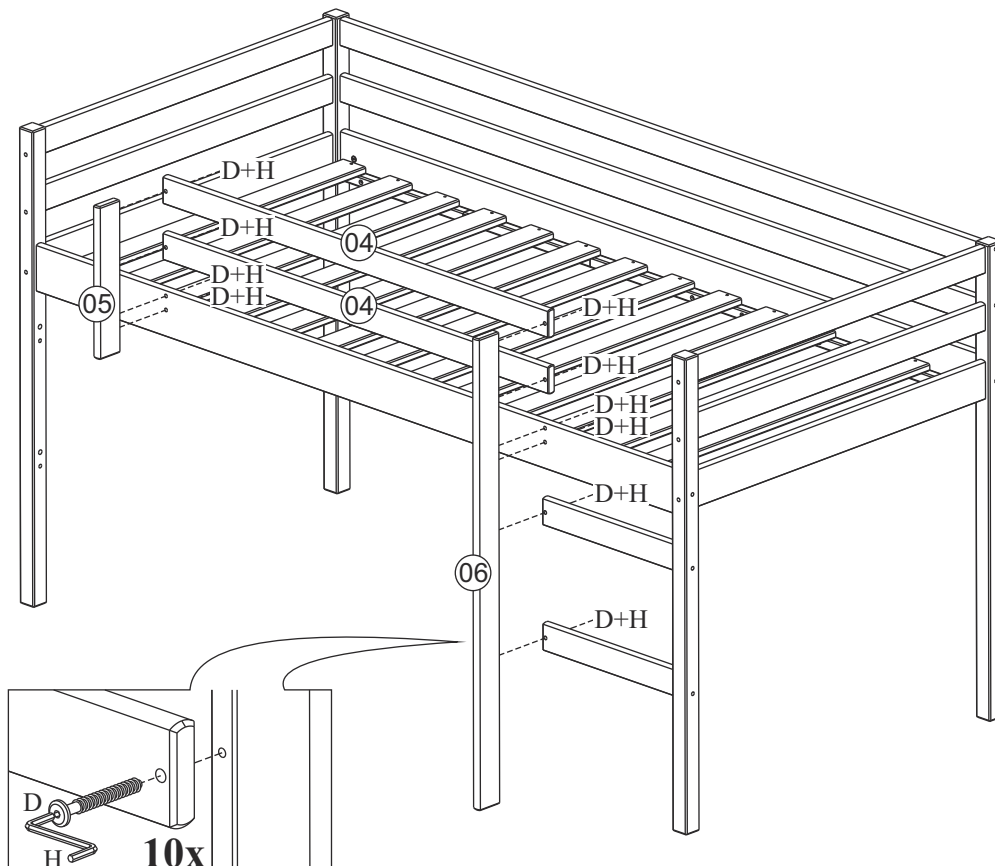
**OPTIONS 1**

**Step 8:** Fix the parts (4), (5) and (6) with screws D and H.

**DO NOT use any power tools as this may damage the frame and will invalidate any claim**

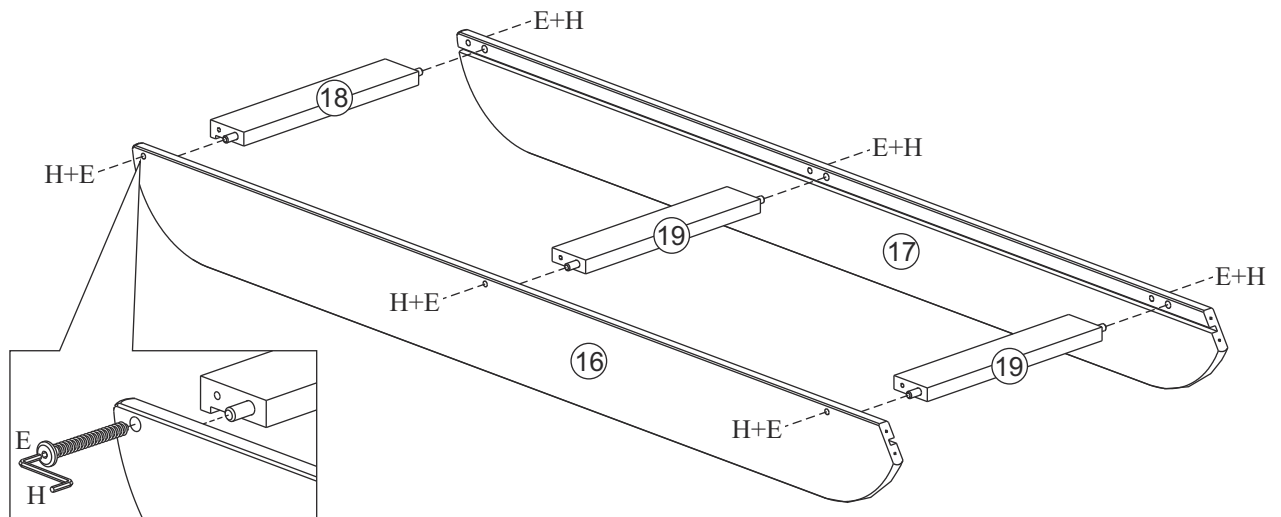


**OPTIONS 2**

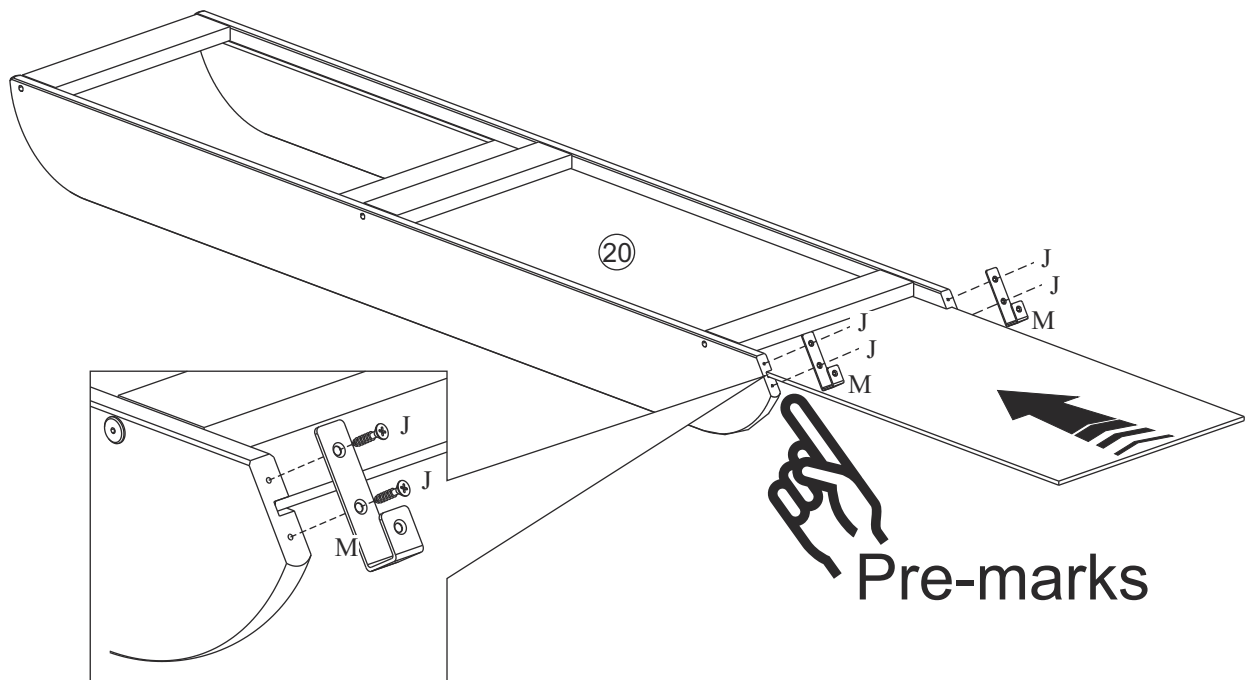




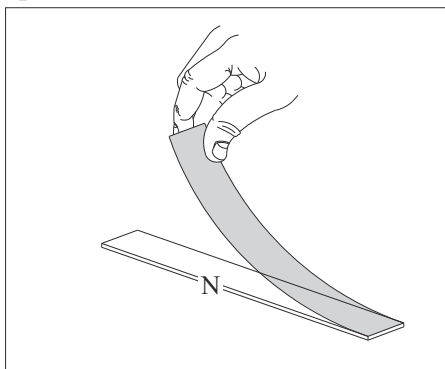
**Step 9:** Fix the parts (18) and (19) on the sides (16) and (17) with screws E and key H.  
**DO NOT use any power tools as this may damage the frame and will invalidate any claim**



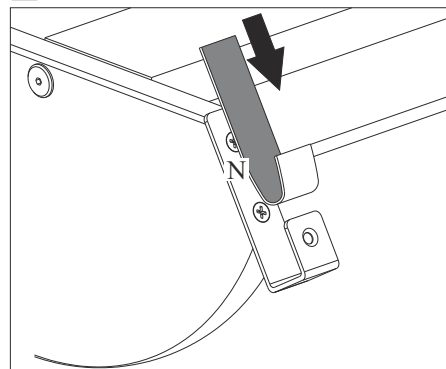
Fit the part (20) on the sides (16) and (17).  
 Secure hardware M with screws J.  
**DO NOT use any power tools as this may damage the frame and will invalidate any claim**



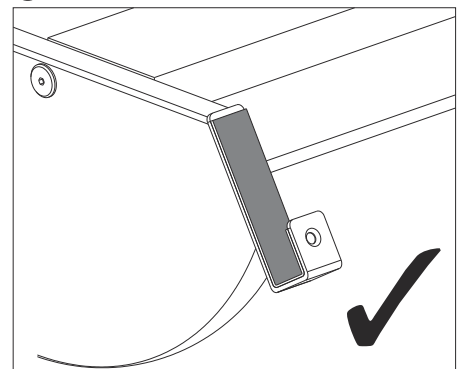
1°



2°



3°



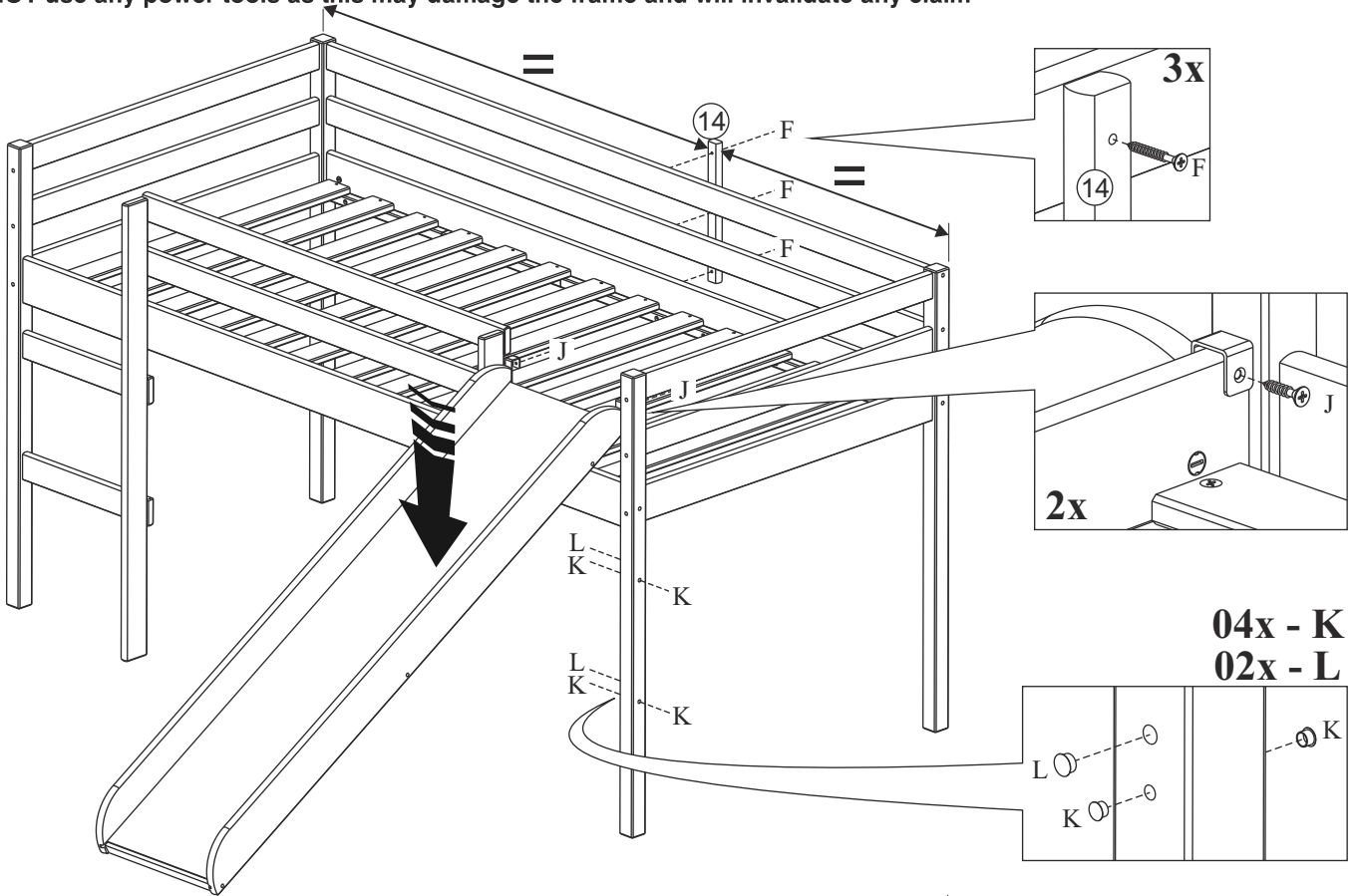
**OPTIONS 1**

**Step 10:** Fix the parts (14) with screws F.  
fix the slider with screw J.

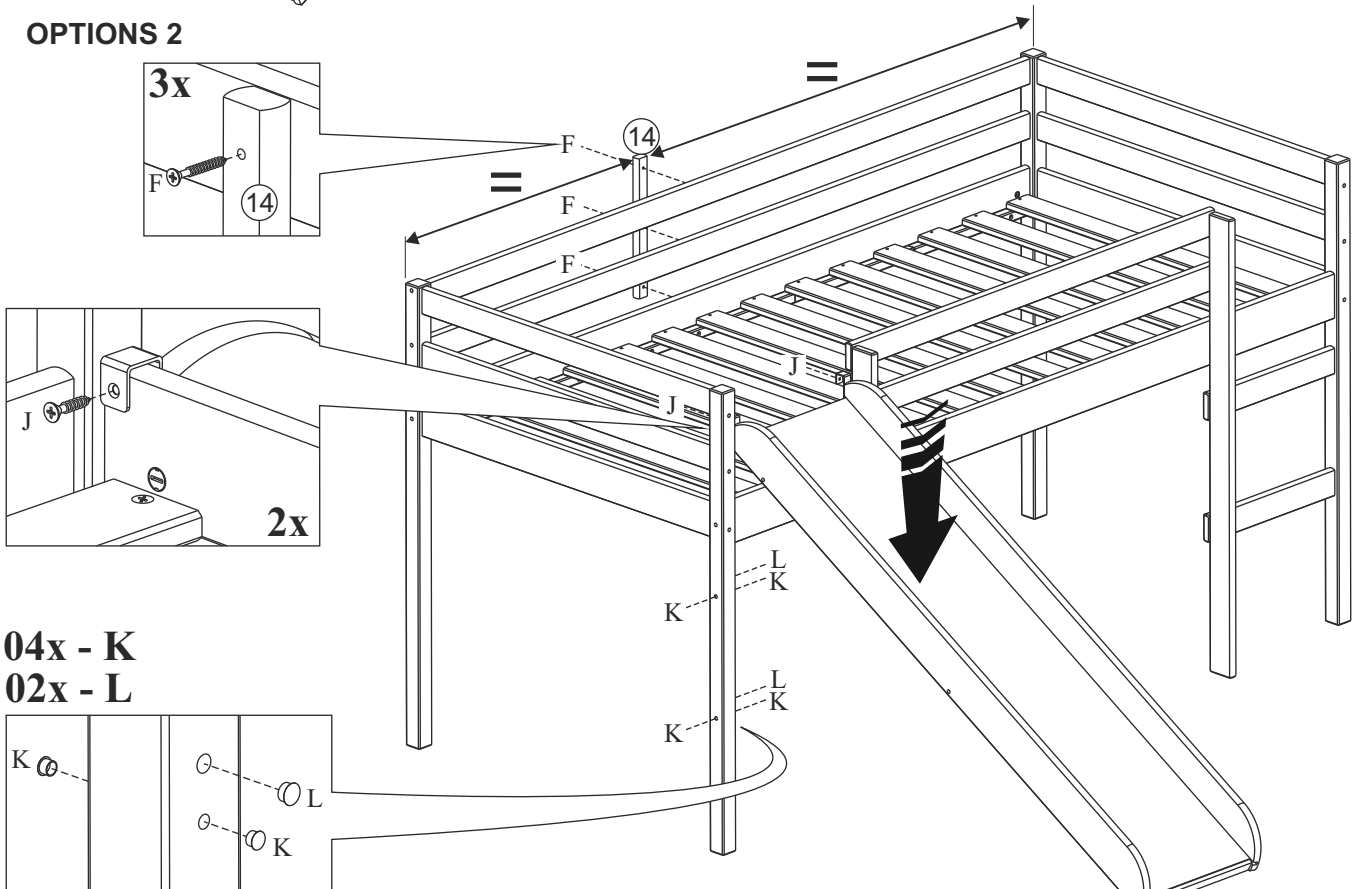
Use the K and K hole covers to close the extra holes.

**DO NOT use any power tools as this may damage the frame and will invalidate any claim**

Vendor: S000159



**OPTIONS 2**



For complete product information, images and dimension diagrams please visit [www.birlea.com](http://www.birlea.com)