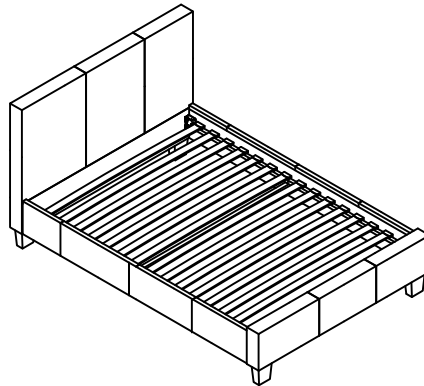


PRADO 3' BED ASSEMBLY INSTRUCTIONS



**FOR DOMESTIC USE ONLY
IMPORTANT**

PLEASE READ BEFORE YOU CONTINUE FURTHER

THE PRODUCT YOU HAVE PURCHASED WILL GIVE YOU MANY YEARS OF SERVICE IF YOU FOLLOW THE GUIDELINES FOR ITS SAFE ASSEMBLY AND PERIODIC MAINTENANCE AND CLEANING.

ASSEMBLE ON A SOFT CLEAN SURFACE.

DO NOT USE ANY TOOLS OTHER THAN THOSE SHOWN.

ANY SPANNERS OR ALLEN KEYS REQUIRED ARE INCLUDED WITH THE FITTINGS KIT.

DO NOT FOR ANY REASON USE A POWER TOOL TO ASSEMBLE THIS PRODUCT. ITS USE WILL INVALIDATE ANY CLAIM YOU MAY HAVE AND COULD MAKE THIS PRODUCT UNSAFE.

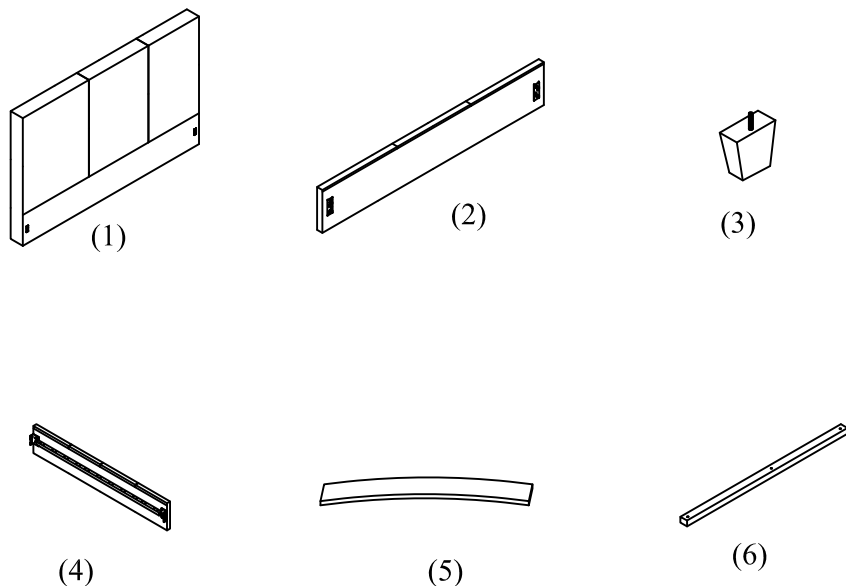
**DEPENDING ON THE AMOUNT OF USE THIS PRODUCT RECEIVES IT MAY BE NECESSARY TO TIGHTEN UP THE FIXINGS FROM TIME TO TIME. THIS IS COMPLETELY NORMAL FOR ANY FLAT PACK FURNITURE.
DO NOT OVERTIGHTEN FIXINGS.**

FOR CLEANING YOU MAY USE A DAMP CLOTH (NOT WET).

THIS PRODUCT MAY STAIN OR MARK IF ALLOWED TO COME INTO CONTACT WITH WET OR DAMP OBJECTS AS MATERIALS USED HAVE NOT BEEN TREATED WITH SCOTCH GUARD.

IMPORTANT BECAUSE OF THE SIZE OF THIS ITEM, WE RECOMMEND THAT IT IS BUILT IN THE ROOM OF INTENDED USE AND THAT IT IS ASSEMBLED BY TWO PEOPLE.

PARTS LIST



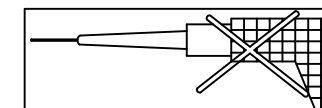
HARDWARE LIST

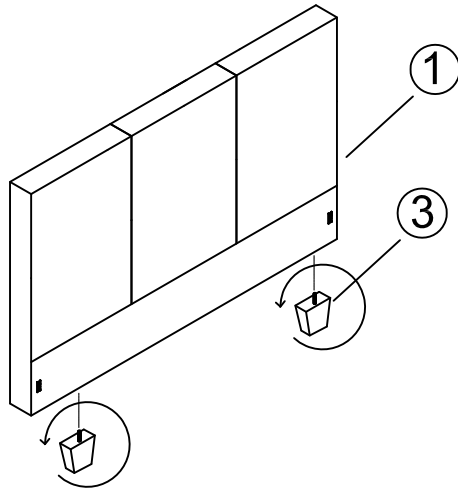
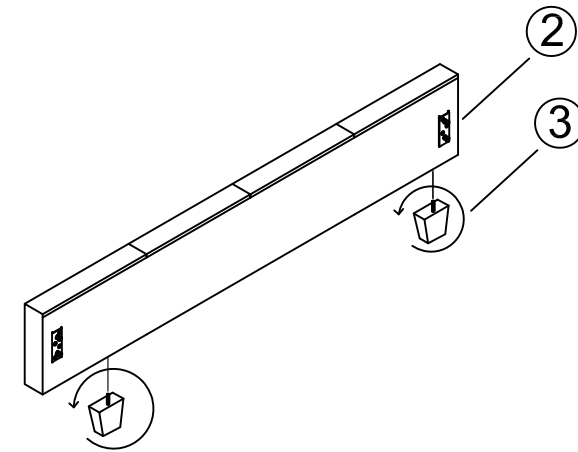
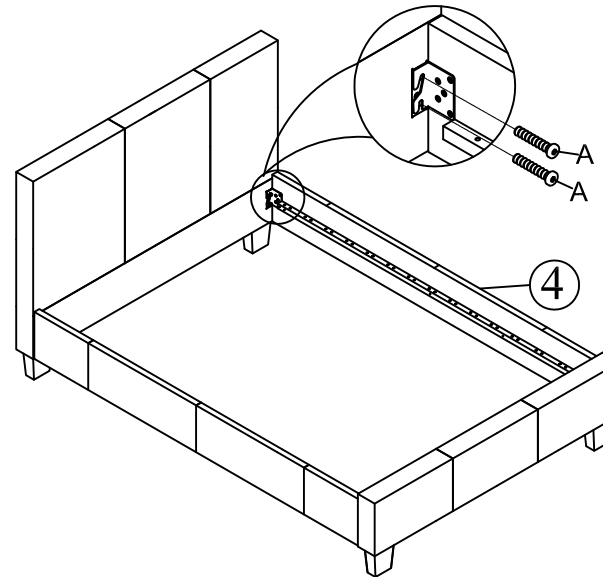
A		Ø5/16" x 25MM BOLT	8 PCS
B		5MM ALLEN KEY	1 PC
C		END CAP	28 PCS
D		Ø1/4" x 57MM BOLT	2 PCS
E		Ø1/4" BUTTERFLY NUT	2 PCS
F		Ø1/4" x 16MM WASHER	4 PCS
G		Ø1/4" SPRING WASHER	4 PCS
H		Ø1/4" x 16MM PLASTIC WASHER	2 PCS
I		4MM ALLEN KEY	1 PC
J		M3 x 9MM SCREW	28 PCS

1	HEADBOARD	1 PC
2	FOOTBOARD	1 PC
3	FEET	4 PCS
4	SIDE RAIL	2 PCS
5	WOODEN SLAT	14 PCS
6	CENTRE CROSS RAIL	1 PC

PLEASE CHECK THAT YOU HAVE ALL THE PARTS LISTED BEFORE YOU START ASSEMBLING. IF YOU DO FIND THAT SOMETHING IS MISSING, DO NOT CONTINUE ASSEMBLY. PLEASE CONTACT YOUR SUPPLIER IMMEDIATELY.

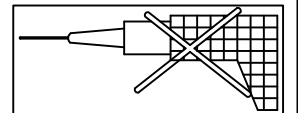
THE USE OF POWER TOOLS TO ASSEMBLE THIS PRODUCT WILL INVALIDATE ANY CLAIM AND MAY DAMAGE THIS PRODUCT MAKING IT UNSAFE

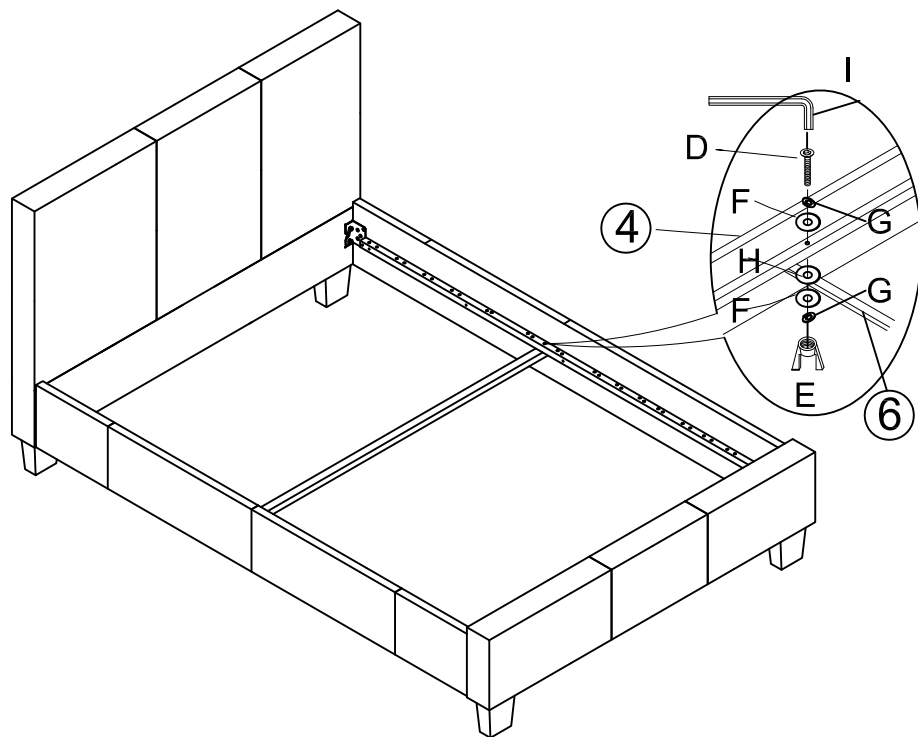


Step 1**Step 2****Step 3**

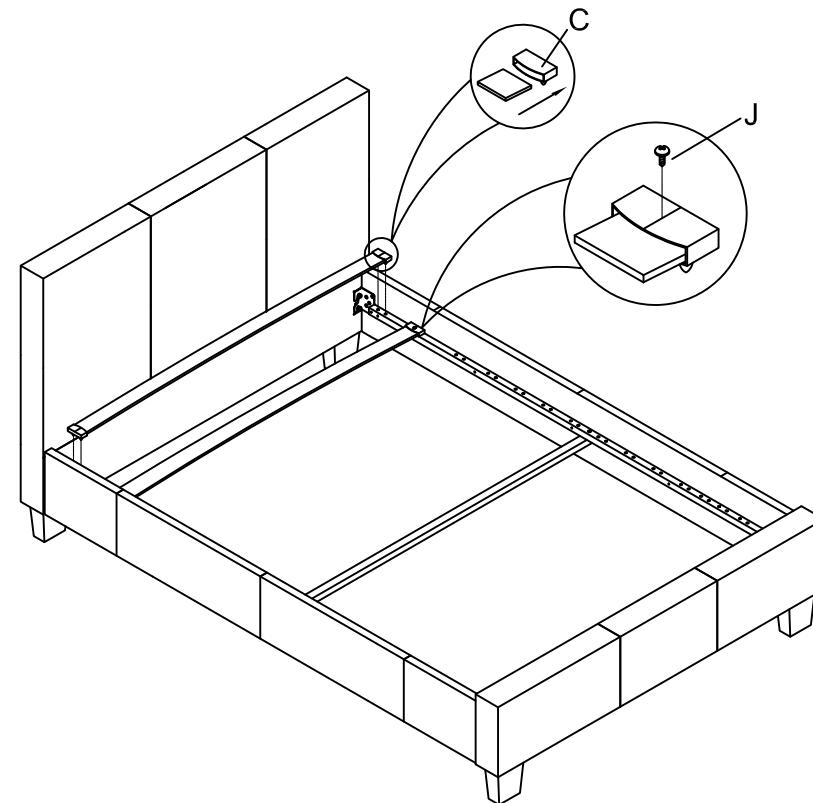
Attach the Side Rail (4) to the Headboard (1) and Footboard (2) using $\phi 5/16"$ x 25MM Bolt (A) and securely fasten.

THE USE OF POWER TOOLS TO ASSEMBLE THIS PRODUCT WILL INVALIDATE ANY CLAIM AND MAY DAMAGE THIS PRODUCT MAKING IT UNSAFE



Step 4

IMPORTANT NOTE:
ASSEMBLE THE CENTRE CROSS RAIL (6) TO THE SIDE RAIL (4)

Step 5**IMPORTANT NOTE:**

SLIDE THE END CAP (C) ONTO THE WOODEN SLAT (5) AND SECURE TO THE SIDE RAIL (4). REPEAT THIS OPERATION UNTIL ALL SLATS ARE ASSEMBLED TO THE BED.

ALWAYS REMEMBER, WHEN MOVING THE BED FOR CLEANING, ETC., LIFT THE BED WITH TWO PEOPLE. DO NOT SLIDE OR DRAG THE BED.

THE USE OF POWER TOOLS TO ASSEMBLE THIS PRODUCT WILL INVALIDATE ANY CLAIM AND MAY DAMAGE THIS PRODUCT MAKING IT UNSAFE

